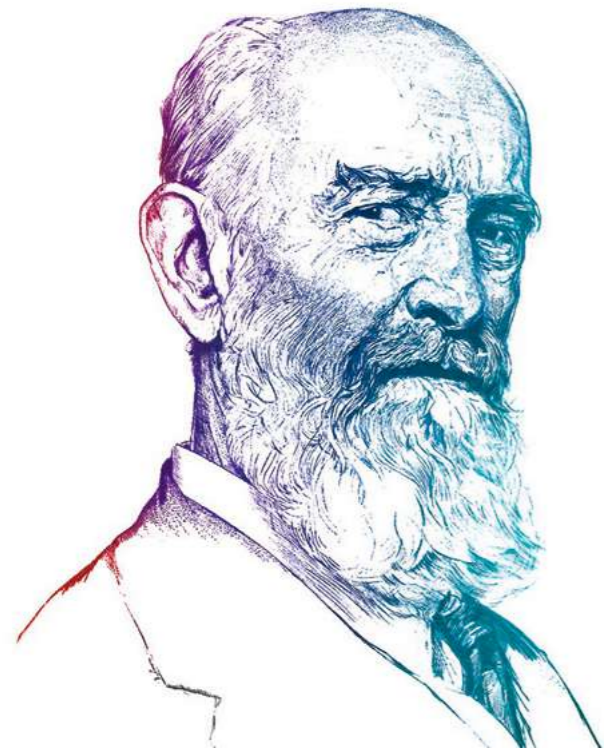




Built-in & Freestanding product brochure 2023

Who are Bosch?



“I have always acted according to the principle that it is better to lose money than trust. The integrity of my promises, the belief in the value of my products and in my word of honour have always had a higher priority to me than a transitory profit.”

Robert Bosch, 1921

For over 130 years, the Bosch name has been synonymous with engineering excellence. Our home appliances are renowned for their quality, reliability and performance which derives from our inherent, unflagging commitment and the painstaking thoroughness with which every unit is made. As you would expect from Bosch, there are no gimmicks or frills with our products – just pure, clean lines and beautiful, functional simplicity that will enhance any kitchen.

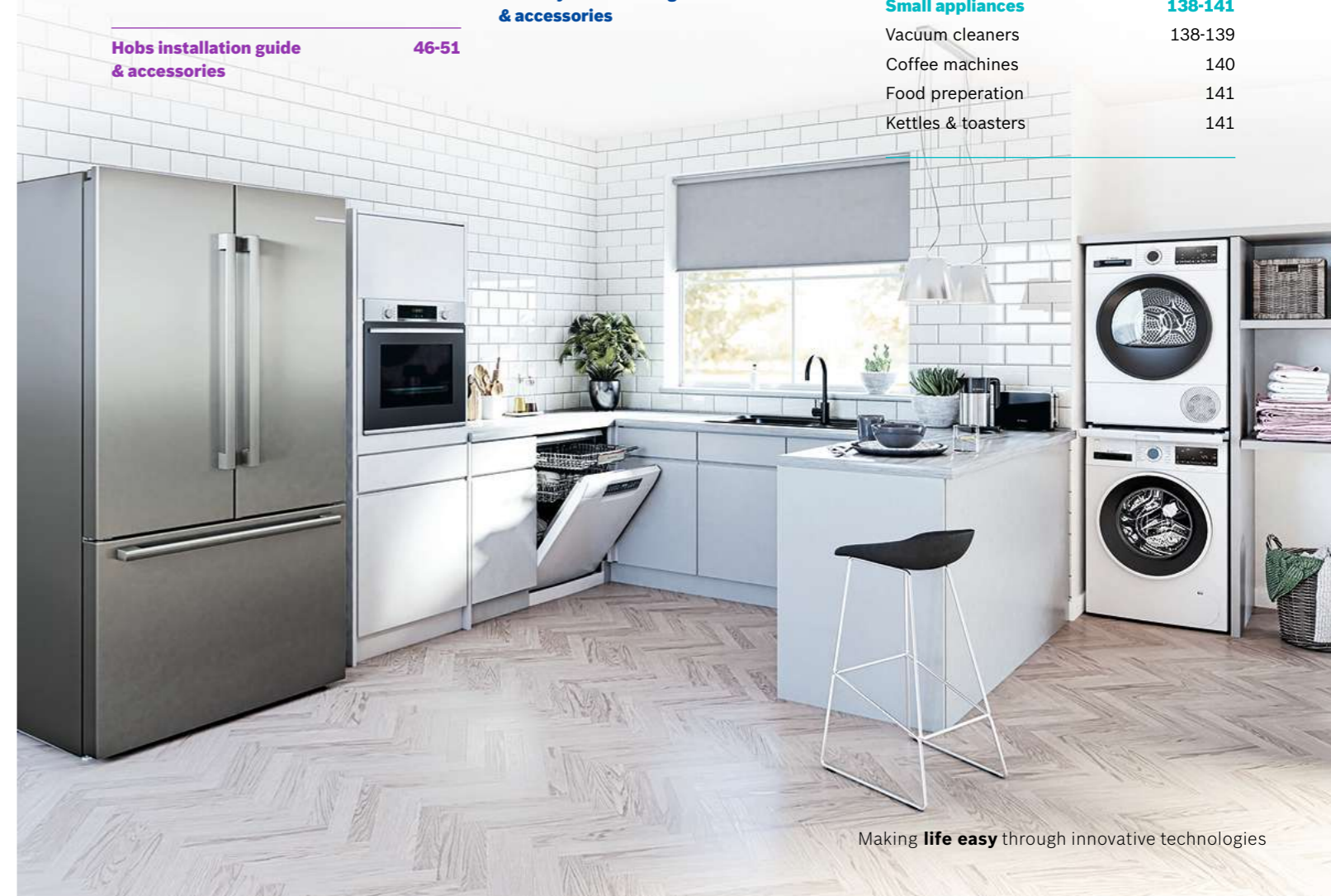
The values that shaped Robert Bosch's vision for his new company in 1886 are the same principles that guide the business today; never lose the trust of your customers, look after your staff and partners and change things for the better. It's what has kept Bosch at the forefront of the home appliance industry and what will keep it there in the future.

Follow us to learn more on:



Contents

| | | | | | |
|---|--------------|---|--------------|---|----------------|
| Customer service | 2-3 | Hoods | 52-67 | Dishwashers | 90-101 |
| Home Connect | 4-5 | Introducing the Bosch hood range | 52-53 | Introducing the Bosch dishwasher range | 90-93 |
| Ovens | 6-23 | Ceiling hoods | 54 | 60cm integrated dishwashers | 94-96 |
| Introducing the Bosch oven range | 6-9 | Island chimney hoods | 54 | 45cm integrated dishwashers | 97 |
| Single ovens | 10-13 | Integrated design hoods | 55 | 60cm freestanding dishwashers | 98-100 |
| Double ovens | 14-15 | Angled & flat hoods | 56-57 | 45cm & compact freestanding dishwashers | 101 |
| Compact ovens | 16-17 | Glass chimney hoods | 58-59 | Dishwasher installation guide & accessories | 102-103 |
| Microwave ovens | 18-21 | Box chimney hoods | 60-61 | Refrigeration | 104-133 |
| Warming drawers | 22 | Pyramid chimney hoods | 62-63 | Introducing the Bosch refrigeration range | 104-109 |
| Smart coffee centre | 23 | Canopy hoods | 64 | Integrated refrigeration | 110-117 |
| Ovens installation guide & accessories | 24-27 | Telescopic, integrated and built-under hoods | 65-67 | Wine coolers | 118 |
| Hobs | 28-45 | Hoods installation guide & accessories | 68-71 | Multi-door refrigeration | 120 |
| Introducing the Bosch hob range | 28-31 | Laundry | 72-87 | American refrigeration | 121 |
| Venting hobs | 32-33 | Introducing the Bosch laundry range | 72-78 | Freestanding refrigeration | 122-133 |
| Induction hobs | 34-38 | Washing machines | 79-83 | Refrigeration installation guide & accessories | 134-137 |
| Ceramic hobs | 39 | Washer Dryers | 84 | Small appliances | 138-141 |
| Gas hobs | 40-43 | Tumble Dryers | 85-87 | Vacuum cleaners | 138-139 |
| Domino hobs | 44 | Laundry installation guide & accessories | 88-89 | Coffee machines | 140 |
| Hobs installation guide & accessories | 46-51 | | | Food preparation | 141 |
| | | | | Kettles & toasters | 141 |



Bosch Customer Service



Customer Service

Trust Bosch Customer Service to help you with the following:

- Troubleshooting support and arranging a repair for your Bosch appliance
- Accessing your Bosch appliance's instruction manual and other documentation
- Registering your Bosch appliance and extending its warranty further
- Locating and purchasing spare parts, accessories and care products
- Support with product advice and choosing a new Bosch appliance

Visit us online at:

IE: www.bosch-home.ie/customer-service

Call us on:

IE: 01450 2655

Explore more at [bosch-home.ie](https://www.bosch-home.ie)

Our contact centre is open Monday to Friday between 8am and 10pm, Saturday and Sunday between 8am and 6pm, and Bank Holidays between 9am and 4pm. Calls are charged at the basic rate. Please check with your telephone service provider for exact charges.

Online Help and Support

You can visit our website for help and support with appliance troubleshooting, usage and maintenance, installation, getting started, helpful videos, and more.

Visit us online at:

IE: www.bosch-home.ie/customer-service/get-support

Repair Service

Our trained and qualified engineers repair large Bosch appliances at your home and small Bosch appliances in our workshop, and they are based locally around the UK. In some areas of the UK we use selected and approved service partners to carry out repairs on our behalf.

You can book a repair by calling our customer service team or alternatively you can book a repair online.

Visit us online at:

Ireland: www.bosch-home.ie/customer-service/repair-service

Warranty

All Bosch appliances are supplied with a Two Year Manufacturer's Warranty as standard, but did you know that you can also extend this warranty to a total of five years for added peace of mind with the Bosch Extended Warranty?

Learn more about your appliance's warranty and options to extend your warranty by speaking to our customer service team, or visit our website for more information.

Learn more online at:

IE: www.bosch-home.ie/customer-service/care-protection-and-parts/additional-warranties

Call us on:

IE: 01450 2655

Total
Excellence
+ Quality

Highly Commended 2021



Domestic
& General

Cookware, Accessories and Care Products

We offer a range of tested and approved cookware, accessories and care products to enhance your Bosch appliances and keep them working at their best for longer.

Shop online at:

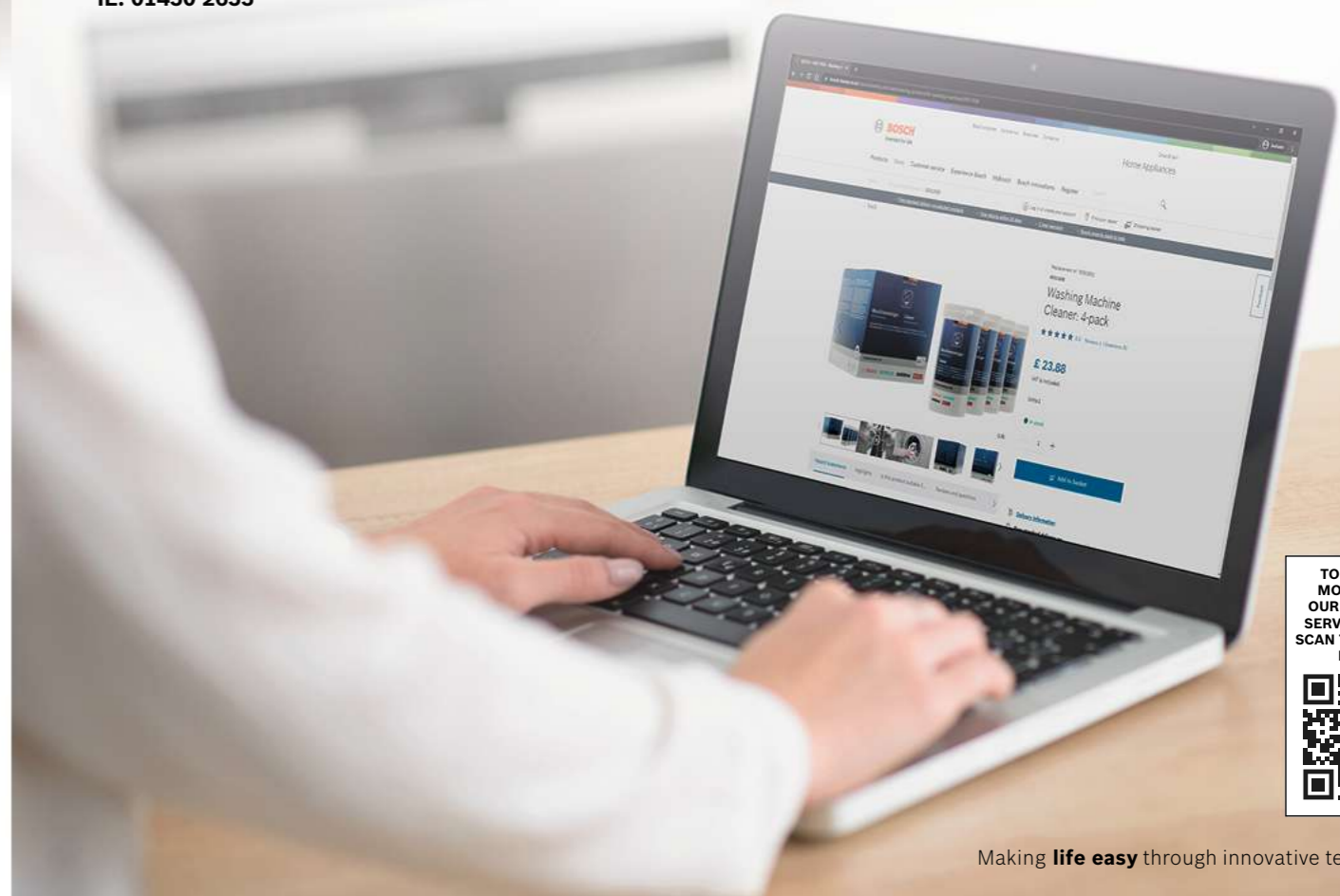
IE: <https://www.bosch-home.ie/store>

Spare Parts

Bosch keeps a comprehensive range of original replacement spare parts for up to 10 years. You can browse our exploded view diagrams and purchase spare parts on our website, or you can call our customer service team who can help you to find and purchase the spare parts you need.

Find spare parts online at:

IE: www.bosch-home.ie/customer-service/spare-parts-search



TO FIND OUT
MORE ABOUT
OUR CUSTOMER
SERVICE, PLEASE
SCAN THE QR CODE
BELOW:



Bosch appliances with Home Connect are designed to fit seamlessly into your regular daily routines, providing you with an easy solution to getting the most out of your appliances and giving you the comfort of control and monitoring from wherever you are.

Whether that be automatic replenishment, the help of an in-built expert to choose what cycle is best for your clothes and the environment, or voice control when your hands are busy. Home Connect is the ticket to ultimate personalisation.

When all is said and done

Use voice control with Alexa or Google Home, the quicker and more convenient way to get things done. Great for multi-tasking, when you're away from the kitchen or when your hands are full.



Personalise your control

Monitor the progress of your washing from the comfort of your sofa via your smartwatch, phone or ask for updates using voice control with Alexa or Google Home.

Why not try the app?

Experience it yourself: download the free Home Connect app and try Home Connect, even if you don't have an appliance.



Home Connect is a service offered by Home Connect GmbH. For more information on Home Connect please visit www.bosch-home.ie/specials/home-connect

Simple to set up, simple to use.

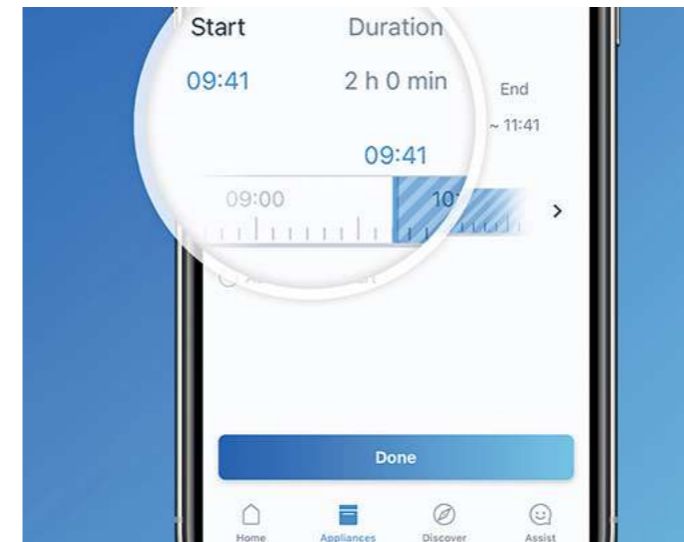
There's no need to worry if you're not a technical genius. We've made sure Home Connect is simple and straightforward to set up. If you do need a helping hand, you can call our Customer Service team on: **01450 2655** or email **service.uk@home-connect.co.uk**. You'll find the Home Connect app just as easy to use. Find an intuitive layout and lots of useful app articles to get the most out of your appliances and learn new skills.

Relax – we're invented for life.

Home Connect uses the same security protocol as online banking, so you can enjoy extra peace of mind when you're using your Bosch appliances. Our app has TUV Trusted App certification, and all of our Home Connect appliances are Wi-Fi certified by the Wi-Fi Alliance.



Look out for the Home Connect logo for more information on Home Connect features



Home Connect

Optimise your energy usage with Home Connect

The Home Connect app can help you be energy efficient. Use Home Connect, your voice assistant or smartwatch to control the start time of your appliances down to the minute, so you can avoid using energy at peak times and wash your dishes for less*.

*Cost will depend on your energy provider and contract. Available on selected models only.

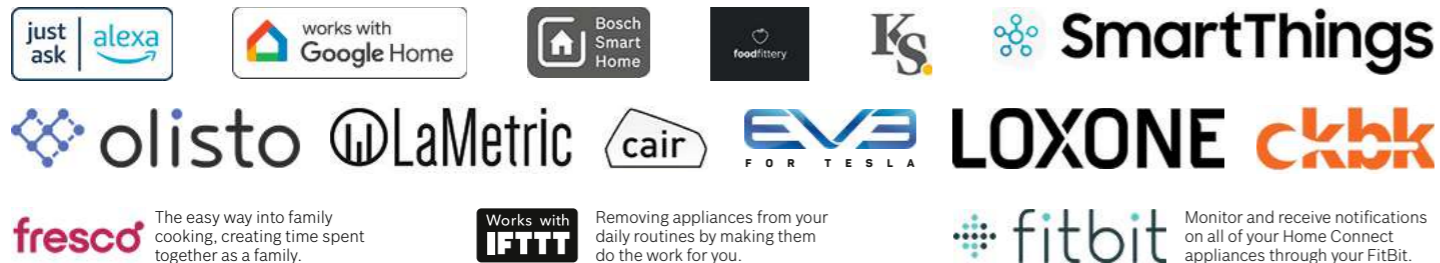
Never run out of dishwasher tablets again

Avoid running out of dishwasher tablets by linking your dishwasher to the Smart Finish service and automatically receive your tablets to your door when you're running low.

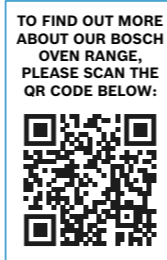
As an added bonus you'll also receive a free dishcare bundle when you first sign up.



Home Connect | in partnership with



Whatever kind of cook you are, we have a range of smart and stylish built-in single or double ovens for you to choose from. Serve up vitamin-packed meals using one of our innovative added steam ovens or, if limited on space, our easy-to-use microwaves and compact appliances will bring style and function to any kitchen.



Series 8

With their impressive technology, elegant design and sensor-controlled programmes, our **Series 8** ovens meet every need and more in the kitchen. The innovative control wheel provides full control over your dishes at all times.

Series 6

Simple elegance meets superior technology. **Series 6** ovens give you more than just convenient operation and modern functionality. Easy to use with various programmes to suit different foods, now available in stylish all-black design.

Series 4

Modern design, quality engineering and practicality. Our **Series 4** oven range looks stunning inside and out. Easy to use functionality with a selection of cooking programmes to choose from.



Model shown: HBG7784B1



Model shown: HRG579BB6B



Model shown: HRS574BS0B

Selecting the right oven and combination for your kitchen.

Whether you're designing a new kitchen or simply updating one of your appliances, we have a wide variety of cooking products available for you to choose from. Depending on the space you have in your kitchen, you can choose from a single product or combination.



Model shown: HBG7784B1



Model shown: MBA5785S6B



Model shown: NBS533BS0B



Model shown: CSG7584B1

Compact ovens with microwave



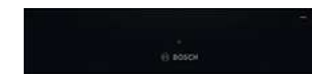
Model shown: CMG778NB1

Compact microwave combination ovens



Model shown: CMA585GB0B

Warming drawers



Model shown: BIC510NB0

Built-in coffee machine



Model shown: CTL7181B0

Cooking appliances can be arranged both horizontally and vertically, depending on the space you have in your kitchen.

Combination design.
Using the highest quality stainless steel and glass, our ovens and compact appliances combine beautifully to deliver a timeless, elegant and stylish finish to any kitchen with sleek, coordinated lines and matching panels.

Combination possibilities.
Create seamless lines in your kitchen with our Series ranges by combining a single oven together with one of our compact appliances and warming drawers. For the optimum in design co-ordination, choose appliances belonging to the same Series family to create harmonious lines in your kitchen.

Cooking functions explained.

Check model for available functions.

4D Hotair
Place your food on any of the four shelf levels to achieve consistently perfect results: thanks to the fan wheel that heat evenly on every level.

3D Hotair
By maintaining the right temperature across three shelf levels, consistently even cooking results are achieved.

Pyrolytic cleaning
Heats the oven to around 480°C, which reduces dirt and grease deposits to dust that can be easily wiped away.
(Available in selected models only)

Eco Clean Direct
Almost no cleaning is necessary thanks to a special coating of the rear wall that automatically absorbs grime.
(Available in selected models only)

Added Steam
Produces succulent roasts, with juicy meats and crispy skins, as well as breads with the perfect colour and crust.
(Available in selected models only)

PerfectBake
PerfectBake sensor offers precise sensitivity and constantly measures the moisture level of dishes, as well as automatically regulating the baking process.

Air Fry Function
Use the Air Fry Function for healthier and tastier meals. Almost no oil is needed, leaving your dishes crispy. Perfect for anything from vegetables to poultry. Recommended with Air Fry & Grill Tray.

Single point probe
The single point meat probe constantly measures the temperature at the core of the roast and as soon as the desired temperature is reached gives an acoustic and switches off automatically.
(Available in selected Series 6 models only)

PerfectRoast meat probe
Three highly sensitive measuring points determine the core temperature of your food to the exact degree, guaranteeing perfect roasting results and taking away the guesswork.
(Available in selected Series 8 models only)

Defrost
Gently defrosts food evenly and quicker than it would take on the kitchen counter.



Perfect results at your fingertips.

Check model for available functions.

TO FIND OUT MORE ABOUT OUR SERIES 8 OVEN RANGE, PLEASE SCAN THE QR CODE BELOW:



The easy way to healthy cooking results.

With their impressive technology, elegant design and crystal clear TFT touchDisplay, our new Series 8 ovens meet every need and more in the kitchen. The innovative Digital Control Ring engraved into the glass with TFT touchDisplay, provides convenience and functionality with full control over your dishes at all times. Plus, thanks to sensor-controlled programmes, you'll achieve perfect results every time.

Digital Control Ring with TFT touchDisplay

Clear, vivid images and info texts in the inner ring of the engraved Digital Control Ring assist you through each step, supported by the high-resolution, plain-text TFT touchscreen and integrated, directly selectable buttons.



Digital Control Ring with TFT touchDisplay Plus

Clear, vivid images and info texts in the inner ring of the engraved Digital Control Ring assist you through each step, supported by the full-surface, high-resolution, plain-text TFT touchscreen and directly selectable buttons.



Digital Control Ring with TFT touchDisplay Pro

Clear, vivid images and info texts in the inner ring of the engraved Digital Control Ring assist you through each step, supported by the 6.8-inch full-surface, high-resolution, plain-text TFT touchscreen and directly selectable buttons.



Perfect Steam

A precise sensor constantly measures the humidity level of your dishes and automatically regulates the steaming process. You'll never have to adjust the heating mode, cooking time or temperature again. Perfect Steam does it all.



Steam Function Plus

The new Steam Function Plus steams at a temperature of up to 120°C, your dishes are done faster and retain even more of their vitamins and nutrients.



PerfectBake

PerfectBake sensor offers precise sensitivity and constantly measures the moisture level of dishes, as well as automatically regulating the baking process.



PerfectRoast Meat probe

Three highly sensitive measuring points determine the core temperature of your food to the exact degree, guaranteeing perfect roasting results and taking away the guesswork.

(Available in selected Series 8 models only)



Air Fry Function

Use the Air Fry Function for healthier and tastier meals. Almost no oil is needed, leaving your dishes crispy. Perfect for anything from vegetables to poultry. Recommended with Air Fry & Grill Tray.



Pyrolytic Cleaning

Heats the oven to around 480°C, which reduces dirt and grease deposits to dust that can be easily wiped away.

(Available in selected models only)

Soft open & soft close

A special damping mechanism prevents oven doors from slamming shut. As you gently push the door shut, it stops just before closing and then shuts itself gently and quietly, thus guaranteeing a long life for both your oven and the oven door.

Level independent Telescopic Rails

Designed to clip to the standard factory fitted shelf support rails, that come as standard on selected models, they can be positioned independently on any of the 5 oven shelf positions in the main cavity in our Series 8 ovens.

Oven assistant

Find the perfect cooking programme, settings and duration for your dish every time with Home Connects Oven Assistant. Ensuring your meal is cooked to perfection with optimised energy use.



For full specification details, please log onto our website and download a full specification sheet.



| OVEN TYPE | PYROLYTIC | PYROLYTIC WITH MICROWAVE FUNCTION | PYROLYTIC WITH ADDED STEAM | PYROLYTIC |
|--|-----------|-----------------------------------|----------------------------|------------|
| DESIGN FAMILY | SERIES 8 | SERIES 8 | SERIES 8 | SERIES 8 |
| BRUSHED STEEL | - | - | - | - |
| BLACK | HBG7784B1 | HMG7764B1B | HRG7764B1B | HBG7764B1B |
| WHITE | - | - | - | - |
| KEY FEATURES | | | | |
| Control Wheel, TFT Touchdisplay & ClearText | Pro | Plus | Plus | Plus |
| Control dials / White LCD or Red LED Display | - | - | - | - |
| Electronic control | ● | ● | ● | ● |
| Soft close / open drop down door | ● | ● | ● | ● |
| Home Connect | ● | ● | ● | ● |
| BoschAssist | ● | - | ● | ● |
| PerfectBake Sensor | ● | ● | ● | ● |
| Automatic cooking programmes | 14 | 20 | 20 | 14 |
| Perfect Roast Multi-point temperature probe | ● | ● | ● | ● |
| Single-point temperature probe | - | - | - | - |
| Full steam | - | - | - | - |
| Air-Fryer | ● | ● | ● | ● |
| Pyrolytic self cleaning function | ● | ● | ● | ● |
| ecoClean® back / roof / side surfaces | - | - | - | - |
| ADDITIONAL PROGRAMMES / FUNCTIONS | | | | |
| Hotair: 3D / 4D | 4D | 4D | 4D | 4D |
| Conventional top & bottom heat / bottom heat only | ● | ● | ● | ● |
| Hotair / Conventional Gentle | ● | ● | ● | ● |
| Hotair grilling | ● | ● | ● | ● |
| Full width / Half width variable grill | ● | ● | ● | ● |
| Pizza Setting / Intensive Setting | ● / - | ● / - | ● | ● / - |
| Low temperature cooking | ● | ● | ● | ● |
| Defrost | ● | ● | ● | ● |
| Keep warm / Plate warming | ● | ● | ● | ● |
| Dehydrate | - | - | ● | - |
| Fast heat | ● | ● | ● | ● |
| PERFORMANCE / TECHNICAL INFORMATION | | | | |
| Oven capacity (L) | 71 | 71 | 71 | 71 |
| Energy efficiency index (%) ¹ | 81.2 | 81.2 | 87.1 | 81.2 |
| Energy efficiency class ¹ | A+ | A+ | A | A+ |
| Energy consumption per cycle Hotair (kWh) ¹ | 0.69 | 0.69 | 0.74 | 0.69 |
| Energy consumption per cycle conventional (kWh) ¹ | 0.87 | 0.87 | 0.90 | 0.87 |
| Time to cook standard load (mins.) ¹ | 42 | 42 | 44 | 42 |
| Largest baking sheet area (cm ²) | 1290 | 1290 | 1290 | 1290 |
| Total connected loading (W) | 3600 | 3600 | 3450 | 3600 |
| Cable length (cm) | 120 | 120 | 120 | 120 |
| Water tank capacity (L) | - | - | 1 | - |
| STANDARD ACCESSORIES | | | | |
| Wire Shelves / Full width enamelled pan | 2 / 1 | 2 / 1 | 2 / 1 | 2 / 1 |
| Two-piece slim pan set | - | - | - | - |
| Fixed level telescopic shelves | - | - | - | - |
| Level Independent telescopic rail | - | - | - | - |

● = Yes - = No

¹ According to Regulation (EU) No 65/2014 (models with integral microwave or steam only are exempt)

Data valid in this table as of April 2023. Subject to modification without prior notice.

| OVEN TYPE | PYROLYTIC | PYROLYTIC | PYROLYTIC | PYROLYTIC | PYROLYTIC |
|--|------------|------------|------------|------------|-------------|
| DESIGN FAMILY | SERIES 8 | SERIES 6 | SERIES 6 | SERIES 4 | SERIES 4 |
| BRUSHED STEEL | - | - | - | HRS574BS0B | HBS573BS0B* |
| BLACK | HBG7741B1B | HRG579BB6B | HBG579BB6B | - | HBS573BB0B* |
| WHITE | - | - | - | - | - |
| KEY FEATURES | | | | | |
| Control Wheel, TFT Touchdisplay & ClearText | ● | - | - | - | - |
| Control dials / White LCD or Red LED Display | - | ● / White | ● / White | ● / Red | ● / Red |
| Electronic control | ● | ● | ● | - | - |
| Soft close / open drop down door | ● | ● | ● | - | - |
| Home Connect | - | ● | ● | - | - |
| BoschAssist | - | - | - | - | - |
| PerfectBake Sensor | - | - | - | - | - |
| Automatic cooking programmes | 14 | 14 | 13 | 8 | 5 |
| Perfect Roast Multi-point temperature probe | - | - | - | - | - |
| Single-point temperature probe | - | - | - | - | - |
| Full steam | - | - | - | - | - |
| Air-Fryer | ● | - | - | - | - |
| Pyrolytic self cleaning function | ● | ● | ● | ● | ● |
| ecoClean® back / roof / side surfaces | - | - | - | - | - |
| ADDITIONAL PROGRAMMES / FUNCTIONS | | | | | |
| Hotair: 3D / 4D | - | 3D | 3D | 3D | 3D |
| Conventional top & bottom heat / bottom heat only | ● | ● | ● | ● | ● / - |
| Hotair / Conventional Gentle | ● | ● | - | - | ● |
| Hotair grilling | ● | ● | ● | ● | ● |
| Full width / Half width variable grill | ● | ● | - | - | - |
| Pizza Setting / Intensive Setting | ● / - | ● | ● | ● | - |
| Low temperature cooking | ● | ● | ● | - | - |
| Defrost | ● | ● | ● | - | - |
| Keep warm / Plate warming | ● | - | - | - | - |
| Dehydrate | - | - | - | - | - |
| Fast heat | ● | ● | - | - | ● |
| PERFORMANCE / TECHNICAL INFORMATION | | | | | |
| Oven capacity (L) | 71 | 71 | 71 | 71 | 71 |
| Energy efficiency index ¹ | 81.2 | 95.3 | 95.3 | 95.3 | 95.3 |
| Energy efficiency class ¹ | A+ | A | A | A | A |
| Energy consumption per cycle Hotair (kWh) ¹ | 0.69 | 0.81 | 0.81 | 0.81 | 0.81 |
| Energy consumption per cycle conventional (kWh) ¹ | 0.87 | 0.99 | 0.99 | 0.99 | 0.99 |
| Time to cook standard load (mins.) ¹ | 42 | 49.5 | 49.5 | 49.5 | 50 |
| Largest baking sheet area (cm ²) | 1290 | 1290 | 1290 | 1290 | 1290 |
| Total connected loading (W) | 3600 | 3600 | 3600 | 2990 | 2990 |
| Cable length (cm) | 120 | 120 | 120 | 120 | 120 |
| Water tank capacity (L) | - | 0.2 | 0.2 | 0.2 | - |
| STANDARD ACCESSORIES | | | | | |
| Wire Shelves / Full width enamelled pan | 2 / 1 | 2 / 1 | 2 / 1 | 2 / 1 | 2 / 1 |
| Two-piece slim pan set | - | - | ● | - | ● |
| Fixed level telescopic shelves | - | - | - | - | - |
| Level Independent telescopic rail | - | - | - | - | - |

● = Yes - = No

¹ According to Regulation (EU) No 65/2014 (models with integral microwave or steam only are exempt)

Data valid in this table as of April 2023. Subject to modification without prior notice.



| OVEN TYPE | FULL STEAM OVEN | FULL STEAM OVEN | STANDARD |
|--|-----------------|-----------------|------------|
| DESIGN FAMILY | SERIES 8 | SERIES 8 | SERIES 8 |
| BRUSHED STEEL | - | - | - |
| BLACK | HSG7584B1 | HSG7364B1B | HBG7341B1B |
| WHITE | - | - | - |
| KEY FEATURES | | | |
| Control Wheel, TFT Touchdisplay & ClearText | Pro | Plus | ● |
| Control dials / White LCD or Red LED Display | - | - | - |
| Electronic control | ● | ● | ● |
| SoftClose / SoftOpen drop down door | ● | ● | ● |
| Home Connect | ● | ● | - |
| BoschAssist | ● | - | - |
| PerfectBake Sensor | ● | ● | - |
| Automatic cooking programmes | 23 | 21 | 14 |
| Perfect Roast Multi-point temperature probe | ● | ● | - |
| Single-point temperature probe | - | - | - |
| Added steam function | ● | ● | - |
| Air-Fryer | ● | ● | - |
| Pyrolytic self cleaning function | - | - | - |
| ecoClean® back / roof / side surfaces | - | - | ● |
| ADDITIONAL PROGRAMMES / FUNCTIONS | | | |
| Hotair: 3D / 4D | 4D | 4D | 3D |
| Conventional top & bottom heat / bottom heat only | ● | ● | ● |
| Hotair / Conventional Gentle | ● | ● | ● |
| Hotair grilling | ● | ● | ● |
| Full width / Half width variable grill | ● | ● | ● |
| Pizza Setting / Intensive Setting | ● | ● | ● |
| Low temperature cooking | ● | ● | ● |
| Defrost | ● | ● | ● |
| Keep warm / Plate warming | ● | ● | ● |
| Dehydrate | - | - | - |
| Fast heat | ● | ● | ● |
| PERFORMANCE / TECHNICAL INFORMATION | | | |
| Oven capacity (L) | 71 | 71 | 71 |
| Energy efficiency index ¹ | 81.2 | 81.2 | 81.2 |
| Energy efficiency class ¹ | A+ | A+ | A+ |
| Energy consumption per cycle Hotair (kWh) ¹ | 0.69 | 0.69 | 0.69 |
| Energy consumption per cycle conventional (kWh) ¹ | 0.87 | 0.87 | 0.87 |
| Time to cook standard load (mins.) ¹ | 42 | 42 | 42 |
| Largest baking sheet area (cm ²) | 1290 | 1290 | 1290 |
| Total connected loading (W) | 3600 | 3600 | 3600 |
| Cable length (cm) | 120 | 120 | 120 |
| Water tank capacity (L) | - | - | - |
| STANDARD ACCESSORIES | | | |
| Wire Shelves / Full width enamelled pan | 2 / 1 | 2 / 1 | 2 / 1 |
| Two-piece slim pan set | - | - | - |
| Fixed level telescopic shelves | - | - | - |
| Level Independent telescopic rail | - | - | - |

● = Yes - = No

¹According to Regulation (EU) No 65/2014 (models with integral microwave or steam only are exempt)

Data valid in this table as of April 2023. Subject to modification without prior notice.

| OVEN TYPE | STANDARD | STANDARD | STANDARD |
|--|------------|------------|------------|
| DESIGN FAMILY | SERIES 6 | SERIES 4 | SERIES 4 |
| BRUSHED STEEL | - | HRS534BS0B | HBS534BS0B |
| BLACK | HBG539BB6B | - | HBS534BB0B |
| WHITE | - | - | HBS534BW0B |
| KEY FEATURES | | | |
| Control Wheel, TFT Touchdisplay & ClearText | - | - | - |
| Control dials / White LCD or Red LED Display | ● / White | ● / Red | ● / Red |
| Electronic control | ● | ● | - |
| SoftClose / SoftOpen drop down door | ● | - | - |
| Home Connect | ● | - | - |
| BoschAssist | - | - | - |
| PerfectBake Sensor | - | - | - |
| Automatic cooking programmes | 13 | 8 | 7 |
| Perfect Roast Multi-point temperature probe | - | - | - |
| Single-point temperature probe | - | - | - |
| Added steam function | - | ● | - |
| Air-Fryer | - | - | - |
| Pyrolytic self cleaning function | - | - | - |
| ecoClean® back / roof / side surfaces | ● | ● | ● |
| ADDITIONAL PROGRAMMES / FUNCTIONS | | | |
| Hotair: 3D / 4D | 3D | 3D | 3D |
| Conventional top & bottom heat / bottom heat only | ● | ● | ● |
| Hotair / Conventional Gentle | ● | ● | ● |
| Hotair grilling | ● | ● | ● |
| Full width / Half width variable grill | - | - | - |
| Pizza Setting / Intensive Setting | ● | ● | ● |
| Low temperature cooking | ● | - | - |
| Defrost | ● | - | - |
| Keep warm / Plate warming | - | - | - |
| Dehydrate | - | - | - |
| Fast heat | ● | - | - |
| PERFORMANCE / TECHNICAL INFORMATION | | | |
| Oven capacity (L) | 71 | 71 | 71 |
| Energy efficiency index ¹ | 95.3 | 95.3 | 95.3 |
| Energy efficiency class ¹ | A | A | A |
| Energy consumption per cycle Hotair (kWh) ¹ | 0.81 | 0.81 | 0.81 |
| Energy consumption per cycle conventional (kWh) ¹ | 0.97 | 0.97 | 0.97 |
| Time to cook standard load (mins.) ¹ | 50 | 43 | 50 |
| Largest baking sheet area (cm ²) | 1290 | 1290 | 1290 |
| Total connected loading (W) | 3600 | 2990 | 2990 |
| Cable length (cm) | 120 | 120 | 120 |
| Water tank capacity (L) | - | 0.2 | - |
| STANDARD ACCESSORIES | | | |
| Wire Shelves / Full width enamelled pan | 2 / 1 | 2 / 1 | 2 / 1 |
| Two-piece slim pan set | ● | - | ● |
| Fixed level telescopic shelves | - | - | - |
| Level Independent telescopic rail | - | - | - |

● = Yes - = No

¹According to Regulation (EU) No 65/2014 (models with integral microwave or steam only are exempt)

Data valid in this table as of April 2023. Subject to modification without prior notice.



| OVEN TYPE | BUILT-IN DOUBLE | | BUILT-IN DOUBLE | | BUILT-IN DOUBLE | |
|--|-----------------|-------|-----------------|-------|-----------------|-------|
| DESIGN FAMILY | SERIES 6 | | SERIES 6 | | SERIES 6 | |
| BRUSHED STEEL | MBA5785S6B | | MBA5575S0B | | MBA5350S0B | |
| BLACK | - | | - | | - | |
| WHITE | - | | - | | - | |
| KEY FEATURES | Main | 2nd | Main | 2nd | Main | 2nd |
| Control dials / White LCD or Red LED Display | ● / White | - | ● / White | - | ● / White | - |
| Electronic control | ● | ● | - | - | - | - |
| Automatic cooking programmes | 10 | 4 | 7 | 4 | 5 | 4 |
| Single-point temperature probe | ● | - | ● | - | - | - |
| Pyrolytic self cleaning function | ● | ● | - | - | - | - |
| ecoClean® back / roof / side surfaces | - | - | ● | ● | ● | ● |
| ADDITIONAL PROGRAMMES / FUNCTIONS | Main | 2nd | Main | 2nd | Main | 2nd |
| 3D Hotair | ● | - | ● | - | ● | - |
| Hotair Gentle | ● | - | ● | - | ● | - |
| Defrost | ● | - | - | - | - | - |
| Pizza Setting | ● | - | ● | - | - | - |
| Conventional top & bottom heat / bottom heat only | ● | ● | ● | ● | ● / - | ● |
| Full width variable grill | ● | ● | ● | ● | ● | ● |
| Half width variable grill | - | ● | - | ● | - | ● |
| Hotair grilling | ● | - | ● | - | ● | - |
| Low temperature cooking | ● | - | - | - | - | - |
| Keep warm | ● | - | - | - | - | - |
| Fast heat | ● | - | ● | - | ● | - |
| PERFORMANCE / TECHNICAL INFORMATION | Main | 2nd | Main | 2nd | Main | 2nd |
| Oven capacity (L) | 71 | 34 | 71 | 34 | 71 | 34 |
| Energy efficiency index ¹ | 95.3 | 120.3 | 95.3 | 120.3 | 95.3 | 120.3 |
| Energy efficiency class ¹ | A | B | A | B | A | B |
| Energy consumption per cycle Hotair (kWh) ¹ | 0.81 | - | 0.81 | - | 0.81 | - |
| Energy consumption per cycle conventional (kWh) ¹ | 1.02 | 0.83 | 1.02 | 0.83 | 1.02 | 0.83 |
| Time to cook standard load (mins.) ¹ | 44 | 44 | 44 | 44 | 44 | 44 |
| Largest baking sheet area (cm ²) | 1290 | | 1290 | | 1290 | |
| Total connected loading (W) | 6300 | | 5900 | | 5900 | |
| STANDARD ACCESSORIES | | | | | | |
| Wire Shelves / Full width enamelled pan | 3 / 1 | | 3 / 1 | | 3 / 1 | |
| Two-piece slim pan set | - | | - | | - | |
| Level Independent telescopic rail | 1 Pair | - | 1 Pair | - | 1 Pair | - |
| Two-piece slim pan set | - | | - | | - | |

● = Yes - = No
¹ According to Regulation (EU) No 65/2014 (models with integral microwave or steam only are exempt)
Data valid in this table as of April 2023. Subject to modification without prior notice.

| OVEN TYPE | BUILT-IN DOUBLE | | BUILT-UNDER DOUBLE | |
|--|-----------------|-------|--------------------|-------|
| DESIGN FAMILY | SERIES 4 | | SERIES 4 | |
| BRUSHED STEEL | MBS533BS0B | | NBS533BS0B | |
| BLACK | MBS533BB0B | | NBS533BB0B | |
| WHITE | MBS533BW0B | | - | |
| KEY FEATURES | Main | 2nd | Main | 2nd |
| Control dials / White LCD or Red LED Display | ● / Red | - | ● / Red | - |
| Electronic control | - | - | - | - |
| Automatic cooking programmes | 5 | 3 | 5 | 3 |
| Single-point temperature probe | - | - | - | - |
| Pyrolytic self cleaning function | - | - | - | - |
| ecoClean® back / roof / side surfaces | ● | - | ● | - |
| ADDITIONAL PROGRAMMES / FUNCTIONS | Main | 2nd | Main | 2nd |
| 3D Hotair | ● | - | ● | - |
| Hotair Gentle | ● | - | ● | - |
| Defrost | - | - | - | - |
| Pizza Setting | - | - | - | - |
| Conventional top & bottom heat / bottom heat only | ● / - | ● / - | ● / - | ● / - |
| Full width variable grill | ● | ● | ● | ● |
| Half width variable grill | - | ● | - | ● |
| Hotair grilling | ● | - | ● | - |
| Low temperature cooking | - | - | - | - |
| Keep warm | - | - | - | - |
| Fast heat | ● | - | ● | - |
| PERFORMANCE / TECHNICAL INFORMATION | Main | 2nd | Main | 2nd |
| Oven capacity (L) | 71 | 34 | 47 | 34 |
| Energy efficiency index ¹ | 95.3 | 120.3 | 94.7 | 120.3 |
| Energy efficiency class ¹ | A | B | A | B |
| Energy consumption per cycle Hotair (kWh) ¹ | 0.81 | - | 0.71 | - |
| Energy consumption per cycle conventional (kWh) ¹ | 1.02 | 0.83 | 0.80 | 0.83 |
| Time to cook standard load (mins.) ¹ | 44 | 44 | 45 | 44 |
| Largest baking sheet area (cm ²) | 1290 | | 1290 | |
| Total connected loading (W) | 5900 | | 5300 | |
| STANDARD ACCESSORIES | | | | |
| Wire Shelves / Full width enamelled pan | 3 / 1 | | 2 / 1 | |
| Two-piece slim pan set | ● | | ● | |
| Level Independent telescopic rail | - | - | - | - |
| Two-piece slim pan set | 2 | | 2 | |

● = Yes - = No
¹ According to Regulation (EU) No 65/2014 (models with integral microwave or steam only are exempt)
Data valid in this table as of April 2023. Subject to modification without prior notice.



| OVEN TYPE | MF OVEN WITH STEAM | MF OVEN WITH STEAM | MF PYROLYTIC OVEN WITH MICROWAVE | MF PYROLYTIC OVEN WITH MICROWAVE |
|---|--------------------|--------------------|----------------------------------|----------------------------------|
| DESIGN FAMILY | SERIES 8 | SERIES 8 | SERIES 8 | SERIES 8 |
| BRUSHED STEEL | - | - | - | - |
| BLACK | CSG7584B1 | CSG7361B1 | CMG778NB1 | CMG7761B1B |
| KEY FEATURES | | | | |
| Control Wheel, TFT Touchdisplay & ClearText | Pro | Plus | Pro | Plus |
| Control dials / White LCD or Red LED Display | - | - | - | - |
| Electronic control | ● | ● | ● | ● |
| Soft Close / Soft Open drop down door | ● | ● | ● | ● |
| Home Connect | ● | ● | ● | ● |
| BoschAssist | ● | ● | ● | ● |
| Automatic cooking programmes | 23 | 21 | 22 | 20 |
| Pyrolytic self cleaning function | - | - | - | - |
| ecoClean® back / roof / side surfaces | ● | ● | - | - |
| PROGRAMMES / FUNCTIONS | | | | |
| Hotair | ● | ● | ● | ● |
| Hotair Gentle | ● | ● | ● | ● |
| Conventional top & bottom heat / Bottom heat only | ● | ● | ● | ● |
| Hotair grilling | ● | ● | ● | ● |
| Full / half width variable grill | ● | ● | ● | ● |
| Pizza Setting | ● | ● | ● | ● |
| Low temperature cooking | ● | ● | ● | ● |
| Keep warm / Plate warming | ● | ● | ● | ● |
| Microwave | - | - | ● | ● |
| Microwave combined with Hotair, Top & bottom heat, Hotair Grilling, Grill | - | - | ● | ● |
| Microwave combined with Hotair / Grill | - | - | ● | ● |
| Microwave combined with Hotair Grilling | - | - | ● | - |
| 100% steam | ● | ● | - | - |
| Added Steam option | ● | ● | - | - |
| Fast heat | ● | ● | ● | - |
| PERFORMANCE / TECHNICAL INFORMATION | | | | |
| Oven capacity (L) | 47 | 47 | 45 | 45 |
| Energy efficiency index ¹ | 81.3 | 81.3 | 81.3 | - |
| Energy efficiency class ¹ | A+ | A+ | A+ | - |
| Energy consumption per cycle Hotair (kWh) ¹ | 0.61 | 0.61 | 0.61 | - |
| Energy consumption per cycle conventional (kWh) ¹ | 0.79 | 0.79 | 0.79 | - |
| Time to cook standard load (mins.) ¹ | 42 | 42 | 42 | - |
| Largest baking sheet area (cm ²) | 1290 | 1290 | 1290 | 1290 |
| Installation in tall housing / under work surface | ● | ● | ● | ● |
| Inverter technology ² | - | - | - | ● |
| Maximum Microwave Power in W3 / No. of power levels | - | - | - | 900 / 5 |
| Turntable diameter (mm) | - | - | - | - |
| Total connected loading (W) | 3300 | 3300 | 3300 | 3650 |
| Cable length (cm) | 120 | 120 | 120 | 120 |
| Water tank capacity (L) | 1 | 1 | 1 | - |
| STANDARD ACCESSORIES | | | | |
| Wire Shelves / Full width enamelled pan | 1 / 1 | 1 / 1 | 1 / 1 | 1 / 1 |
| Steam trays | 3 | 3 | - | - |

● = Yes - = No
¹ Measured according to the EN50304, 65/2014
² For further information on inverter technology, please go to www.bosch-home.ie/https://media3.bosch-home.com/Documents/MCDOC03402966_BOSCH_microwave_details_19.pdf
 For Inverter models, the maximum setting offers a time limited boost option for heating liquids. To ensure optimal results and to protect the appliance, the microwave power output is reduced in stages over the first few minutes down to the next power level (600W). After a cooling period, the microwave boost option will be available once more.
 Ovens with integral microwave – When teamed with a single oven, Bosch compact ovens with microwave offer a great alternative to a double oven if you require more space for traditional cooking. Designed first and foremost to function as an oven, with construction, features and functions identical to a traditional single oven, these models benefit from the addition of microwaves at low medium power (max 360W) to deliver oven-led combination cooking, which speeds up the cooking process while retaining traditional cooking results.
 Microwave Combination Ovens – These models are designed to provide more functionality than a solo microwave oven, focussing on combination cooking, with the microwave using higher power (max. 600W) to lead the cooking process, supported by Hotair or grill functions to deliver speedy crisp and browned results. Based around a more traditional microwave functionality these models offer the perfect solution if regular microwave heating is the priority, but with the back-up of separate or combination Hotair cooking and grill functionality if required. These models are designed to operate best in combination mode, so when heating using microwave only, it may be necessary to adjust cooking times. **Data valid in this table as of April 2023.** Subject to modification without prior notice.

| OVEN TYPE | MF OVEN WITH MICROWAVE | MF OVEN WITH MICROWAVE | MW COMBINATION OVEN | MW COMBINATION OVEN |
|---|------------------------|------------------------|---------------------|---------------------|
| DESIGN FAMILY | SERIES 8 | SERIES 8 | SERIES 6 | SERIES 4 |
| BRUSHED STEEL | - | - | - | CMA583MS0B |
| BLACK | CMG7361B1B | CMG7241B1B | CMA585GB0B | CMA583MB0B |
| KEY FEATURES | | | | |
| Control Wheel, TFT Touchdisplay & ClearText | Plus | ● | - | - |
| Control dials / White LCD or Red LED Display | - | - | ● / White | ● / Red |
| Electronic control | ● | ● | ● | ● |
| Soft Close / Soft Open drop down door | ● | ● | ● | - |
| Home Connect | ● | ● | - | - |
| BoschAssist | ● | - | - | - |
| Automatic cooking programmes | 20 | 16 | 15 | 15 |
| Pyrolytic self cleaning function | - | - | - | - |
| Eco Clean® back / roof / side surfaces | ● / - / - | - | - | - |
| PROGRAMMES / FUNCTIONS | | | | |
| Hotair | ● | ● | ● | ● |
| Hotair Gentle | ● | ● | - | - |
| Conventional top & bottom heat / Bottom heat only | ● | ● | - | - |
| Hotair grilling | ● | ● | - | - |
| Full / half width variable grill | ● | ● | ● / - | ● / - |
| Pizza Setting | ● | - | - | ● |
| Low temperature cooking | ● | - | - | - |
| Keep warm / Plate warming | ● | - | ● | - |
| Microwave | ● | ● | ● | ● |
| Microwave combined with Hotair, Top & bottom heat, Hotair Grilling, Grill | ● | - | - | - |
| Microwave combined with Hotair / Grill | - | ● / - | ● | ● |
| Microwave combined with Hotair Grilling | - | ● | ● | - |
| 100% steam | - | - | - | - |
| Added Steam option | - | - | - | - |
| Fast heat | ● | ● | ● | ● |
| PERFORMANCE / TECHNICAL INFORMATION | | | | |
| Oven capacity (L) | 45 | 45 | 44 | 44 |
| Energy efficiency index ¹ | - | - | - | - |
| Energy efficiency class ¹ | - | - | - | - |
| Energy consumption per cycle Hotair (kWh) ¹ | - | - | - | - |
| Energy consumption per cycle conventional (kWh) ¹ | - | - | - | - |
| Time to cook standard load (mins.) ¹ | - | - | - | - |
| Largest baking sheet area (cm ²) | 1290 | 1290 | - | - |
| Installation in tall housing / under work surface | ● | ● | ● | ● |
| Inverter technology ² | ● | ● | - | - |
| Maximum Microwave Power in W3 / No. of power levels | 900 / 5 | 900 / 5 | 900 / 5 | 900 / 5 |
| Turntable diameter (mm) | - | - | - | 360 |
| Total connected loading (W) | 3650 | 3650 | 3350.120 | 3350 |
| Cable length (cm) | 120 | 120 | 180 | 180 |
| Water tank capacity (L) | - | - | - | - |
| STANDARD ACCESSORIES | | | | |
| Wire Shelves / Full width enamelled pan | 2 / 1 | 2 / 1 | Wire Rack | 2 wire racks |
| Steam trays | - | - | - | - |

● = Yes - = No
¹ Measured according to the EN50304, 65/2014
² For further information on inverter technology, please go to www.bosch-home.ie/https://media3.bosch-home.com/Documents/MCDOC03402966_BOSCH_microwave_details_19.pdf
 For Inverter models, the maximum setting offers a time limited boost option for heating liquids. To ensure optimal results and to protect the appliance, the microwave power output is reduced in stages over the first few minutes down to the next power level (600W). After a cooling period, the microwave boost option will be available once more.
 Ovens with integral microwave – When teamed with a single oven, Bosch compact ovens with microwave offer a great alternative to a double oven if you require more space for traditional cooking. Designed first and foremost to function as an oven, with construction, features and functions identical to a traditional single oven, these models benefit from the addition of microwaves at low medium power (max 360W) to deliver oven-led combination cooking, which speeds up the cooking process while retaining traditional cooking results.
 Microwave Combination Ovens – These models are designed to provide more functionality than a solo microwave oven, focussing on combination cooking, with the microwave using higher power (max. 600W) to lead the cooking process, supported by Hotair or grill functions to deliver speedy crisp and browned results. Based around a more traditional microwave functionality these models offer the perfect solution if regular microwave heating is the priority, but with the back-up of separate or combination Hotair cooking and grill functionality if required. These models are designed to operate best in combination mode, so when heating using microwave only, it may be necessary to adjust cooking times. **Data valid in this table as of April 2023.** Subject to modification without prior notice.



| OVEN TYPE | MICROWAVE | MICROWAVE | MICROWAVE | MICROWAVE WITH GRILL |
|--|------------|------------|------------|----------------------|
| DESIGN FAMILY | SERIES 8 | SERIES 6 | SERIES 6 | SERIES 4 |
| BRUSHED STEEL | - | - | - | BEL553MS0B |
| BLACK | CEG732XB1B | BFL554MB0B | BFL524MB0B | - |
| WHITE | - | - | - | - |
| KEY FEATURES | | | | |
| Control Wheel, TFT Display | ● | - | - | - |
| Control dials / White LCD or Red LED Display | - | ● / White | ● / White | ● / Red |
| Stainless steel interior | ● | ● | ● | ● |
| Left hinged door | - | ● | ● | ● |
| Electronic | ● | ● | ● | ● |
| Automatic programmes | 10 | 7 | 7 | 8 |
| Electronic door opening | - | - | - | ● |
| Memory function | - | - | - | 1 |
| Microwave | ● | ● | ● | ● |
| Quartz grill | - | - | - | ● |
| Microwave and Grill Combination operation | - | - | - | ● |
| PERFORMANCE / TECHNICAL INFORMATION | | | | |
| Useable oven capacity (L) | 36 | 25 | 20 | 25 |
| Inverter technology ¹ | - | - | - | - |
| Maximum microwave power (W) ² | 1000 | 900 | 800 | 900 |
| Number of microwave power levels | 5 | 5 | 5 | 5 |
| Microwave distribution | - | Turntable | Turntable | Turntable |
| Turntable diameter (mm) | - | 315 | 255 | 315 |
| Total connected loading (W) | - | 1450 | 1270 | 1450 |
| Cable length (cm) | 150 | 130 | 130 | 130 |
| GB plug | - | ● | ● | ● |
| Installation in tall housing | - | ● | ● | ● |
| Installation 60cm wide wall unit | - | - | ● | - |
| Installation 50cm wide wall unit | - | - | - | ● |
| STANDARD ACCESSORIES | | | | |
| Glass pan | 1 | 1 | 1 | - |
| Wire rack | - | - | - | - |

● = Yes - = No
¹ Measured according to the EN50304, 65/2014
² For further information on inverter technology, please go to [www.bosch-home.ie https://media3.bosch-home.com/Documents/MCDOC03402966_BOSCH_microwave_details_19.pdf](https://media3.bosch-home.com/Documents/MCDOC03402966_BOSCH_microwave_details_19.pdf)
 For Inverter models, the maximum setting offers a time limited boost option for heating liquids. To ensure optimal results and to protect the appliance, the microwave power output is reduced in stages over the first few minutes down to the next power level (600W). After a cooling period, the microwave boost option will be available once more.

Ovens with integral microwave — When teamed with a single oven, Bosch compact ovens with microwave offer a great alternative to a double oven if you require more space for traditional cooking. Designed first and foremost to function as an oven, with construction, features and functions identical to a traditional single oven, these models benefit from the addition of microwaves at low medium power (max 360W) to deliver oven-led combination cooking, which speeds up the cooking process while retaining traditional cooking results.
 Microwave Combination Ovens — These models are designed to provide more functionality than a solo microwave oven, focussing on combination cooking, with the microwave using higher power (max. 600W) to lead the cooking process, supported by Hotair or grill functions to deliver speedy crisp and browned results. Based around a more traditional microwave functionality these models offer the perfect solution if regular microwave heating is the priority, but with the back-up of separate or combination Hotair cooking and grill functionality if required. These models are designed to operate best in combination mode, so when heating using microwave only, it may be necessary to adjust cooking times. **Data valid in this table as of April 2023.** Subject to modification without prior notice.



| OVEN TYPE | MICROWAVE | MICROWAVE WITH GRILL | MICROWAVE | MICROWAVE |
|--|------------|----------------------|------------|------------|
| DESIGN FAMILY | SERIES 4 | SERIES 4 | SERIES 4 | SERIES 2 |
| BRUSHED STEEL | BFL553MS0B | BEL523MS0B | BFL523MS0B | - |
| BLACK | BFL553MB0B | - | BFL523MB0B | BFL523MS3B |
| WHITE | - | - | BFL523MW0B | - |
| KEY FEATURES | | | | |
| Control Wheel, TFT Display | - | - | - | - |
| Control dials / White LCD or Red LED Display | ● / Red | ● / Red | ● / Red | ● / Red |
| Stainless steel interior | ● | ● | ● | ● |
| Left hinged door | ● | ● | ● | ● |
| Electronic | ● | ● | ● | - |
| Automatic programmes | 7 | 8 | 7 | 7 |
| Electronic door opening | ● | ● | ● | - |
| Memory function | 1 | 1 | 1 | 1 |
| Microwave | ● | ● | ● | ● |
| Quartz grill | - | ● | - | - |
| Microwave and Grill Combination operation | - | ● | - | - |
| PERFORMANCE / TECHNICAL INFORMATION | | | | |
| Useable oven capacity (L) | 25 | 20 | 20 | 17 |
| Inverter technology ¹ | - | - | - | - |
| Maximum microwave power (W) ² | 900 | 800 | 800 | 800 |
| Number of microwave power levels | 5 | 5 | 5 | 5 |
| Microwave distribution | Turntable | Turntable | Turntable | Turntable |
| Turntable diameter (mm) | 315 | 255 | 255 | 245 |
| Total connected loading (W) | 1450 | 1270 | 1270 | 1270 |
| Cable length (cm) | 130 | 130 | 130 | 130 |
| GB plug | ● | ● | ● | ● |
| Installation in tall housing | ● | ● | ● | - |
| Installation 60cm wide wall unit | - | ● | ● | - |
| Installation 50cm wide wall unit | - | - | - | ● |
| STANDARD ACCESSORIES | | | | |
| Glass pan | - | - | - | - |
| Wire rack | - | 1 | - | - |

● = Yes - = No
¹ Measured according to the EN50304, 65/2014
² For further information on inverter technology, please go to [www.bosch-home.ie https://media3.bosch-home.com/Documents/MCDOC03402966_BOSCH_microwave_details_19.pdf](https://media3.bosch-home.com/Documents/MCDOC03402966_BOSCH_microwave_details_19.pdf)
 For Inverter models, the maximum setting offers a time limited boost option for heating liquids. To ensure optimal results and to protect the appliance, the microwave power output is reduced in stages over the first few minutes down to the next power level (600W). After a cooling period, the microwave boost option will be available once more.

Ovens with integral microwave — When teamed with a single oven, Bosch compact ovens with microwave offer a great alternative to a double oven if you require more space for traditional cooking. Designed first and foremost to function as an oven, with construction, features and functions identical to a traditional single oven, these models benefit from the addition of microwaves at low medium power (max 360W) to deliver oven-led combination cooking, which speeds up the cooking process while retaining traditional cooking results.
 Microwave Combination Ovens — These models are designed to provide more functionality than a solo microwave oven, focussing on combination cooking, with the microwave using higher power (max. 600W) to lead the cooking process, supported by Hotair or grill functions to deliver speedy crisp and browned results. Based around a more traditional microwave functionality these models offer the perfect solution if regular microwave heating is the priority, but with the back-up of separate or combination Hotair cooking and grill functionality if required. These models are designed to operate best in combination mode, so when heating using microwave only, it may be necessary to adjust cooking times. **Data valid in this table as of April 2023.** Subject to modification without prior notice.



Capacity
20L



Capacity
20L



Capacity
20L

| OVEN TYPE | MICROWAVE OVEN | MICROWAVE OVEN | MICROWAVE OVEN WITH GRILL |
|--|----------------|----------------|---------------------------|
| DESIGN FAMILY | SERIES 2 | SERIES 2 | SERIES 2 |
| MODEL | FFL023MS2B | FEL023MS2B | FFL023MW0B |
| DESIGN | | | |
| Electronic controls | • | • | • |
| Control Dial | • | • | • |
| Retractable control dial | 1 | 1 | 1 |
| Push buttons | • | • | • |
| Left hinged door | • | • | • |
| Door Open Button | • | • | • |
| FEATURES | | | |
| Electronic clock timer | Red LED | Red LED | Red LED |
| Interior lights | 1 standard | 1 standard | 1 standard |
| Max. 99 minute timer | • | • | • |
| Max. 60 minute timer | - | - | - |
| Stainless steel interior | - | • | - |
| Laquered interior | • | - | • |
| Glass turntable | • | • | • |
| PROGRAMMES / FUNCTIONS | | | |
| Microwave | • | • | • |
| Quartz grill | - | • | - |
| Microwave and Grill Combination operation | - | • | - |
| Microwave / grill combination programmes | - | 1 | - |
| Automatic programmes | 7 | 8 | 7 |
| Memory function | • | • | • |
| PERFORMANCE / TECHNICAL INFORMATION | | | |
| Cavity dimensions (HxWxDmm) | 215x337x354 | 194x290x274 | 194x290x274 |
| Useable oven capacity (L) | 20 | 20 | 20 |
| Microwave distribution | Turntable | Turntable | Turntable |
| Turntable diameter (mm) | 270 | 245 | 270 |
| Maximum microwave power (W) | 800 | 800 | 800 |
| Number of microwave power levels | 5 | 5 | 5 |
| Grill power (W) | - | 1000 | - |
| Voltage (V) | 230 | 270 | 230 |
| Total connected loading (W) | 1450 | 1270 | 1270 |
| Cable length (cm) | 130 | 130 | 130 |
| GB plug | • | • | • |
| STANDARD ACCESSORIES | | | |
| Wire rack | - | 1 | - |
| Turntable | 1 | 1 | 1 |

• = Yes - = No

Data valid in this table as of April 2023. Subject to modification without prior notice.



Capacity
20L



Capacity
20L

| OVEN TYPE | MICROWAVE OVEN | MICROWAVE OVEN |
|--|----------------|----------------|
| DESIGN FAMILY | SERIES 2 | SERIES 2 |
| MODEL | FEL020MS2B | FFL020MS2B |
| DESIGN | | |
| Electronic controls | - | - |
| Control Dial | • | • |
| Retractable control dial | - | - |
| Push buttons | • | • |
| Left hinged door | • | • |
| Door Open Button | • | • |
| FEATURES | | |
| Electronic clock timer | - | - |
| Interior lights | 1 standard | 1 standard |
| Max. 99 minute timer | - | - |
| Max. 60 minute timer | • | • |
| Stainless steel interior | - | - |
| Laquered interior | • | • |
| Glass turntable | • | • |
| PROGRAMMES / FUNCTIONS | | |
| Microwave | • | • |
| Quartz grill | • | - |
| Microwave and Grill Combination operation | • | - |
| Microwave / grill combination programmes | - | - |
| Automatic programmes | - | - |
| Memory function | - | - |
| PERFORMANCE / TECHNICAL INFORMATION | | |
| Cavity dimensions (HxWxDmm) | 194x290x274 | 194x290x274 |
| Useable oven capacity (L) | 20 | 20 |
| Microwave distribution | Turntable | Turntable |
| Turntable diameter (mm) | 245 | 270 |
| Maximum microwave power (W) | 800 | 800 |
| Number of microwave power levels | 5 | 5 |
| Grill power (W) | 1000 | - |
| Voltage (V) | 230 | 230 |
| Total connected loading (W) | 1270 | 1270 |
| Cable length (cm) | 130 | 130 |
| GB plug | • | • |
| STANDARD ACCESSORIES | | |
| Wire rack | 1 | - |
| Turntable | 1 | 1 |

• = Yes - = No

Data valid in this table as of April 2023. Subject to modification without prior notice.



| OVEN TYPE | WARMING DRAWER | WARMING DRAWER | WARMING DRAWER |
|--|----------------|----------------|----------------|
| DESIGN FAMILY | SERIES 8 | SERIES 8 | SERIES 6/4 |
| BRUSHED STEEL | - | - | BIC510NS0B |
| BLACK | BID7101B1B | BIC7101B1B | BIC510NB0 |
| KEY FEATURES | | | |
| Keep warm | • | • | • |
| Plate warming | • | • | • |
| Defrost | • | • | • |
| Low temperature cooking | • | • | - |
| Operating indicator light | Red | Red | Red |
| Electronic control | • | • | - |
| Rotary temperature control dial | • | • | • |
| Number of settings | 4 | 4 | 3 |
| Maximum temperature (°C) | 80 | 80 | 80 |
| Minimum temperature (°C) | 40 | 40 | 40 |
| Maximum loading (plates) | 40 | 12 | 14 |
| Maximum loading (espresso cups) | 192 | 64 | 64 |
| Toughened glass drawer base | • | • | - |
| Anti slip mat | - | - | - |
| Push-Pull opening mechanism | • | • | • |
| PERFORMANCE / TECHNICAL INFORMATION | | | |
| Drawer interior volume (L) | 52 | 20 | 23 |
| Maximum weight capacity (kg) | 25 | 25 | 15 |
| Install independently | • | • | • |
| Install with a compact appliance | Serie 8 | Serie 8 | Serie 6/4 |
| Install with a single oven | Serie 8 | Serie 8 | Serie 6/4 |
| Installation in a tall housing | • | • | • |
| Installation under work surface | • | • | • |
| Nominal voltage (V) | 220-240 | 220-240 | 220-240 |
| Total connected loading (W) | 810 | 810 | 400 |
| Cable length (cm) | 150 | 150 | 150 |
| GB plug | • | • | • |

• = Yes - = No

Data valid in this table as of April 2023. Subject to modification without prior notice.

Smart Coffee Centre.

Your very own barista.

When you take your coffee seriously, your coffee machine needs to be seriously impressive. With the Home Connect enabled Coffee Centre, you get your very own virtual barista, skilled at producing delicious coffees from all over the world.

Using Coffee World, built into the Home Connect app, you are able to create almost twenty superb drinks and international favourites at the touch of a button. Your kitchen becomes your new favourite coffee shop.

Playlist.

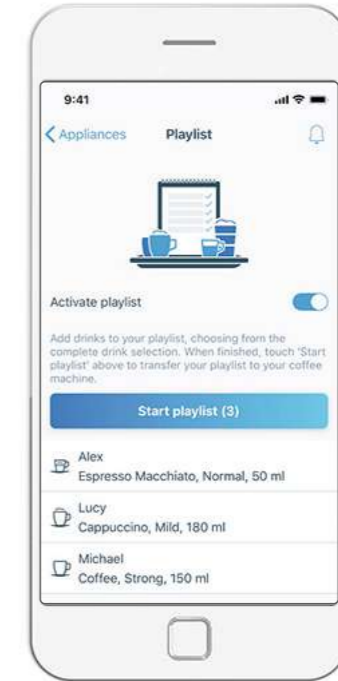
Making drinks for lots of people?

There's no need to memorise the

list. Simply use the Home Connect app

Coffee Playlist and get

everyone to select their favourite drink.



Your coffee, your way.

Replicating your perfect cup of coffee can sometimes feel impossible. Home Connect now makes getting the perfect coffee easier than ever. Simply save your perfect coffee as a favourite in the Home Connect app to access it in one touch from your Smartphone or Smartwatch. Then sit back and let the machine take over. Treat yourself to the cup of coffee you know and love.

Series 8



Pair with a Bosch warming drawer for seamless design next to a full-sized single oven.



| OVEN TYPE | COFFEE CENTRE |
|---|-----------------|
| DESIGN FAMILY | SERIES 8 |
| MODEL | CTL7181B0 |
| KEY FEATURES | |
| Control Wheel, TFT Display | Pro |
| Home Connect | • |
| Electronic control | • |
| Senso Flow System | • |
| Aroma pressure system | • |
| Auto Valve System | • |
| Ceramic coffee grinders | • |
| Multilevel grinding setting | • |
| Cup illumination | • |
| Height adjustable milk / coffee outlet (mm) | 7-15 |
| Adjustable automatic switch off setting | • |
| Integrated water filter | • |
| PROGRAMMES / FUNCTIONS | |
| Personalised milk beverage, milk foam, hot water, warm milk, ristretto, coffee, espresso, cappuccino, latte macchiato, cafe latte, espresso macchiato | 1 or 2 cup |
| One touch function for milk drinks | • |
| Coffee / hot Water temperature options | 3 / 4 |
| Milk foam/frothing function | • |
| Hot Milk function | • |
| Cleaning / de-scaling / combined programmes | • |
| Automatic rinse when switched on/off | • |
| PERFORMANCE / TECHNICAL INFORMATION | |
| Installation in a tall housing | 950-1450mm high |
| Left hinged door to access interior | • |
| Insulated Milk container capacity (L) | 0.5 |
| Brewing chamber volume (g) | 8-12 |
| Bean container capacity (g) | 500 |
| Ground coffee container | • |
| Water tank capacity (L) | 2.4 |
| Total connected loading (W) | 1600 |
| Cable length (in cm) | 170 |

• = Yes - = No

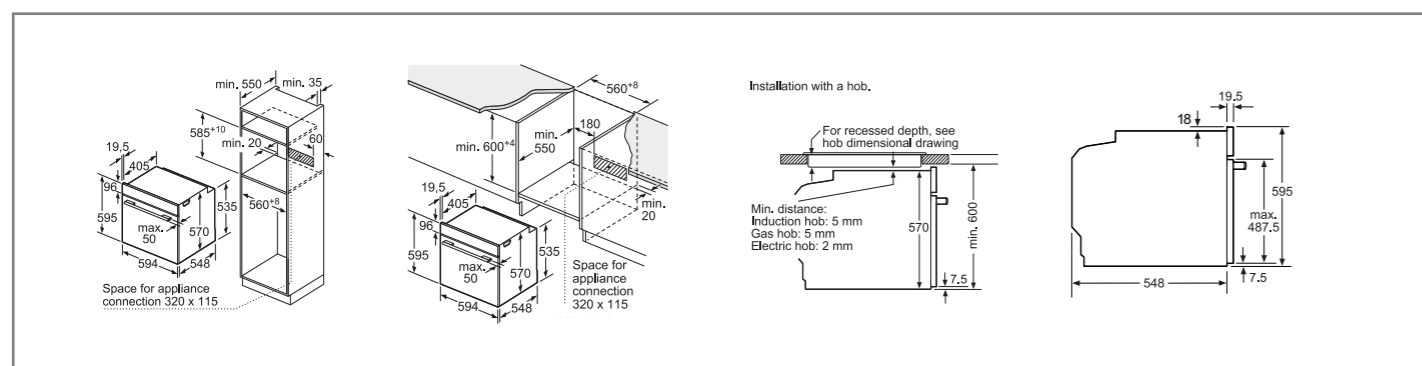
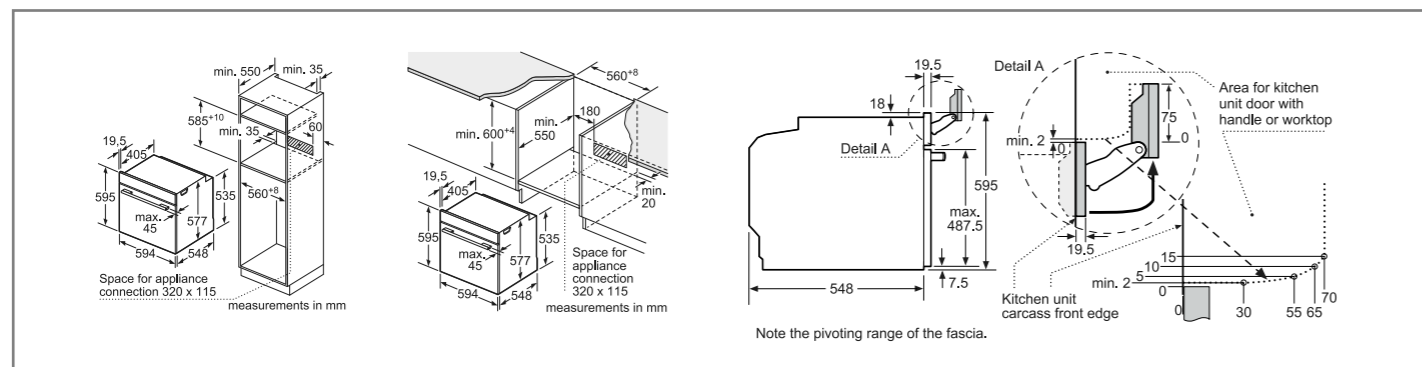
Data valid in this table as of April 2023. Subject to modification without prior notice.

For full specification details, please log onto our website and download a full specification sheet.

All models comply with COMMISSION REGULATION (EC) No 1275/2008 with regard to ecodesign requirements for standby and off mode electric power consumption. For full specification details, please log onto our website and download a full specification sheet.

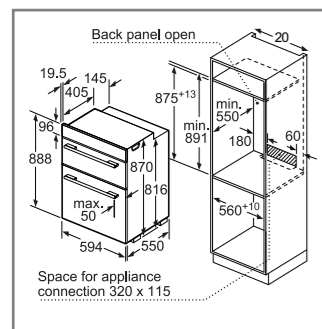
Ovens technical diagrams

Single and double ovens



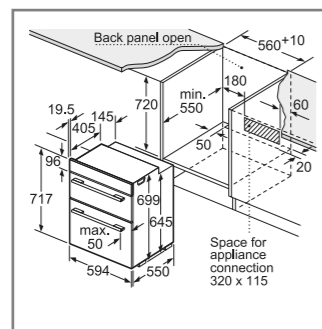
Single ovens

HBG7784B1, HMG7764B1B, HRG7764B1B, HBG7764B1B, HBG7741B1B, HRG579BB6B, HBG579BB6B, HRS574BS0B, HBS573BS0B, HBS573BB0B, HSG7584B1, HSG7364B1B, HBG7341B1B, HBG539BB6B, HRS534BS0B, HBS534BS0B, HBS534BB0B, HBS534BW0B



Built-in double ovens

MBA5785S6B, MBA5575S0B, MBA5350S0B, MBS533BS0B, MBS533BB0B, MBS533BW0B



Built-under double ovens

NBS533BS0B, NBS533BB0B

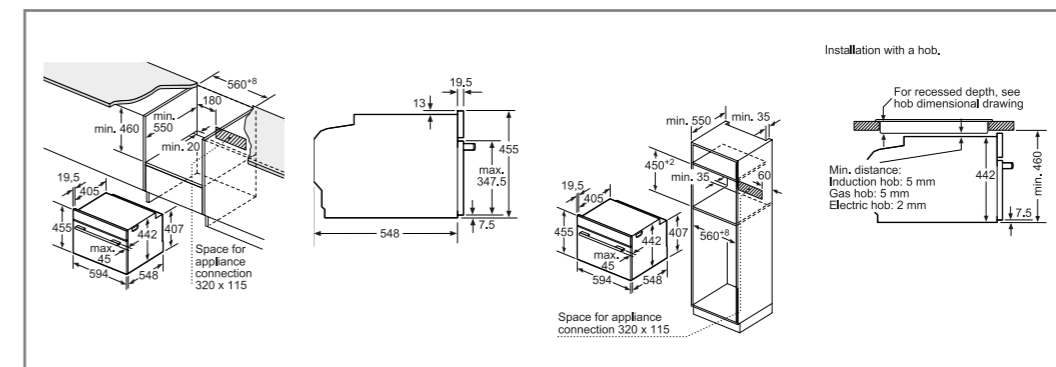
All diagram measurements are in millimetres (mm)

We try to keep up to date with constant technological improvements, so from time to time we may update installation guidelines. Therefore we strongly recommend that you download the latest installation guidelines from www.bosch-home.ie. Line drawings are for guidance only, and we recommend that you refer to the latest installation guidelines. Though every care is taken to ensure instructions are correct at the time of printing, Bosch cannot accept responsibility for incorrect planning or installation as a result of the use of these line drawings.

Explore more at bosch-home.ie

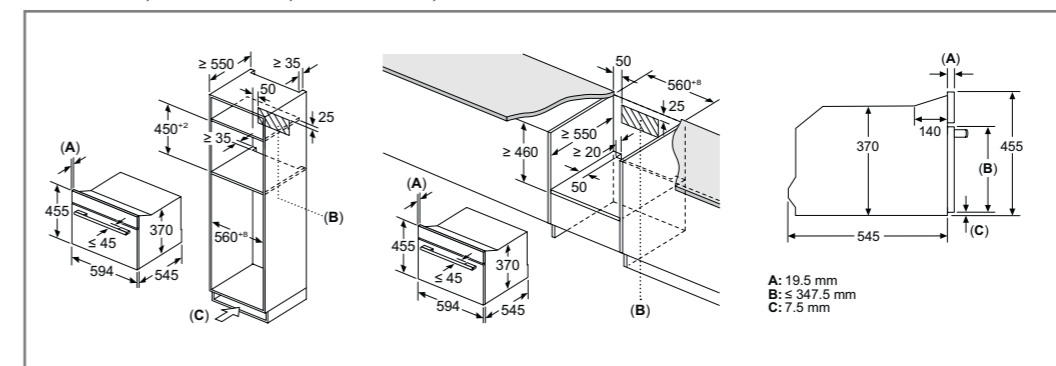
Compact appliances technical diagrams

Compact ovens, compact steam ovens, compact microwave combination oven



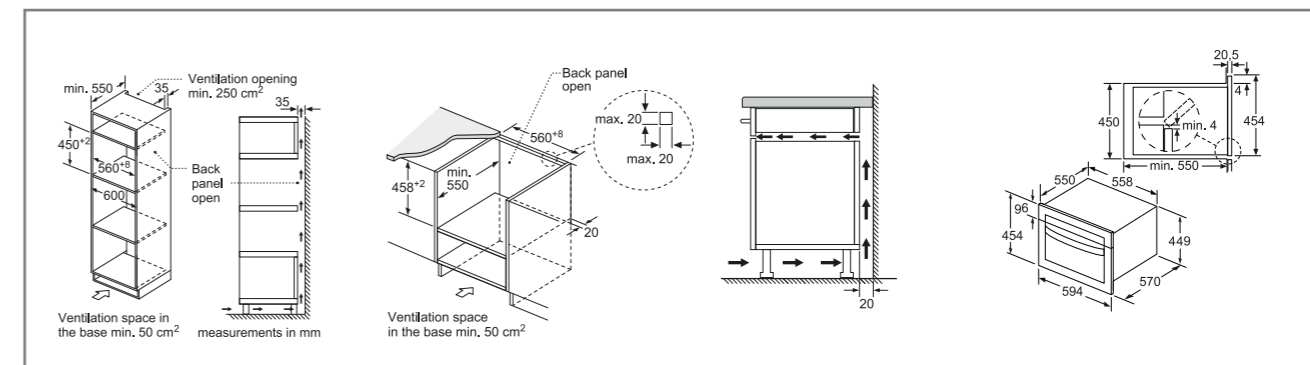
Compact oven (with added steam) CSG7584B1, CSG7361B1 Compact ovens (with microwave)

CMG778NB1, CMG7761B1B, CMG7361B1B, CMG7241B1B



Compact Microwave

CEG732XB1B



Compact Combination Microwave Ovens CMA585GB0B, CMA583MS0B, CMA583MB0B

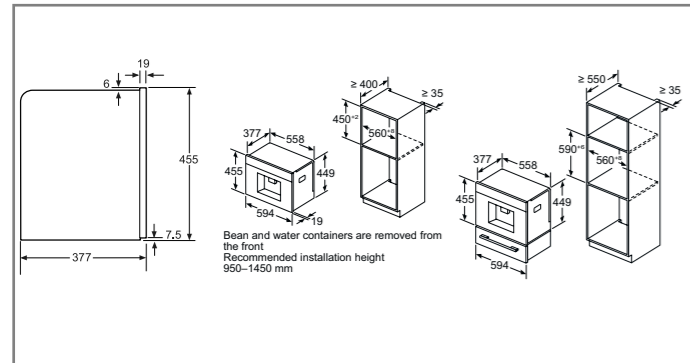
All diagram measurements are in millimetres (mm)

We try to keep up to date with constant technological improvements, so from time to time we may update installation guidelines. Therefore we strongly recommend that you download the latest installation guidelines from www.bosch-home.ie. Line drawings are for guidance only, and we recommend that you refer to the latest installation guidelines. Though every care is taken to ensure instructions are correct at the time of printing, Bosch cannot accept responsibility for incorrect planning or installation as a result of the use of these line drawings.

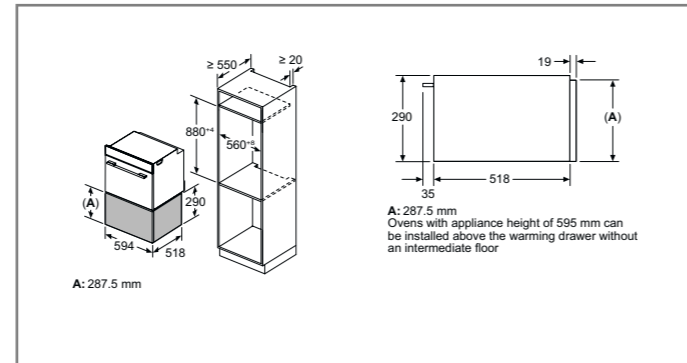
Making life easy through innovative technologies

Compact appliances technical diagrams

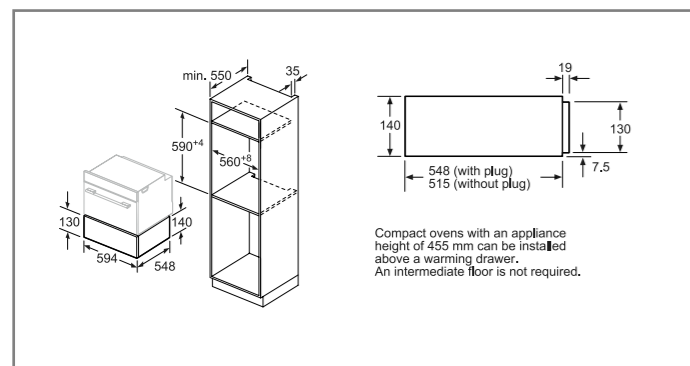
Compact coffee maker, warming drawers



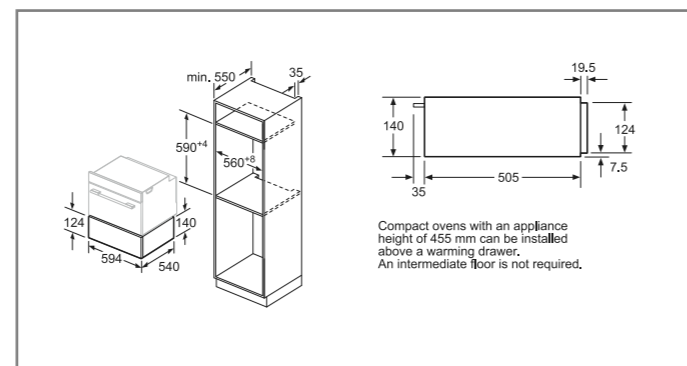
Coffee maker CTL7181B0



Warming drawer BID7101B1B installed with 60cm high single oven.

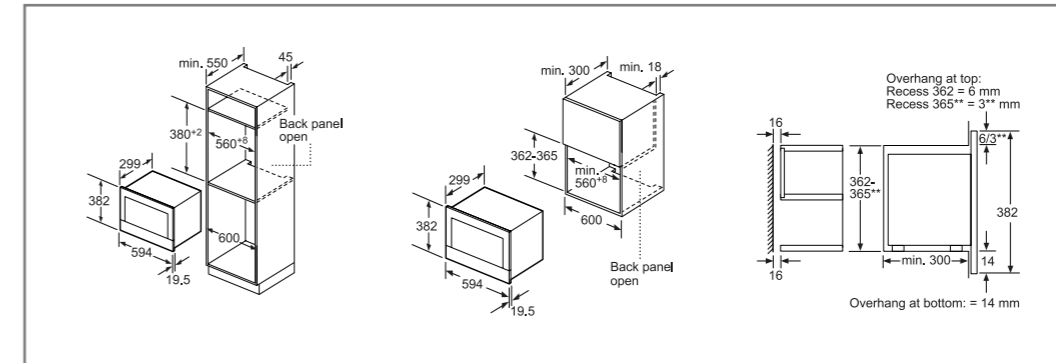


Warming drawers BIC7101B1B installed with 45cm high oven.

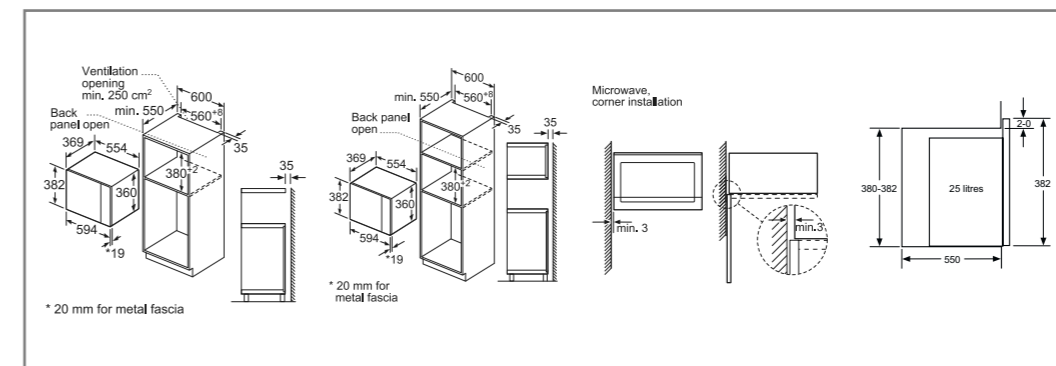


Warming drawers BIC510NS0B, BIC510NB0 installed with 45cm high oven.

Microwave ovens



Microwaves BFL7221B1B



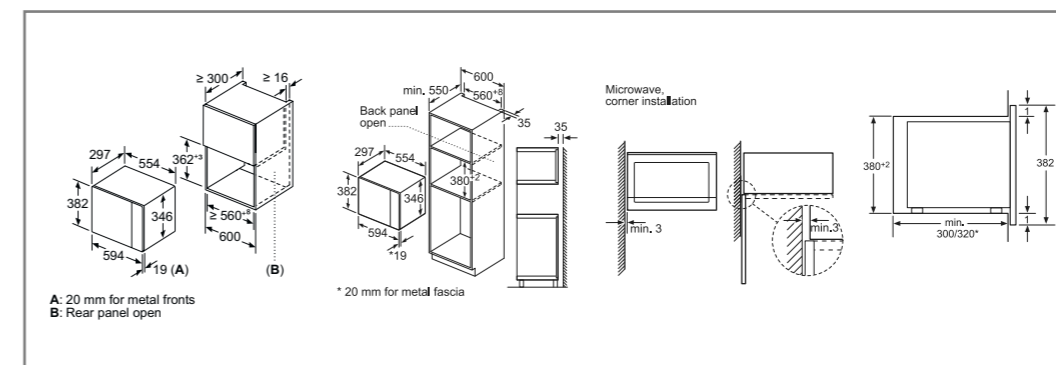
Microwaves BFL554MB0B, BFL524MB0B, BEL553MS0B, BFL553MS0B, BFL553MB0B

Oven and compact appliance accessories

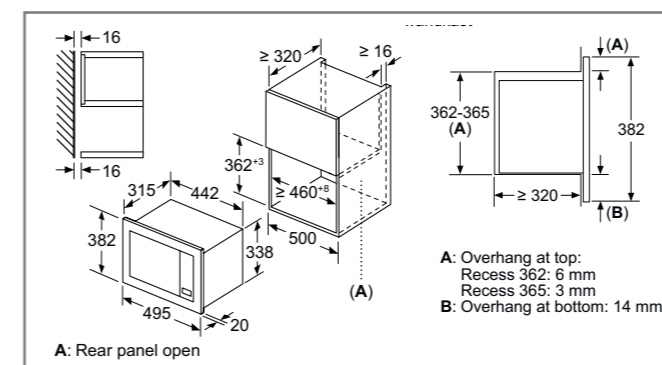
| | SERIES 8 | | SERIES 4 & 6 | | |
|--|---|--------------------|--------------|---------------|---------------|
| | Single Ovens | 45cm Compact Ovens | Single Ovens | Compact Ovens | Double Ovens* |
| ROASTING & BAKING ACCESSORIES | | | | | |
| HEZ530000 | Two piece slim pan set for Series 6 and Series 4 single and double ovens | - | • | - | • |
| TELESCOPIC RAILS | | | | | |
| HEZ638000 | 1 pair of level independent telescopic shelf rails with stop, fully extendible, for non-pyrolytic, non-full steam Series 8 ovens | • | - | - | • |
| HEZ638070 | 1 pair of level independent telescopic shelf rails with stop, fully extendible, for Series 8 pyrolytic ovens | • | - | - | • |
| HEZ638D00 | 1 pair of level independent telescopic shelf rails with stop, fully extendible, for Series 8 steam ovens | • | - | - | • |
| HEZ629070 | Air Fryer & Grill tray. Required for Air Fry Function, for Series 8 ovens | • | - | - | • |
| HEZ538000 | 1 pair of level independent telescopic rails for Series 6 & 4 single and double ovens | - | • | - | • |
| INSTALLATION ACCESSORIES | | | | | |
| HEZ6BMA00 | Metal platform and brackets suited to a combination of Series 8 60cm Single ovens and 45cm Compact ovens in column (special single aperture required) | • | • | - | - |
| HEZ660060 | Cosmetic decor strip compatible with 60cm single and 45cm compact ovens | • | • | • | - |

• = Yes - = No

Optional accessories not suited for use during pyrolytic cleaning cycle



Microwaves BEL523MS0B, BFL523MS0B, BFL523MB0B, BFL523MW0B



BFL523MS3B

All diagram measurements are in millimetres (mm)

We try to keep up to date with constant technological improvements, so from time to time we may update installation guidelines. Therefore we strongly recommend that you download the latest installation guidelines from www.bosch-home.ie. Line drawings are for guidance only, and we recommend that you refer to the latest installation guidelines. Though every care is taken to ensure instructions are correct at the time of printing, Bosch cannot accept responsibility for incorrect planning or installation as a result of the use of these line drawings.

Explore more at bosch-home.ie

All diagram measurements are in millimetres (mm)

We try to keep up to date with constant technological improvements, so from time to time we may update installation guidelines. Therefore we strongly recommend that you download the latest installation guidelines from www.bosch-home.ie. Line drawings are for guidance only, and we recommend that you refer to the latest installation guidelines. Though every care is taken to ensure instructions are correct at the time of printing, Bosch cannot accept responsibility for incorrect planning or installation as a result of the use of these line drawings.

Making **life easy** through innovative technologies

Introducing the Bosch hob range

As you would expect from Bosch, all our electric hobs are made using high quality materials, are easy to use and add contemporary elegance to any kitchen.

To help you choose the right electric hob for your home we have divided them into the three ranges below.

TO FIND OUT MORE ABOUT OUR BOSCH INDUCTION HOB RANGE, PLEASE SCAN THE QR CODE BELOW:



Model shown: PXY875KW1E

Series 8

Our **Series 8** range of electric hobs combines convenience and elegant design, allowing you to select individual cooking zones and power levels. All controlled at just the touch of a button with the modern touch control, TFT or DirectSelect Premium control.

Series 6

Expect excellent operation and timeless designs with our **Series 6** range of hobs. You'll get premium engineering and materials, so that you can always cook something a little bit special. Get ultimate control with the easy to use DirectSelect touch control.

Series 4

Featuring a range of **Series 4** electric hobs that are convenient and simple to operate, our essential range maintains classic design with contemporary style.

Hob functions explained.

Check model for available functions.

PerfectFry: Our clever Frying Sensor measures the temperature in the pan for perfect results.

PerfectCook: Control your cooking by the temperature in the pan rather than the power level with our smart Cooking Sensor*, which easily attaches to the side of your induction pot.

*This feature requires the additional purchase of a Cooking Sensor to operate.

Power Boost: This function allows you to increase the power of the cooking zone by up to 50% - perfect for large pots and pans or when you're in a hurry.

Automatic pan recognition: Only heats up the base of the pan and not the rest of the zone, which doesn't waste energy and leaves the rest of the hob cool to touch.

Freeze: In case of any spills, the function freezes all the heat settings so you can thoroughly wipe and clean the hob surface. To restore the previous heat settings simply touch the button again!

TFT-touch display: Clear text and pictures allow simple operation of the integrated touch display.

Assist: Automatic setting of the ideal power level recommendation and cooking time for countless dishes.

Flex Induction Zone: Get more flexibility by combining the cooking zones into one big zone for placing small pots and large cookware. The amount of usable surface on the hob is maximised to accommodate even the largest of cookware, including griddle plates and Teppan Yaki.

Combi Zone: Two cooking zones can be linked, making the switch from small to large pans effortless.

Move Mode: Automatically switches from boil to simmer with a simple slide of the saucepan.

Hob-Hood Control: Convenient operation of the hood via your hob. Hoods with Home Connect will automatically turn on or off and increase or decrease in extraction level based on cooking needs, food smells and vapour.

Child Safety: The built-in lock function locks the surface of your hob and prevents it from being used accidentally, giving you the highest level of safety.

DirectSelect: Set the correct temperature with a single touch. No more scrolling up or down, just simply press one button to select the right heat level. Models with **DirectSelect Premium** touch controls feature an additional minimum temperature setting giving you added cooking control.

Explore more at [bosch-home.ie](https://www.bosch-home.ie)

Venting hobs range

TO FIND OUT MORE ABOUT OUR BOSCH VENTING HOB RANGE, PLEASE SCAN THE QR CODE BELOW:



The Perfect combination.

To give you more freedom and flexibility in designing your kitchen, we've developed hobs with an integrated ventilation module. These hobs combine the latest technologies of our induction hobs and cooker hoods in a single appliance. The integrated ventilation module extracts steam and odours at their source.

The **Series 8 PerfectAir** venting hob removes odours from the source, leading to fewer cooking smells in the kitchen. It can be easily installed into the work surface to suit any kitchen design and has the added convenience of being easy to clean. Thanks to the **PerfectFry** sensor and **PerfectCook** sensor on the hob, you can achieve perfect results whether you're frying or boiling.

For more information on types of installation for Venting Hobs, please see pages 46 & 47.



Now your cooker hood can automatically control the air that you breathe.

PerfectAir is our advanced feature that clears the air without you having to do anything. A sensor constantly detects the levels of cooking odours in the air and adjusts the power level - from light use to intensive - to ensure your kitchen air is always clean and fresh.

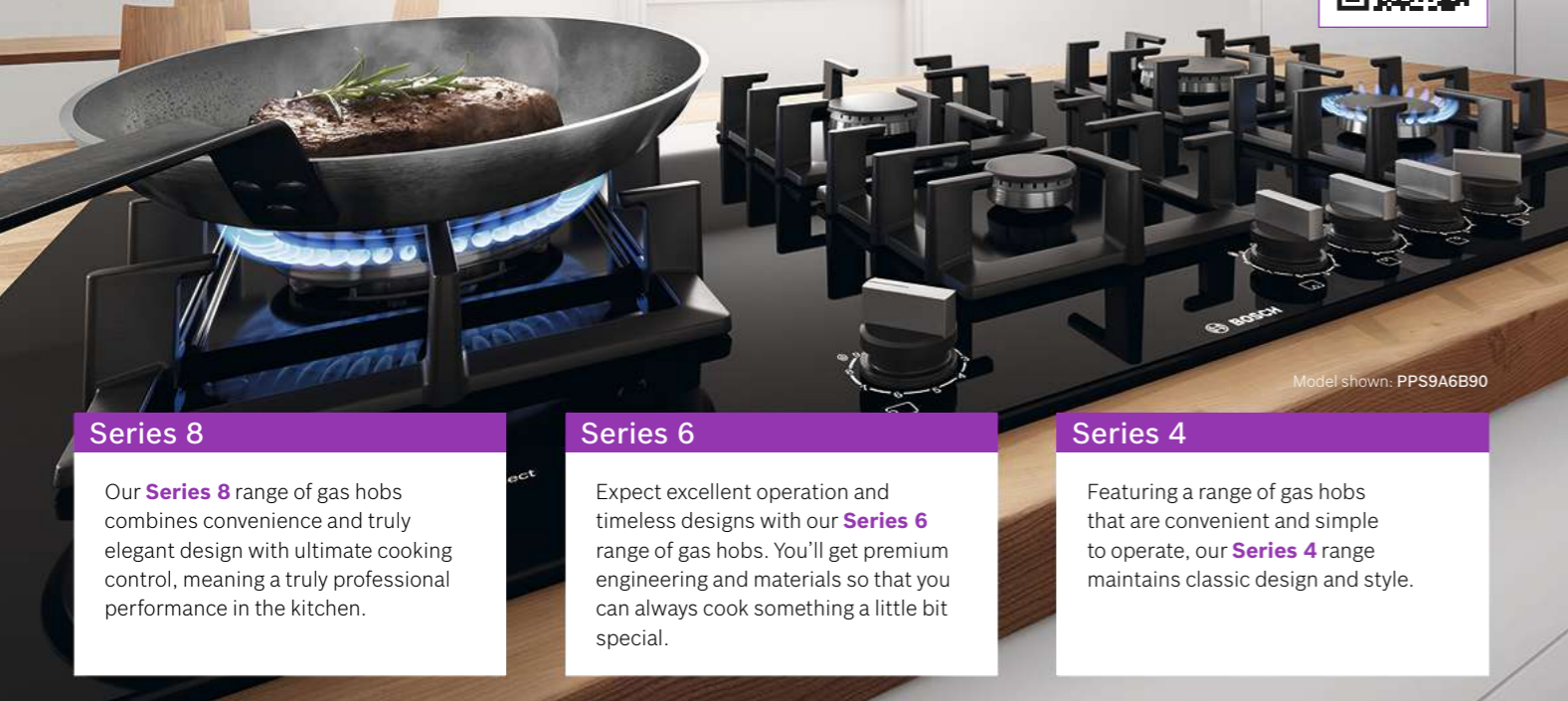


Model shown: PXX875D67E

Making **life easy** through innovative technologies

Gas hob range

Welcome to intuitive cooking. The advanced technology built into our hobs makes cooking on gas simple and precise. Understanding how you cook means we've been able to design a FlameSelect feature that lets you fry, stew, steam and boil with confidence – without constantly checking the flame.



Model shown: PPS9A6B90

Series 8

Our **Series 8** range of gas hobs combines convenience and truly elegant design with ultimate cooking control, meaning a truly professional performance in the kitchen.

Series 6

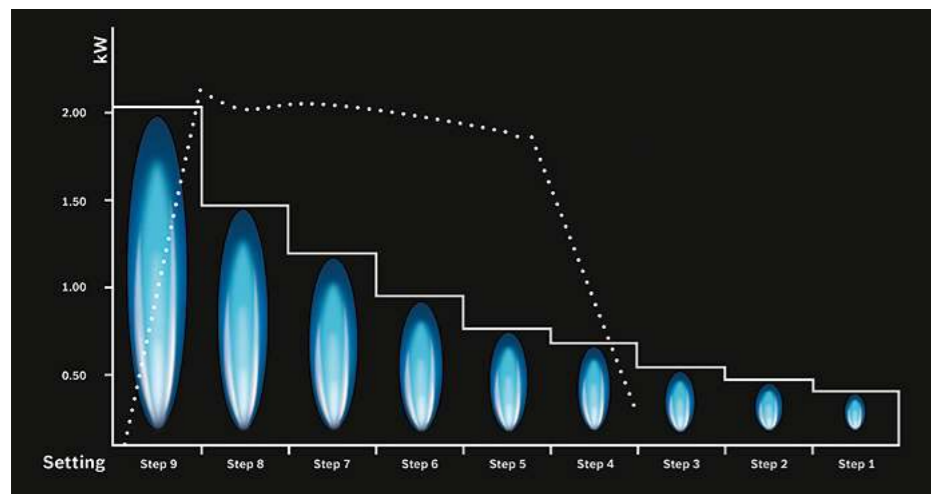
Expect excellent operation and timeless designs with our **Series 6** range of gas hobs. You'll get premium engineering and materials so that you can always cook something a little bit special.

Series 4

Featuring a range of gas hobs that are convenient and simple to operate, our **Series 4** range maintains classic design and style.

Flame Select Gas without the guesswork.

The gas cooktops with Flame Select are equipped with nine precisely defined power levels which let you adjust the required heat easily and reliably. For simply perfect cooking results.



Flame Select

We're taking the guesswork out of using a gas hob. Our innovative Step Valve technology regulates the gas output precisely, so you're able to choose the size of flame. With an easy-to-use setting, all you need to do is decide which of the 9 power settings you want. At last, Flame Select gives you the confidence to cook on gas without leaning down to check it.

Flame size based on gas setting and energy consumption

Explore more at [bosch-home.ie](https://www.bosch-home.ie)

Gas hob functions explained.

Check model for available functions.

Flame Select: A precise adjustment of the flame in nine defined levels.

Wok burner: Powerful cooking at up to 4 kW.

Standard and semi-flush built-in option: Choose between flush or surface mounted installation.

Tempered-glass surface: Elegant design and easy cleaning.

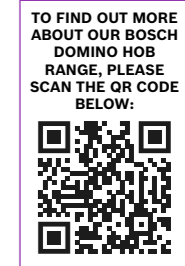
Continuous cast-iron pan support: For high firmness and stability of cookware.

.....
Standard gas hob valve power output.

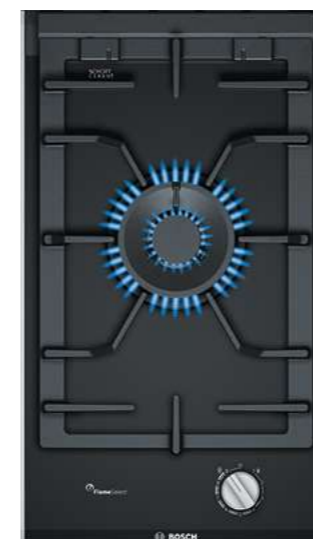
—————
Flame Select valve power output.

Design match

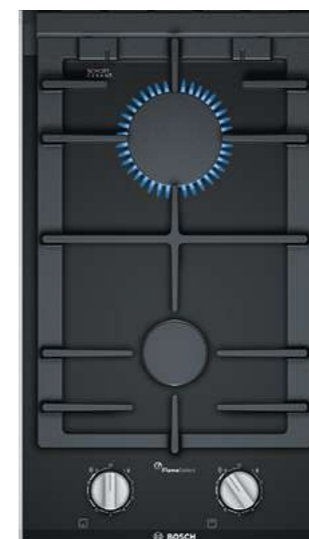
If you want a selection of cooking options within your kitchen, this can be realised with a combination of our worktop cooking appliances. You can select everything from our great range of Induction, Ceramic or Gas hobs and then combine with one of our range of Induction, Ceramic or Gas Domino hobs.



Gas Domino Hobs

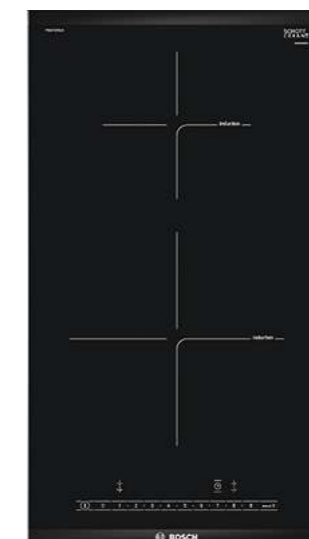


PRA3A6B70



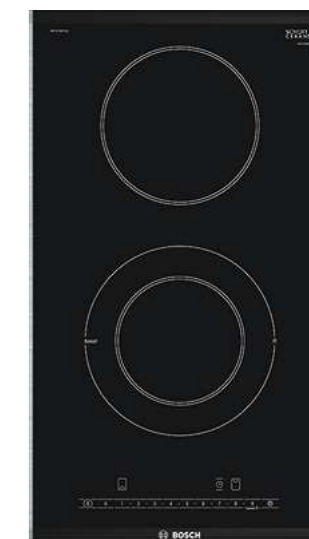
PRB3A6B70

Induction Domino Hob



PIB375FB1E

Ceramic Domino Hob



PKF375FP2E

These hob appliances can be arranged side-by-side to create a larger cooking surface area, or positioned on their own to create a separate cooking space. Ideal for smaller kitchens that do not have the space for large hobs.

TIP: Ensure your extractor hood is the same width as the worktop appliance you choose.



A touch of the Orient

Powerful, dual ring wok burners are perfect for oriental cooking. They deliver a boost both in power and speed, but can also be used very effectively at lower settings when required.



Smart design

Square design pan supports don't just look good, but provide more stability for pots and pans. Cleverly designed to fit together, they are separate pieces, which make them easy to handle and clean. The elegant tempered glass base allows for a choice of surface mounting for quick and easy installation, or flush mounting.

Making **life easy** through innovative technologies

| TYPE | FLEX INDUCTION | FLEX INDUCTION |
|---|----------------------|----------------------|
| SERIES | SERIES 8 | SERIES 6 |
| MODEL NUMBER | PXX875D67E | PVQ731F15E |
| Width in mm | 816 | 710 |
| Control position | Front | Front |
| Control type | DirectSelect Premium | DirectSelect |
| Style | Comfort Profile | Front Bevel |
| KEY FEATURES | | |
| Home Connect | ● | - |
| Integrated extractor | ● | ● |
| PerfectCook temperature sensor ready | HEZ39050 required | - |
| PerfectFry Sensor settings for hob | 5 settings | - |
| Automatic extraction | Fully sensor based | Auto-On |
| Number of Flex Induction zones | 2 | - |
| Number of Combi Induction zones | - | 2: Left & Right |
| HOB FEATURES | | |
| Number of individual zones | 4 | 4 |
| Power levels | 17 | 17 |
| Power Boost | ● | ● |
| Pan Boost | ● | - |
| Move Mode | 3 stages | 2 stages |
| Energy Consumption Display | ● | ● |
| Keep warm function | ● | - |
| Quick Start | ● | ● |
| Automatic setting transfer | ● | - |
| ReStart | ● | ● |
| Demo Mode | ● | - |
| Dish Categories/ Setting Recommendations | ● | - |
| Wipe protection function | ● | ● |
| SAFETY FEATURES | | |
| Residual Heat Indicator | ● | ● |
| Childproof Lock | ● | ● |
| Countdown timer | ● | ● |
| Safety Time Switch off | ● | ● |
| Pan recognition | ● | ● |
| Count up Timer | ● | - |
| Main on/off switch | ● | ● |
| HOOD FEATURES | | |
| PerfectAir Sensor | ● | - |
| Metal grease filter | ● | ● |
| Power levels | 17 + 2 Intensive | 9 + 2 Intensive |
| Automatic intensive revert setting | 6 minutes | 6 minutes |
| Automatic or manual control | ● | ● |
| Automatic after running: Extraction / Recirculation | 12 / 30 minutes | 12 / 30 minutes |
| Interval operation | ● | ● |
| Dishwasher safe grease filter cassette with spillage collection | Yes - 200ml capacity | Yes - 200ml capacity |
| Dishwasher safe spillage overflow collector | 700ml capacity | 700ml capacity |
| Electronic grease filter / cleanAir filter saturation indicators | ● | ● |
| PERFORMANCE / TECHNICAL INFORMATION - HOB | | |
| Nominal voltage (V) | 220-240 | 220-240 |
| Maximum power output (W) | 7400 | 7400 |
| Electrical cable length (cm) | 110 | 110 |
| Rear left zone - power (kW) / dimensions (mm) | 2.20 200x240 | 2.20 190x190 |
| Rear right zone - power (kW) / dimensions (mm) | 2.20 200x240 | 2.20 190x190 |
| Front left zone - power (kW) / dimensions (mm) | 2.20 200x240 | 2.20 210x210 |
| Front right zone - power (kW) / dimensions (mm) | 2.20 200x240 | 2.20 210x210 |
| Flex Induction Zone left - power (kW) / dimensions (mm) | 3.30 400x240 | - - |
| Flex Induction Zone right - power (kW) / dimensions (mm) | 3.30 400x240 | - - |
| Combi Zone left - power (kW) / dimensions (mm) | - - | 3.60 380x210 |
| Combi Zone right - power (kW) / dimensions (mm) | - - | 3.60 380x210 |
| Rear left zone - with Power Boost (max. kW) | 3.70 | 3.70 |
| Rear right zone - with Power Boost (max. kW) | 3.70 | 3.70 |
| Front left zone - with Power Boost (max. kW) | 3.70 | 3.70 |
| Front right zone - with Power Boost (max. kW) | 3.70 | 3.70 |
| PERFORMANCE / TECHNICAL INFORMATION - EXTRACTOR | | |
| Extractor Energy Efficiency Rating | B | B |
| Extraction rate in m ³ /h ^(1,2) | - | - |
| - Ducted / Recirculating power level Minimum | 154 / 150 | 153 / 161 |
| - Ducted / Recirculating power level Maximum | 500 / 500 | 507 / 509 |
| - Ducted / Recirculating power level Intensive | 622 / 615 | 623 / 615 |
| Noise level (sound power) based on dB(A) re 1 pW ^(3,4) | - | - |
| - Ducted / Recirculating power level Minimum | 42 / 41 | 42 / 41 |
| - Ducted / Recirculating power level Maximum | 69 / 68 | 70 / 68 |
| - Ducted / Recirculating power level Intensive | 74 / 72 | 74 / 72 |
| Motor power (W) | 170 | 170 |
| OPTIONAL ACCESSORIES | | |
| Wireless sensor probe | HEZ39050 | - |
| Cookware set | HEZ9SE030 | HEZ9SE030 |
| Rectangular roasting pan with lid (approx. 320x200mm) | HEZ390011 | HEZ390011 |
| Steamer pan insert of use with HEZ390011 roasting pan | HEZ390012 | HEZ390012 |
| Teppan Yaki (approx. 400x200mm) | HEZ390512 | - |
| Griddle plate (approx. 400x200mm) | HEZ390522 | - |
| Acoustics Filter | HEZ9VEDUO | HEZ9VEDUO |
| Replacement recirculation filters | HEZ9VRCRO | HEZ9VRCRO |
| Diffuser required for ducted recirculation | HEZ9VRPD1 | HEZ9VRPD1 |
| Ducted recirculation starter kit for min. 60cm deep worktops. | HEZ9VDKR1 | HEZ9VDKR1 |
| Ducted recirculation starter kit for min. 70cm deep worktops. | HEZ9VDKRO | HEZ9VDKRO |

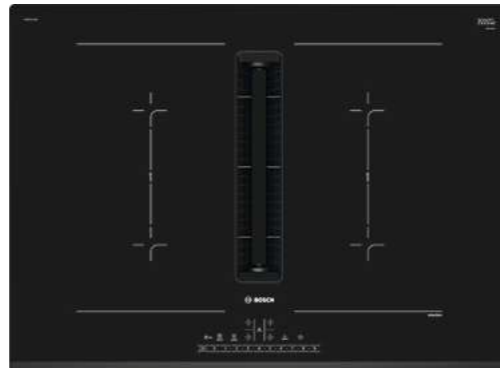
Series 8

PXX875D67E



Series 6

PVQ731F15E



● = Yes - = No

¹ Power automatically reverts back to normal setting after intensive.

² A type of recirculating kit is required if recirculating.

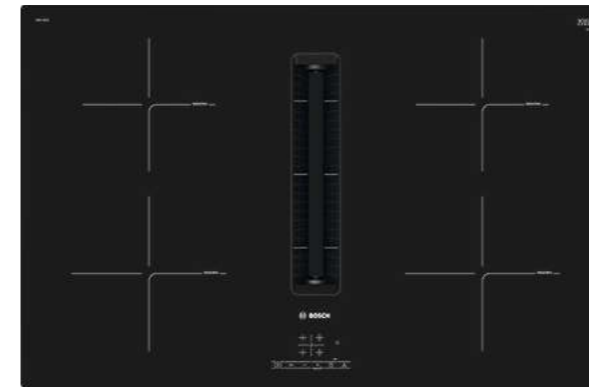
³ Measured according to EN61591 on largest pipe diameter.

Data valid in this table as of April 2023. Subject to modification without prior notice.

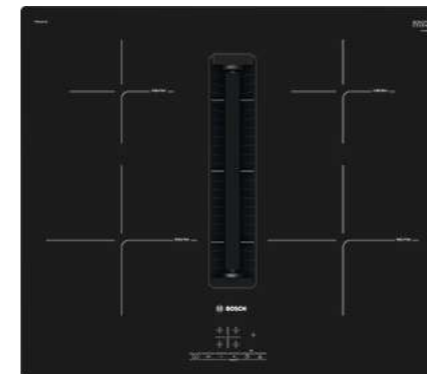
All models comply with COMMISSION REGULATION (EC) No 1275/2008 with regard to ecodesign requirements for standby and off mode electric power consumption. For full specification details, please log onto our website and download a full specification sheet.

Series 4

PIE811B15E



PIE611B15E



● = Yes - = No

¹ Power automatically reverts back to normal setting after intensive.

² A type of recirculating kit is required if recirculating.

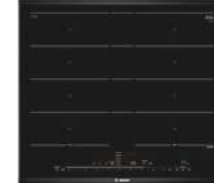
³ Measured according to EN61591 on largest pipe diameter.

Data valid in this table as of April 2023. Subject to modification without prior notice.

All models comply with COMMISSION REGULATION (EC) No 1275/2008 with regard to ecodesign requirements for standby and off mode electric power consumption. For full specification details, please log onto our website and download a full specification sheet.

| TYPE | FLEX INDUCTION | FLEX INDUCTION |
|---|----------------------|----------------------|
| SERIES | SERIES 4 | SERIES 4 |
| MODEL NUMBER | PIE811B15E | PIE611B15E |
| Width in mm | 802 | 592 |
| Control position | Front | Front |
| Control type | TouchSelect | TouchSelect |
| Style | Front Bevel | Front Bevel |
| KEY FEATURES | | |
| Home Connect | - | - |
| Integrated extractor | ● | ● |
| PerfectCook temperature sensor ready | - | - |
| PerfectFry Sensor settings for hob | - | - |
| Automatic extraction | Auto-On | Auto-On |
| Number of Flex Induction zones | - | - |
| Number of Combi Induction zones | - | - |
| HOB FEATURES | | |
| Number of individual zones | 4 | 4 |
| Power levels | 17 | 17 |
| Power Boost | ● | ● |
| Pan Boost | - | - |
| Move Mode | - | - |
| Energy Consumption Display | - | - |
| Keep warm function | - | - |
| Quick Start | ● | ● |
| Automatic setting transfer | - | - |
| ReStart | ● | ● |
| Demo Mode | - | - |
| Dish Categories/ Setting Recommendations | - | - |
| Wipe protection function | ● | ● |
| SAFETY FEATURES | | |
| Residual Heat Indicator | ● | ● |
| Childproof Lock | ● | ● |
| Countdown timer | ● | ● |
| Safety Time Switch off | ● | ● |
| Pan recognition | ● | ● |
| Count up Timer | - | - |
| Main on/off switch | ● | ● |
| HOOD FEATURES | | |
| PerfectAir Sensor | - | - |
| Metal grease filter | ● | ● |
| Power levels | 3 + 1 Intensive | 3 + 1 Intensive |
| Automatic intensive revert setting | 6 minutes | 6 minutes |
| Automatic or manual control | ● | ● |
| Automatic after running: Extraction / Recirculation | 12 / 30 minutes | 12 / 30 minutes |
| Interval operation | ● | ● |
| Dishwasher safe grease filter cassette with spillage collection | Yes - 200ml capacity | Yes - 200ml capacity |
| Dishwasher safe spillage overflow collector | 700ml capacity | 700ml capacity |
| Electronic grease filter / cleanAir filter saturation indicators | ● | ● |
| PERFORMANCE / TECHNICAL INFORMATION - HOB | | |
| Nominal voltage (V) | 220-240 | 220-240 |
| Maximum power output (W) | 7400 | 7400 |
| Electrical cable length (cm) | 110 | 110 |
| Rear left zone - power (kW) / dimensions (mm) | 1.40 180x180 | 1.80 150x150 |
| Rear right zone - power (kW) / dimensions (mm) | 1.40 180x180 | 1.80 150x150 |
| Front left zone - power (kW) / dimensions (mm) | 2.20 210x210 | 2.20 210x210 |
| Front right zone - power (kW) / dimensions (mm) | 2.20 210x210 | 2.20 210x210 |
| Flex Induction Zone left - power (kW) / dimensions (mm) | - - | - - |
| Flex Induction Zone right - power (kW) / dimensions (mm) | - - | - - |
| Combi Zone left - power (kW) / dimensions (mm) | - - | - - |
| Combi Zone right - power (kW) / dimensions (mm) | - - | - - |
| Rear left zone - with Power Boost (max. kW) | 2.20 | 3.10 |
| Rear right zone - with Power Boost (max. kW) | 2.20 | 3.10 |
| Front left zone - with Power Boost (max. kW) | 3.70 | 3.70 |
| Front right zone - with Power Boost (max. kW) | 3.70 | 3.70 |
| PERFORMANCE / TECHNICAL INFORMATION - EXTRACTOR | | |
| Extractor Energy Efficiency Rating | B | B |
| Extraction rate in m ³ /h ^(1,2) | - | - |
| - Ducted / Recirculating power level Minimum | 169 / 181 | 169 / 181 |
| - Ducted / Recirculating power level Maximum | 551 / 594 | 551 / 594 |
| - Ducted / Recirculating power level Intensive | 684 / 722 | 684 / 722 |
| Noise level (sound power) based on dB(A) re 1 pW ^(3,4) | - | - |
| - Ducted / Recirculating power level Minimum | 49 / 47 | 49 / 47 |
| - Ducted / Recirculating power level Maximum | 58 / 57 | 58 / 57 |
| - Ducted / Recirculating power level Intensive | 72 / 70 | 72 / 70 |
| Motor power (W) | 170 | 170 |
| OPTIONAL ACCESSORIES | | |
| Wireless temperature sensor | - | - |
| Cookware set | HEZ9SE030 | HEZ9SE030 |
| Rectangular roasting pan with lid (approx. 320x200mm) | - | - |
| Steamer pan insert of use with HEZ390011 roasting pan | - | - |
| Teppan Yaki (approx. 400x200mm) | - | - |
| Griddle plate (approx. 400x200mm) | - | - |
| Ducted operation using accessory kit | HEZ9VEDUO | HEZ9VEDUO |
| Replacement recirculation filters | HEZ9VRCRO | HEZ9VRCRO |
| Diffuser required for ducted recirculation | HEZ9VRPD1 | HEZ9VRPD1 |
| Ducted recirculation starter kit for min. 60cm deep worktops. | HEZ9VDKR1 | HEZ9VDKR1 |
| Ducted recirculation starter kit for min. 70cm deep worktops. | HEZ9VDKRO | HEZ9VDKRO |

Refer to page 46 to read more about the installation process.



| TYPE | FLEX INDUCTION | | FLEX INDUCTION | | FLEX INDUCTION | |
|---|--------------------|---------|--------------------|---------|----------------------|---------|
| DESIGN FAMILY | SERIES 8 | | SERIES 8 | | SERIES 8 | |
| MODEL NUMBER | PXX975KW1E | | PXY875KW1E | | PXV875DV1E | |
| Width in mm | 916 | | 816 | | 816 | |
| Control position | Front | | Front | | Front | |
| Control type | Full Touch Display | | Full Touch Display | | DirectSelect Premium | |
| Style | Comfort Profile | | Comfort Profile | | Comfort Profile | |
| KEY FEATURES | | | | | | |
| Home Connect | ● | | ● | | ● | |
| Hob Hood Control | ● | | ● | | ● | |
| PerfectCook temperature sensor ready | HEZ39050 required | | HEZ39050 required | | - | |
| PerfectFry Sensor settings | 5 settings | | 5 settings | | 5 settings | |
| Extended Flex Induction Zone | - | | 2 | | - | |
| Number of Flex Induction Zones | 3 | | 2 | | 1 | |
| Number of Combi Zones | - | | - | | - | |
| HOB FEATURES | | | | | | |
| Number of individual zones | 5 | | 4 | | 5 | |
| Cooking Levels | 17 | | 17 | | 17 | |
| Power Boost | ● | | ● | | ● | |
| Pan Boost | ● | | ● | | ● | |
| Move Mode | 3-steps | | 3-steps | | 3-steps | |
| Energy Consumption Display | ● | | ● | | ● | |
| Keep Warm Function | ● | | ● | | ● | |
| Quick Start Function | ● | | ● | | ● | |
| Automatic setting transfer | ● | | ● | | - | |
| Restart Function | ● | | ● | | ● | |
| Demo Mode | ● | | ● | | ● | |
| Dish Categories/ Setting Recommendations | ● | | ● | | - | |
| Wipe Protection Function | ● | | ● | | ● | |
| *Plug&Play* with GB Plug | - | | - | | - | |
| SAFETY FEATURES | | | | | | |
| Residual Heat Indicator | ● | | ● | | ● | |
| Childproof Lock | ● | | ● | | ● | |
| Countdown timer | ● | | ● | | ● | |
| Safety Time Switch off | ● | | ● | | ● | |
| Pan recognition | ● | | ● | | ● | |
| Quick Stop | - | | - | | - | |
| Count up Timer | ● | | ● | | ● | |
| Main on/off switch | ● | | ● | | ● | |
| PERFORMANCE / TECHNICAL INFORMATION | | | | | | |
| Maximum power output (kW) | 11100 | | 7400 | | 7400 | |
| Nominal voltage (V) | 220-240 | | 220-240 | | 220-240 | |
| Electrical cable length (cm) | 110 | | 110 | | 110 | |
| Rear left Flex Induction zone - power (kW) / dimensions (mm) | 2.20 | 200x240 | 2.20 | 200x230 | - | - |
| Rear left zone - power (kW) / diameter (mm) | - | - | - | - | 1.40 | 145 |
| Rear right Flex Induction zone - power (kW) / dimensions (mm) | 2.20 | 200x240 | 2.20 | 200x230 | 2.20 | 200x210 |
| Rear right zone - power (kW) / diameter (mm) | - | - | - | - | - | - |
| Rear centre zone - power (kW) / diameter (mm) | 2.60 | 300x240 | - | - | 2.20 | 240 |
| Front centre zone - power (kW) / diameter (mm) | - | - | - | - | - | - |
| Front left Flex Induction zone - power (kW) / dimensions (mm) | 2.20 | 200x240 | 2.20 | 200x230 | - | - |
| Front left zone - power (kW) / diameter (mm) | - | - | - | - | 1.80 | 180 |
| Front right Flex Induction zone - power (kW) / dimensions (mm) | 2.20 | 200x240 | 2.20 | 200x230 | 2.20 | 200x210 |
| Front right zone - power (kW) / diameter (mm) | - | - | - | - | - | - |
| Flex Induction zone left - power (kW) / dimensions (mm) | 3.30 | 400x240 | 3.30 | 400x230 | - | - |
| Flex Induction zone right - power (kW) / dimensions (mm) | 3.30 | 400x240 | 3.30 | 400x230 | 3.30 | 400x210 |
| Extended Flex Induction rear left - power (kW) / dimensions (mm) | - | - | 3.30 | 300x300 | - | - |
| Extended Flex Induction rear right - power (kW) / dimensions (mm) | - | - | 3.30 | 300x300 | - | - |
| Combi Zone left - power (kW) / dimensions (mm) | - | - | - | - | - | - |
| Combi Zone right - power (kW) / dimensions (mm) | - | - | - | - | - | - |
| Rear left zone - with Power Boost (max. kW) | 3.70 | | 3.70 | | 2.20 | |
| Rear right zone - with Power Boost (max. kW) | 3.70 | | 3.70 | | 3.70 | |
| Rear centre zone - with Power Boost (max. kW) | 3.70 | | - | | 3.70 | |
| Front left zone - with Power Boost (max. kW) | 3.70 | | 3.70 | | 3.10 | |
| Front right zone - with Power Boost (max. kW) | 3.70 | | 3.70 | | 3.70 | |

● = Yes - = No

Data valid in this table as of April 2023. Subject to modification without prior notice.

All models comply with COMMISSION REGULATION (EC) No 1275/2008 with regard to ecodesign requirements for standby and off mode electric power consumption. For full specification details, please log onto our website and download a full specification sheet.

| TYPE | FLEX INDUCTION | | FLEX INDUCTION | | FLEX INDUCTION | |
|---|----------------------|---------|---------------------|---------|---------------------|---------|
| DESIGN FAMILY | SERIES 8 | | SERIES 6 | | SERIES 6 | |
| MODEL NUMBER | PXX675DV1E | | PXV851FC1E | | PXE651FC1E | |
| Width in mm | 606 | | 802 | | 592 | |
| Control position | Front | | Front | | Front | |
| Control type | DirectSelect Premium | | DirectSelect | | DirectSelect | |
| Style | Comfort Profile | | Bevel Front & Sides | | Bevel Front & Sides | |
| KEY FEATURES | | | | | | |
| Home Connect | ● | | - | | - | |
| Hob Hood Control | ● | | - | | - | |
| PerfectCook temperature sensor ready | - | | - | | - | |
| PerfectFry Sensor settings | 5 settings | | 4 settings | | 4 settings | |
| Extended Flex Induction Zone | - | | - | | - | |
| Number of Flex Induction Zones | 2 | | 1 | | 1 | |
| Number of Combi Zones | - | | - | | - | |
| HOB FEATURES | | | | | | |
| Number of individual zones | 4 | | 5 | | 4 | |
| Cooking Levels | 17 | | 17 | | 17 | |
| Power Boost | ● | | ● | | ● | |
| Pan Boost | ● | | ● | | - | |
| Move Mode | 3-steps | | - | | - | |
| Energy Consumption Display | ● | | ● | | ● | |
| Keep Warm Function | ● | | - | | - | |
| Quick Start Function | ● | | ● | | ● | |
| Automatic setting transfer | - | | - | | - | |
| Restart Function | ● | | ● | | ● | |
| Demo Mode | ● | | - | | - | |
| Dish Categories/ Setting Recommendations | - | | - | | - | |
| Wipe Protection Function | ● | | ● | | ● | |
| *Plug&Play* with GB Plug | - | | - | | - | |
| SAFETY FEATURES | | | | | | |
| Residual Heat Indicator | ● | | ● | | ● | |
| Childproof Lock | ● | | ● | | ● | |
| Countdown timer | ● | | - | | - | |
| Safety Time Switch off | ● | | ● | | ● | |
| Pan recognition | ● | | ● | | ● | |
| Quick Stop | - | | - | | - | |
| Count up Timer | ● | | - | | - | |
| Main on/off switch | ● | | ● | | ● | |
| PERFORMANCE / TECHNICAL INFORMATION | | | | | | |
| Maximum power output (kW) | 7400 | | 7400 | | 7400 | |
| Nominal voltage (V) | 220-240 | | 220-240 | | 220-240 | |
| Electrical cable length (cm) | 110 | | 110 | | 110 | |
| Rear left Flex Induction zone - power (kW) / dimensions (mm) | 2.20 | 190x240 | - | - | 2.20 | 200x240 |
| Rear left zone - power (kW) / diameter (mm) | - | - | 1.40 | 145 | - | - |
| Rear right Flex Induction zone - power (kW) / dimensions (mm) | 2.20 | 190x240 | 2.20 | 200x210 | - | - |
| Rear right zone - power (kW) / diameter (mm) | - | - | - | - | 1.40 | 145 |
| Rear centre zone - power (kW) / diameter (mm) | - | - | 2.20 | 240 | - | - |
| Front centre zone - power (kW) / diameter (mm) | - | - | - | - | - | - |
| Front left Flex Induction zone - power (kW) / dimensions (mm) | 2.20 | 190x240 | - | - | 2.20 | 200x240 |
| Front left zone - power (kW) / diameter (mm) | - | - | 1.80 | 180 | - | - |
| Front right Flex Induction zone - power (kW) / dimensions (mm) | 2.20 | 190x240 | 2.20 | 200x210 | - | - |
| Front right zone - power (kW) / diameter (mm) | - | - | - | - | 2.20 | 210 |
| Flex Induction zone left - power (kW) / dimensions (mm) | 3.30 | 380x240 | - | - | 3.30 | 400x240 |
| Flex Induction zone right - power (kW) / dimensions (mm) | 3.30 | 380x240 | 3.30 | 400x210 | - | - |
| Extended Flex Induction rear left - power (kW) / dimensions (mm) | - | - | - | - | - | - |
| Extended Flex Induction rear right - power (kW) / dimensions (mm) | - | - | - | - | - | - |
| Combi Zone left - power (kW) / dimensions (mm) | - | - | - | - | - | - |
| Combi Zone right - power (kW) / dimensions (mm) | - | - | - | - | - | - |
| Rear left zone - with Power Boost (max. kW) | 3.70 | | 2.20 | | 3.70 | |
| Rear right zone - with Power Boost (max. kW) | 3.70 | | 3.70 | | 2.20 | |
| Rear centre zone - with Power Boost (max. kW) | - | | 3.70 | | - | |
| Front left zone - with Power Boost (max. kW) | 3.70 | | 3.10 | | 3.70 | |
| Front right zone - with Power Boost (max. kW) | 3.70 | | 3.70 | | 3.70 | |

● = Yes - = No

Data valid in this table as of April 2023. Subject to modification without prior notice.

All models comply with COMMISSION REGULATION (EC) No 1275/2008 with regard to ecodesign requirements for standby and off mode electric power consumption. For full specification details, please log onto our website and download a full specification sheet.



| TYPE | INDUCTION | INDUCTION | INDUCTION |
|---|---------------------|---------------------|---------------------|
| DESIGN FAMILY | SERIES 6 | SERIES 6 | SERIES 6 |
| MODEL NUMBER | PVW851FB5E | PIV851FB1E | PVQ651FC5E |
| Width in mm | 802 | 802 | 592 |
| Control position | Front | Front | Front |
| Control type | DirectSelect | DirectSelect | DirectSelect |
| Style | Bevel Front & Sides | Bevel Front & Sides | Bevel Front & Sides |
| KEY FEATURES | | | |
| Home Connect | - | - | - |
| Hob Hood Control | - | - | - |
| PerfectCook temperature sensor ready | - | - | - |
| PerfectFry Sensor settings | - | - | 4 settings |
| Extended Flex Induction Zone | - | - | - |
| Number of Flex Induction Zones | - | - | - |
| Number of Combi Zones | 1 | - | 1 |
| HOB FEATURES | | | |
| Number of individual zones | 5 | 5 | 4 |
| Cooking Levels | 17 | 17 | 17 |
| Power Boost | ● | ● | ● |
| Pan Boost | - | - | - |
| Move Mode | 2 steps | - | - |
| Energy Consumption Display | ● | ● | ● |
| Keep Warm Function | - | - | - |
| Quick Start Function | ● | ● | ● |
| Automatic setting transfer | - | - | - |
| Restart Function | ● | ● | - |
| Demo Mode | - | - | - |
| Dish Categories/ Setting Recommendations | - | - | - |
| Wipe Protection Function | ● | ● | ● |
| "Plug&Play" with GB Plug | - | - | - |
| SAFETY FEATURES | | | |
| Residual Heat Indicator | ● | ● | ● |
| Childproof Lock | ● | ● | ● |
| Countdown timer | - | - | - |
| Safety Time Switch off | ● | ● | ● |
| Pan recognition | ● | ● | ● |
| Quick Stop | - | - | - |
| Count up Timer | - | - | - |
| Main on/off switch | ● | ● | ● |
| PERFORMANCE / TECHNICAL INFORMATION | | | |
| Maximum power output (kW) | 7400 | 7400 | 7400 |
| Nominal voltage (V) | 220-240 | 220-240 | 220-240 |
| Electrical cable length (cm) | 110 | 110 | 110 |
| Rear left Flex Induction zone - power (kW) / dimensions (mm) | - | - | - |
| Rear left zone - power (kW) / diameter (mm) | 1.40 | 145 | 2.20 |
| Rear right Flex Induction zone - power (kW) / dimensions (mm) | - | - | - |
| Rear right zone - power (kW) / diameter (mm) | 2.20 | 210x190 | 2.20 |
| Rear centre zone - power (kW) / diameter (mm) | 2.20 | 240 | - |
| Front centre zone - power (kW) / diameter (mm) | - | - | - |
| Front left Flex Induction zone - power (kW) / dimensions (mm) | - | - | - |
| Front left zone - power (kW) / diameter (mm) | 1.80 | 180 | 2.20 |
| Front right Flex Induction zone - power (kW) / dimensions (mm) | - | - | - |
| Front right zone - power (kW) / diameter (mm) | 2.20 | 210x190 | 2.20 |
| Flex Induction zone left - power (kW) / dimensions (mm) | - | - | - |
| Flex Induction zone right - power (kW) / dimensions (mm) | - | - | - |
| Extended Flex Induction rear left - power (kW) / dimensions (mm) | - | - | - |
| Extended Flex Induction rear right - power (kW) / dimensions (mm) | - | - | - |
| Combi Zone left - power (kW) / dimensions (mm) | - | - | 3.60 |
| Combi Zone right - power (kW) / dimensions (mm) | 3.60 | 380x210 | 3.60 |
| Rear left zone - with Power Boost (max. kW) | 2.20 | 2.20 | 3.70 |
| Rear right zone - with Power Boost (max. kW) | 3.70 | 3.70 | 3.70 |
| Rear centre zone - with Power Boost (max. kW) | 3.70 | 3.70 | - |
| Front left zone - with Power Boost (max. kW) | 3.10 | 3.10 | 3.70 |
| Front right zone - with Power Boost (max. kW) | 3.70 | 3.70 | 3.70 |

● = Yes - = No

Data valid in this table as of April 2023. Subject to modification without prior notice.

All models comply with COMMISSION REGULATION (EC) No 1275/2008 with regard to ecodesign requirements for standby and off mode electric power consumption. For full specification details, please log onto our website and download a full specification sheet.

| TYPE | INDUCTION | INDUCTION | INDUCTION |
|---|---------------------|--------------|--------------|
| DESIGN FAMILY | SERIES 4 | SERIES 4 | SERIES 4 |
| MODEL NUMBER | PIE631BB5E | PWP611BB5E | PUE611BB5E |
| Width in mm | 592 | 592 | 592 |
| Control position | Front | Front | Front |
| Control type | TouchControl | TouchControl | TouchControl |
| Style | Bevel Front & Sides | Frameless | Frameless |
| KEY FEATURES | | | |
| Home Connect | - | - | - |
| Hob Hood Control | - | - | - |
| PerfectCook temperature sensor ready | - | - | - |
| PerfectFry Sensor settings | - | - | - |
| Extended Flex Induction Zone | - | - | - |
| Number of Flex Induction Zones | - | - | - |
| Number of Combi Zones | - | 1 | - |
| HOB FEATURES | | | |
| Number of individual zones | 4 | 4 | 4 |
| Cooking Levels | 17 | 17 | 17 |
| Power Boost | ● | ● | ● |
| Pan Boost | - | - | - |
| Move Mode | - | - | - |
| Energy Consumption Display | - | - | - |
| Keep Warm Function | - | - | - |
| Quick Start Function | ● | - | - |
| Automatic setting transfer | - | - | - |
| Restart Function | - | - | - |
| Demo Mode | - | - | - |
| Dish Categories/ Setting Recommendations | - | - | - |
| Wipe Protection Function | - | - | - |
| "Plug&Play" with GB Plug | - | - | - |
| SAFETY FEATURES | | | |
| Residual Heat Indicator | ● | ● | ● |
| Childproof Lock | ● | ● | ● |
| Countdown timer | - | - | - |
| Safety Time Switch off | ● | ● | ● |
| Pan recognition | ● | ● | ● |
| Quick Stop | - | - | - |
| Count up Timer | - | - | - |
| Main on/off switch | ● | ● | ● |
| PERFORMANCE / TECHNICAL INFORMATION | | | |
| Maximum power output (kW) | 7400 | 4600 | 4600 |
| Nominal voltage (V) | 220-240 | 220-240 | 220-240 |
| Electrical cable length (cm) | 110 | 110 | 110 |
| Rear left Flex Induction zone - power (kW) / dimensions (mm) | - | - | - |
| Rear left zone - power (kW) / diameter (mm) | 1.80 | 180 | 1.80 |
| Rear right Flex Induction zone - power (kW) / dimensions (mm) | - | - | - |
| Rear right zone - power (kW) / diameter (mm) | 1.40 | 145 | 1.40 |
| Rear centre zone - power (kW) / diameter (mm) | - | - | - |
| Front centre zone - power (kW) / diameter (mm) | - | - | - |
| Front left Flex Induction zone - power (kW) / dimensions (mm) | - | - | - |
| Front left zone - power (kW) / diameter (mm) | 1.80 | 180 | 1.80 |
| Front right Flex Induction zone - power (kW) / dimensions (mm) | - | - | - |
| Front right zone - power (kW) / diameter (mm) | 2.20 | 210 | 2.20 |
| Flex Induction zone left - power (kW) / dimensions (mm) | - | - | - |
| Flex Induction zone right - power (kW) / dimensions (mm) | - | - | - |
| Extended Flex Induction rear left - power (kW) / dimensions (mm) | - | - | - |
| Extended Flex Induction rear right - power (kW) / dimensions (mm) | - | - | - |
| Combi Zone left - power (kW) / dimensions (mm) | - | 3.60 | 388x180 |
| Combi Zone right - power (kW) / dimensions (mm) | - | - | - |
| Rear left zone - with Power Boost (max. kW) | 3.10 | 3.10 | 3.10 |
| Rear right zone - with Power Boost (max. kW) | 2.20 | 2.20 | 2.20 |
| Rear centre zone - with Power Boost (max. kW) | - | - | - |
| Front left zone - with Power Boost (max. kW) | 3.10 | 3.10 | 3.10 |
| Front right zone - with Power Boost (max. kW) | 3.70 | 3.70 | 3.70 |

● = Yes - = No

Data valid in this table as of April 2023. Subject to modification without prior notice.

5 year warranty - Offer dates 01.04.23 - 31.03.24. T&C's apply. Online registration required. Selected models only. All models comply with COMMISSION REGULATION (EC) No 1275/2008 with regard to ecodesign requirements for standby and off mode electric power consumption. For full specification details, please log onto our website and download a full specification sheet.

Induction hobs



| TYPE | INDUCTION | INDUCTION | INDUCTION |
|---|---------------|---------------|--------------------|
| DESIGN FAMILY | SERIES 4 | SERIES 4 | SERIES 2 |
| MODEL NUMBER | PWP611BB5B | PUE611BB5B | PUG61RAA5B |
| Width in mm | 592 | 592 | 592 |
| Control position | Front | Front | Front |
| Control type | Touch Control | Touch Control | Touch Select basic |
| Style | Frameless | Frameless | Frameless |
| KEY FEATURES | | | |
| Home Connect | - | - | - |
| Hob Hood Control | - | - | - |
| PerfectCook temperature sensor ready | - | - | - |
| PerfectFry Sensor settings | - | - | - |
| Extended Flex Induction Zone | - | - | - |
| Number of Flex Induction Zones | - | - | - |
| Number of Combi Zones | 1 | - | - |
| HOB FEATURES | | | |
| Number of individual zones | 3 | 4 | 4 |
| Cooking Levels | 17 | 17 | 9 |
| Power Boost | ● | ● | ● |
| Pan Boost | - | - | - |
| Move Mode | - | - | - |
| Energy Consumption Display | - | - | - |
| Keep Warm Function | - | - | - |
| Quick Start Function | ● | ● | ● |
| Automatic setting transfer | - | - | - |
| Restart Function | - | - | - |
| Demo Mode | - | - | - |
| Dish Categories/ Setting Recommendations | - | - | - |
| Wipe Protection Function | - | - | - |
| *Plug&Play* with GB Plug | ● | ● | ● |
| SAFETY FEATURES | | | |
| Residual Heat Indicator | ● | ● | ● |
| Childproof Lock | ● | ● | ● |
| Countdown timer | - | - | - |
| Safety Time Switch off | ● | ● | ● |
| Pan recognition | ● | ● | ● |
| Quick Stop | ● | ● | ● |
| Count up Timer | - | - | - |
| Main on/off switch | ● | ● | ● |
| PERFORMANCE / TECHNICAL INFORMATION | | | |
| Maximum power output (kW) | 3700 | 3700 | 3700 |
| Nominal voltage (V) | 220-240 | 220-240 | 220-240 |
| Electrical cable length (cm) | 110 | 110 | 110 |
| Rear left Flex Induction zone - power (kW) / dimensions (mm) | - | - | - |
| Rear left zone - power (kW) / diameter (mm) | 1.80 | 180 | 1.80 |
| Rear right Flex Induction zone - power (kW) / dimensions (mm) | - | - | - |
| Rear right zone - power (kW) / diameter (mm) | 1.40 | 145 | 1.40 |
| Rear centre zone - power (kW) / diameter (mm) | - | - | - |
| Front centre zone - power (kW) / diameter (mm) | - | - | - |
| Front left Flex Induction zone - power (kW) / dimensions (mm) | - | - | - |
| Front left zone - power (kW) / diameter (mm) | 1.80 | 180 | 1.80 |
| Front right Flex Induction zone - power (kW) / dimensions (mm) | - | - | - |
| Front right zone - power (kW) / diameter (mm) | 2.20 | 210 | 2.20 |
| Flex Induction zone left - power (kW) / dimensions (mm) | - | - | - |
| Flex Induction zone right - power (kW) / dimensions (mm) | - | - | - |
| Extended Flex Induction rear left - power (kW) / dimensions (mm) | - | - | - |
| Extended Flex Induction rear right - power (kW) / dimensions (mm) | - | - | - |
| Combi Zone left - power (kW) / dimensions (mm) | 3.00 | 388x180 | - |
| Combi Zone right - power (kW) / dimensions (mm) | - | - | - |
| Rear left zone - with Power Boost (max. kW) | 3.00 | 3.00 | 3.10 |
| Rear right zone - with Power Boost (max. kW) | 2.20 | 2.20 | - |
| Rear centre zone - with Power Boost (max. kW) | - | - | - |
| Front left zone - with Power Boost (max. kW) | 3.00 | 3.00 | - |
| Front right zone - with Power Boost (max. kW) | 3.00 | 3.00 | - |

● = Yes - = No

Data valid in this table as of April 2023. Subject to modification without prior notice.

All models comply with COMMISSION REGULATION (EC) No 1275/2008 with regard to ecodesign requirements for standby and off mode electric power consumption. For full specification details, please log onto our website and download a full specification sheet.

Ceramic hobs



| TYPE | CERAMIC | CERAMIC | CERAMIC |
|--|---------------|------------|---------------|
| DESIGN FAMILY | SERIES 4 | SERIES 4 | SERIES 2 |
| MODEL NUMBER | PKN811BA2E | PKE61RAA8B | PKE611CA3E |
| Width in mm | 802mm | 592mm | 592mm |
| Control position | Front | Front | Side |
| Control type | Touch Control | Easy Touch | Control Dials |
| Style | Frameless | Frameless | Frameless |
| KEY FEATURES | | | |
| Number of individual zones | 4 | 4 | 4 |
| No. of Dual Zones | 1 | - | - |
| No. of Extendable Zones | 2 | - | - |
| Power levels | 17 | 9 | 9 |
| Digital display | ● | ● | - |
| Restart Function | ● | ● | - |
| SAFETY FEATURES | | | |
| Main on/off switch | ● | ● | - |
| Two stage residual heat indicators | ● | ● | - |
| Childproof lock | ● | ● | - |
| Timed safety switch off | ● | ● | - |
| PERFORMANCE / TECHNICAL INFORMATION | | | |
| Nominal voltage (V) | 220-240 | 220-240 | 220-240 |
| Maximum power output (W) | 7500 | 6600 | 6600 |
| Electrical cable length (cm) | 110 | 100 | 110 |
| GB plug | - | - | - |
| Rear left zone - power (kW) / diameter (mm) | 1.80 | 170 | 2 |
| Rear right zone - power (kW) / diameter (mm) | 1.20 | 145 | 1.20 |
| Rear centre zone - power (kW) / diameter (mm) | - | - | - |
| Front left zone - power (kW) / diameter (mm) | 2 | 180 | 1.20 |
| Front right zone - power (kW) / diameter (mm) | 0.75 | 120 | 2.20 |
| Rear left zone dual - power (kW) / diameter (mm) | 2.60 | 265 | - |
| Rear right zone dual - power (kW) / diameter (mm) | - | - | - |
| Front left zone dual - power (kW) / diameter (mm) | - | - | - |
| Front right zone dual - power (kW) / diameter (mm) | 2.20 | 210 | - |

● = Yes - = No

Data valid in this table as of April 2023. Subject to modification without prior notice.

All models comply with COMMISSION REGULATION (EC) No 1275/2008 with regard to ecodesign requirements for standby and off mode electric power consumption. For full specification details, please log onto our website and download a full specification sheet.



| TYPE | GAS | GAS | GAS |
|--|----------------|----------------|----------------|
| DESIGN FAMILY | SERIES 6 | SERIES 6 | SERIES 6 |
| STAINLESS STEEL/STAINLESS STEEL TRIM | - | - | - |
| BLACK/PREMIUM BLACK | PPS9A6B90 | PPQ7A6B90 | PPP6A6B90 |
| WHITE/PREMIUM WHITE | - | - | - |
| Width (mm) | 915 | 752 | 590 |
| Control position | Front | Front | Front |
| Installation flush with work top possible | ● | ● | ● |
| "Diamond" shape burner layout | - | - | - |
| Hob surface type | Tempered glass | Tempered glass | Tempered glass |
| KEY FEATURES | | | |
| Flame Select power controls | ● | ● | ● |
| Digital power level display | - | - | - |
| Number of dual circuit wok style burners | 1 | 1 | - |
| High power (5.0kW+) wok burner | - | - | - |
| Dual control wok burner | ● | ● | - |
| FEATURES | | | |
| Number of cooking zones | 5 | 5 | 4 |
| Individual power levels | 9 | 9 | 9 |
| Variable power levels | - | - | - |
| Ignition via control dials | ● | ● | ● |
| Flame failure safety device | ● | ● | ● |
| Cast iron pan supports (number) | 5 | 5 | 4 |
| Cast iron finish pan supports (number) | - | - | - |
| Enamelled steel pan supports (number) | - | - | - |
| Two piece burners | ● | ● | ● |
| PERFORMANCE / TECHNICAL INFORMATION | | | |
| Nominal voltage (V) | 220-240 | 220-240 | 220-240 |
| Maximum gas power output load (W) | 11500 | 11500 | 7500 |
| Total connected electrical load (W) | 1.1 | 1.1 | 1.1 |
| Cable length (cm) | 150 | 100 | 100 |
| GB plug | - | - | - |
| Left burner power (kW) | 4.00 | - | - |
| Front left burner power (kW) | - | 1.00 | 1.75 |
| Back left burner power (kW) | - | 1.75 | 1.75 |
| Centre/Centre front burner power (kW) | 1.00 | 4.00 | - |
| Centre back burner power (kW) | 1.75 | - | - |
| Front right burner power (kW) | 1.75 | 1.75 | 1.00 |
| Back right burner power (kW) | 3.00 | 3.00 | 3.00 |
| Right burner power (kW) | - | - | - |
| Pre-set for natural gas | ● | ● | ● |
| CE Marked | ● | ● | ● |
| STANDARD ACCESSORY | | | |
| LPG jets | 28-30/37mbar | 28-30/37mbar | 28-30/37mbar |

● = Yes - = No

Data valid in this table as of April 2023. Subject to modification without prior notice.

| TYPE | GAS | GAS | GAS |
|--|--------------|--------------|--------------|
| DESIGN FAMILY | SERIES 6 | SERIES 6 | SERIES 6 |
| STAINLESS STEEL/STAINLESS STEEL TRIM | PCR9A5B90 | PCS7A5B90 | PCQ7A5B90 |
| BLACK/PREMIUM BLACK | - | - | - |
| WHITE/PREMIUM WHITE | - | - | - |
| Width (mm) | 915 | 750 | 750 |
| Control dial position | Front | Front | Front |
| Installation flush with work top possible | - | - | - |
| "Diamond" shape burner layout | - | - | - |
| Hob surface type | Metal | Metal | Metal |
| KEY FEATURES | | | |
| Flame Select power controls | ● | ● | ● |
| Digital power level display | - | - | - |
| Number of dual circuit wok style burners | 1 | 1 | 1 |
| High power (5.0kW+) wok burner | ● | ● | - |
| Dual control wok burner | ● | ● | - |
| FEATURES | | | |
| Number of cooking zones | 5 | 5 | 5 |
| Individual power levels | 9 | 9 | 9 |
| Variable power levels | - | - | - |
| Ignition via control dials | ● | ● | ● |
| Flame failure safety device | ● | ● | ● |
| Cast iron pan supports (number) | 3 | 3 | 3 |
| Cast iron finish pan supports (number) | - | - | - |
| Enamelled steel pan supports (number) | - | - | - |
| Two piece burners | ● | ● | ● |
| PERFORMANCE / TECHNICAL INFORMATION | | | |
| Nominal voltage (V) | 220-240 | 220-240 | 220-240 |
| Maximum gas power output load (W) | 12500 | 12500 | 11500 |
| Total connected electrical load (W) | 1.1 | 1.1 | 1.1 |
| Cable length (cm) | 150 | 100 | 100 |
| GB plug | - | - | - |
| Left burner power (kW) | - | 5.00 | - |
| Front left burner power (kW) | 1.00 | - | 1.00 |
| Back left burner power (kW) | 1.75 | - | 1.75 |
| Centre/Centre front burner power (kW) | 5.00 | 1.00 | 4.00 |
| Centre back burner power (kW) | - | 1.75 | - |
| Front right burner power (kW) | 1.75 | 1.75 | 1.75 |
| Back right burner power (kW) | 3.00 | 3.00 | 3.00 |
| Right burner power (kW) | - | - | - |
| Pre-set for natural gas | ● | ● | ● |
| CE Marked | ● | ● | ● |
| STANDARD ACCESSORY | | | |
| LPG jets | 28-30/37mbar | 28-30/37mbar | 28-30/37mbar |

● = Yes - = No

Data valid in this table as of April 2023. Subject to modification without prior notice.



| TYPE | GAS | GAS | GAS | GAS |
|--|--------------|--------------|--------------|--------------|
| DESIGN FAMILY | SERIES 6 | SERIES 6 | SERIES 6 | SERIES 4 |
| STAINLESS STEEL/STAINLESS STEEL TRIM | PC16A5B90 | PCH6A5B90 | PCP6A5B90 | PGQ7B5B90 |
| BLACK/PREMIUM BLACK | - | - | PCP6A6B90 | - |
| WHITE/PREMIUM WHITE | - | - | - | - |
| Width (mm) | 582 | 582 | 582 | 750 |
| Control dial position | Front | Front | Front | Front |
| Installation flush with work top possible | - | - | - | - |
| "Diamond" shape burner layout | • | - | - | - |
| Hob surface type | Metal | Metal | Metal | Metal |
| KEY FEATURES | | | | |
| Flame Select power controls | • | • | • | - |
| Digital power level display | - | - | - | - |
| Number of dual circuit wok style burners | 1 | 1 | - | 1 |
| High power (5.0kW+) wok burner | - | - | - | - |
| Dual control wok burner | - | - | - | - |
| FEATURES | | | | |
| Number of cooking zones | 4 | 4 | 4 | 5 |
| Individual power levels | 9 | 9 | 9 | - |
| Variable power levels | - | - | - | • |
| Ignition via control dials | • | • | • | • |
| Flame failure safety device | • | • | • | • |
| Cast iron pan supports (number) | 2 | 2 | 2 | 2 |
| Cast iron finish pan supports (number) | - | - | - | - |
| Enamelled steel pan supports (number) | - | - | - | - |
| Two piece burners | • | • | • | • |
| PERFORMANCE / TECHNICAL INFORMATION | | | | |
| Nominal voltage (V) | 220-240 | 220-240 | 220-240 | 220-240 |
| Maximum gas power output load (W) | 9750 | 8000 | 7500 | 10800 |
| Total connected electrical load (W) | 1.1 | 1.1 | 1.1 | 1.1 |
| Cable length (cm) | 100 | 100 | 100 | 150 |
| GB plug | - | - | - | - |
| Left burner power (kW) | 4.00 | - | - | - |
| Front left burner power (kW) | - | 1.75 | 1.75 | 1.00 |
| Back left burner power (kW) | - | 1.75 | 1.75 | 1.75 |
| Centre/Centre front burner power (kW) | 1.00 | - | - | 3.30 |
| Centre back burner power (kW) | 1.75 | - | - | - |
| Front right burner power (kW) | - | 1.00 | 1.00 | 1.75 |
| Back right burner power (kW) | - | 3.30 | 3.00 | 3.00 |
| Right burner power (kW) | 3.00 | - | - | - |
| Pre-set for natural gas | • | • | • | • |
| CE Marked | • | • | • | • |
| STANDARD ACCESSORY | | | | |
| LPG jets | 28-30/37mbar | 28-30/37mbar | 28-30/37mbar | 28-30/37mbar |

• = Yes - = No

Data valid in this table as of April 2023. Subject to modification without prior notice.



| TYPE | GAS | GAS | GAS | GAS |
|--|--------------|----------------|--------------|--------------|
| DESIGN FAMILY | SERIES 4 | SERIES 4 | SERIES 4 | SERIES 2 |
| STAINLESS STEEL/STAINLESS STEEL TRIM | PGP6B5B60 | - | PGP6B5B90 | PBP6B5B60 |
| BLACK/PREMIUM BLACK | - | PNP6B6B90 | - | PBP6B6B60 |
| WHITE/PREMIUM WHITE | - | - | - | PBP6B2B60 |
| Width (mm) | 582 | 590 | 582 | 580 |
| Control dial position | Front | Front | Front | Right Side |
| Installation flush with work top possible | - | • | - | - |
| "Diamond" shape burner layout | - | - | - | - |
| Hob surface type | Metal | Tempered glass | Metal | Metal |
| KEY FEATURES | | | | |
| Flame Select power controls | - | - | - | - |
| Digital power level display | - | - | - | - |
| Number of dual circuit wok style burners | - | - | - | - |
| High power (5.0kW+) wok burner | - | - | - | - |
| Dual control wok burner | - | - | - | - |
| FEATURES | | | | |
| Number of cooking zones | 4 | 4 | 4 | 4 |
| Individual power levels | - | - | - | - |
| Variable power levels | • | • | • | • |
| Ignition via control dials | • | • | • | • |
| Flame failure safety device | • | • | • | • |
| Cast iron pan supports (number) | - | 4 | 2 | - |
| Cast iron finish pan supports (number) | 2 | - | - | 2 |
| Enamelled steel pan supports (number) | - | - | - | - |
| Two piece burners | • | • | • | • |
| PERFORMANCE / TECHNICAL INFORMATION | | | | |
| Nominal voltage (V) | 220-240 | 220-240 | 220-240 | 220-240 |
| Maximum gas power output load (W) | 7500 | 7500 | 7500 | 7400 |
| Total connected electrical load (W) | 1.1 | 1.1 | 1.1 | 1.1 |
| Cable length (cm) | 100 | 100 | 100 | 100 |
| GB plug | - | - | - | - |
| Left burner power (kW) | - | - | - | - |
| Front left burner power (kW) | 1.75 | 1.75 | 1.75 | 3.00 |
| Back left burner power (kW) | 1.75 | 1.75 | 1.75 | 1.70 |
| Centre/Centre front burner power (kW) | - | - | - | - |
| Centre back burner power (kW) | - | - | - | - |
| Front right burner power (kW) | 1.00 | 1.00 | 1.00 | 1.00 |
| Back right burner power (kW) | 3.00 | 3.00 | 3.00 | 1.70 |
| Right burner power (kW) | - | - | - | - |
| Pre-set for natural gas | • | • | • | • |
| CE Marked | • | • | • | • |
| STANDARD ACCESSORY | | | | |
| LPG jets | 28-30/37mbar | 28-30/37mbar | 28-30/37mbar | 28-30/37mbar |

• = Yes - = No

Data valid in this table as of April 2023. Subject to modification without prior notice.



| TYPE | GAS | GAS |
|---------------|-----------|-----------|
| DESIGN FAMILY | SERIES 8 | SERIES 8 |
| MODEL NUMBER | PRA3A6B70 | PRB3A6B70 |

| | | |
|------------------|-------|-------|
| Width in mm | 306 | 306 |
| Control position | Front | Front |

KEY FEATURES

| | | |
|--|---------------|---------------|
| Flame Select power controls | ● | ● |
| Digital power level display | ● | ● |
| Number of dual circuit wok style burners | 1 | 2 |
| High power (5.0kW+) wok burner | ● | - |
| Dual control wok burner | ● | - |
| *"Diamond" shape burner layout | - | - |
| Hob surface type | Ceramic glass | Ceramic glass |

FEATURES

| | | |
|--|---------------------|---------------------|
| Number of cooking zones | 1 | 2 |
| Individual power levels | 9 | 9 |
| Variable power levels | - | - |
| Ignition via control dials | ● | ● |
| Flame failure safety device | ● | ● |
| Cast iron pan supports (number) | 1 x Dishwasher safe | 1 x Dishwasher safe |
| Cast iron finish pan supports (number) | - | - |
| Enamelled steel pan supports (number) | - | - |
| Low profile single piece burners | ● | ● |
| Two piece burners | - | - |
| Comfort Profile | ● | ● |
| Can be combined with other models with Comfort Profile | ● | ● |
| Installation flush with work top possible | - | - |

PERFORMANCE / TECHNICAL INFORMATION

| | | |
|---------------------------------------|---------|---------|
| Nominal voltage (V) | 220-240 | 220-240 |
| Maximum gas power output load (W) | 6100 | 4700 |
| Total connected electrical load (W) | 1.0 | 1.0 |
| Cable length (cm) | 100 | 150 |
| GB plug | - | - |
| Left burner power (kW) | - | - |
| Front left burner power (kW) | - | - |
| Back left burner power (kW) | - | - |
| Centre/Centre front burner power (kW) | 6.00 | 1.90 |
| Centre back burner power (kW) | - | 2.80 |
| Front right burner power (kW) | - | - |
| Back right burner power (kW) | - | - |
| Right burner power (kW) | - | - |
| Pre-set for natural gas | ● | ● |
| CE Marked | ● | ● |

STANDARD ACCESSORY

| | | |
|----------|--------------|--------------|
| LPG jets | 28-30/37mbar | 28-30/37mbar |
|----------|--------------|--------------|

OPTIONAL ACCESSORY

| | | |
|--|-----------|-----------|
| Connecting Strip to link to other Comfort Profile models | HEZ394301 | HEZ394301 |
|--|-----------|-----------|

● = Yes - - No

Data valid in this table as of April 2023. Subject to modification without prior notice.



| TYPE | INDUCTION |
|---------------|------------|
| DESIGN FAMILY | SERIES 6 |
| MODEL NUMBER | PIB375FB1E |

| | |
|------------------|-------|
| Width in mm | 306 |
| Control position | Front |

| | |
|--------------|-----------------|
| Control type | DirectSelect |
| Style | Comfort Profile |

KEY FEATURES

| | |
|------------------------------|---|
| Number of individual zones | - |
| Home Connect | - |
| Hood Control | - |
| 5" Full Touch colour display | - |
| Dish categories | - |
| Wireless temperature sensor | - |
| Wireless Sensor settings | - |

HOB FEATURES

| | |
|----------------------------|----|
| Number of individual zones | 2 |
| Power Levels | 17 |
| Power Boost | ● |
| Pan Boost | - |
| Move Mode | - |
| Energy Consumption Display | ● |
| Keep Warm Function | - |
| Quick Start Function | ● |
| Automatic setting transfer | - |
| Restart Function | ● |
| Dish categories | - |
| *Plug&Play* with GB Plug | - |
| Wipe protection function | - |

SAFETY FEATURES

| | |
|-------------------------|---|
| Residual Heat Indicator | ● |
| Childproof Lock | ● |
| Switch off timer | ● |
| Safety Time Switch off | ● |
| Count up Timer | ● |
| Pan recognition | ● |
| Main on/off switch | ● |

PERFORMANCE / TECHNICAL INFORMATION

| | |
|---|----------|
| Nominal voltage (V) | 220-240 |
| Maximum power output (W) | 3,700 |
| Electrical cable length (cm) | 110 |
| Rear left Flex Induction zone - power (kW) / dimensions (mm) | - - |
| Rear left zone - power (kW) / diameter (mm) | - - |
| Rear right Flex Induction zone - power (kW) / dimensions (mm) | - - |
| Rear right zone - power (kW) / diameter (mm) | - - |
| Rear centre zone - power (kW) / diameter (mm) | 2.20 210 |
| Front centre zone - power (kW) / diameter (mm) | 1.40 145 |
| Front left Flex Induction zone - power (kW) / dimensions (mm) | - - |
| Front left zone - power (kW) / diameter (mm) | - - |
| Front right Flex Induction zone - power (kW) / dimensions (mm) | - - |
| Front right zone - power (kW) / diameter (mm) | - - |
| Flex Induction zone left - power (kW) / dimensions (mm) | - - |
| Flex Induction zone right - power (kW) / dimensions (mm) | - - |
| Extended Flex Induction rear left - power (kW) / dimensions (mm) | - - |
| Extended Flex Induction rear right - power (kW) / dimensions (mm) | - - |
| Combi Zone left - power (kW) / dimensions (mm) | - - |
| Combi Zone right - power (kW) / dimensions (mm) | - - |
| Rear left zone - with Power Boost (max. kW) | - |
| Rear right zone - with Power Boost (max. kW) | - |
| Rear centre zone - with Power Boost (max. kW) | 3.70 |
| Front centre zone - with Power Boost (max. kW) | 2.20 |
| Front left zone - with Power Boost (max. kW) | - |
| Front right zone - with Power Boost (max. kW) | - |



| TYPE | CERAMIC |
|---------------|------------|
| DESIGN FAMILY | SERIES 4 |
| MODEL NUMBER | PKF375FP2E |

| | |
|------------------|-------|
| Width in mm | 306 |
| Control position | Front |

| | |
|--------------|-----------------|
| Control type | DirectSelect |
| Style | Comfort Profile |

KEY FEATURES

| | |
|---|----|
| Number of individual zones | 2 |
| No. Of Dual Zones | - |
| No. Of Extendable Zones | - |
| Power Boost | ● |
| Pan Boost | - |
| Power levels | 17 |
| Digital display | ● |
| Timer with automatic switch off for each zone | ● |

PERFORMANCE / TECHNICAL INFORMATION

| | |
|------------------------------------|---|
| Keep warm function | - |
| Wipe protection function | - |
| Main on/off switch | ● |
| Two stage residual heat indicators | ● |
| Safety lock | ● |
| Timed safety switch off | ● |

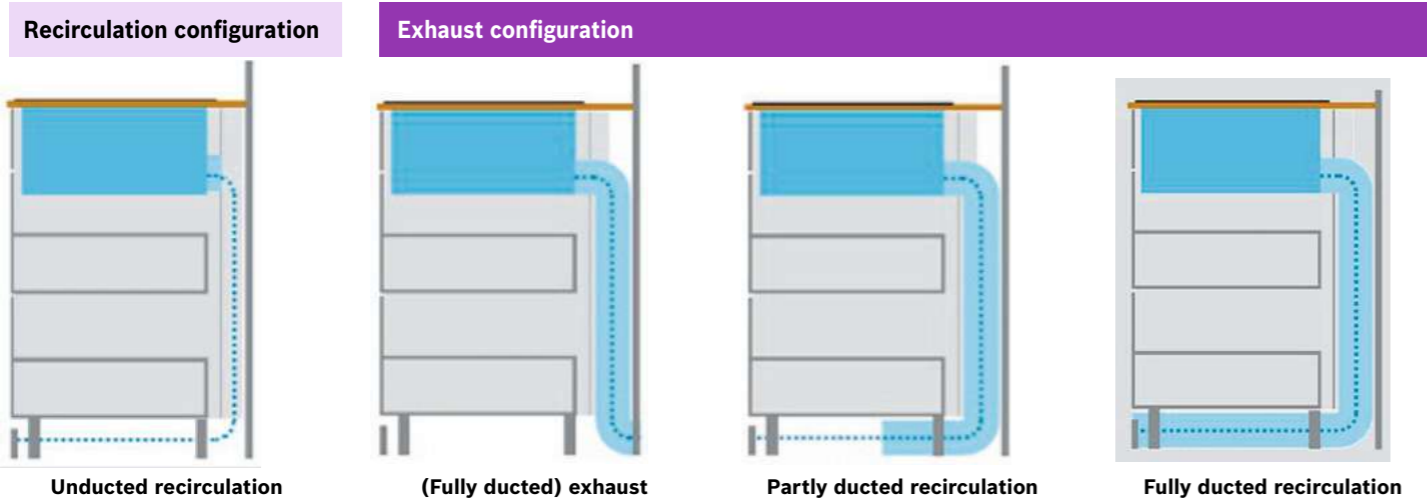
PERFORMANCE / TECHNICAL INFORMATION

| | |
|--|----------|
| Nominal voltage (V) | 220-240 |
| Maximum power output (W) | 3500 |
| Electrical cable length (cm) | 100 |
| GB plug | - |
| Rear left zone - power (kW) / diameter (mm) | - - |
| Rear right zone - power (kW) / diameter (mm) | - - |
| Rear centre zone - power (kW) / diameter (mm) | 1.20 145 |
| Front centre zone - power (kW) / diameter (mm) | 2.20 210 |
| Front left zone - power (kW) / diameter (mm) | - - |
| Front right zone - power (kW) / diameter (mm) | - - |
| Rear left zone - with Power Boost (max. kW) | - |
| Rear right zone - with Power Boost (max. kW) | - |
| Rear centre zone - with Power Boost (max. kW) | - |
| Front centre zone - with Power Boost (max. kW) | - |
| Front left zone - with Power Boost (max. kW) | - |
| Front right zone - with powerBoost (max. kW) | - |

● = Yes - - No

Data valid in this table as of April 2023. Subject to modification without prior notice.

One venting hob, four installation possibilities.



HEZ9VRPD1 Diffuser
– Additional ducting required

Scan here to watch the installation video.

HEZ9VDKE1 Ducted exhaust starter kit –
Under plinth
Under floor

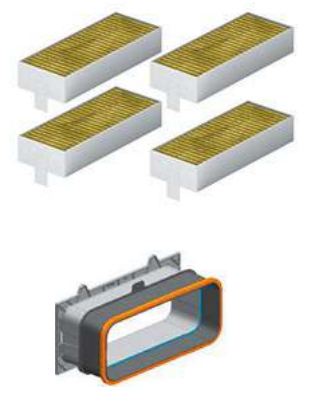
Scan here to watch the installation video.

HEZ9VDKR0 Recirculation kit 2 Lbow
60cm deep worktops
70cm deep worktops

Scan here to watch the installation video.

HEZ9VDKR1 Ducted exhaust starter kit –
60cm deep worktops
70cm deep worktops

Scan here to watch the installation video.



- Contains:**
- 4 x Clean Air Plus recirculating filters (HEZ9VRCR1)
 - Telescopic slider

- Contains:**
- 1 x Small radius bend (HEZ9VDSB4)
 - 1 x connector (HEZ9VSS1)
 - 1 x 50cm straight channel (HEZ9VDSM1)
 - 1 x set of 4 acoustic filters

- Contains:**
- 1 x Small radius bend (HEZ9VDSB4)
 - 1 x Large radius bend (HEZ9VDSB2)
 - 3 x connectors (HEZ9VSS1)
 - 1 x 50cm straight channel (HEZ9VDSM1)
 - 1 x diffuser (HEZ9VRPD1)

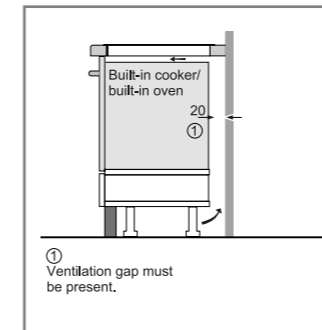
- Contains:**
- 1 x Small radius bend (HEZ9VDSB4)
 - 1 x Large radius bend (HEZ9VDSB2)
 - 3 x connectors (HEZ9VSS1)
 - 1 x 50cm straight channel (HEZ9VDSM1)
 - 1 x diffuser HEZ9VRPD1

Ducting component accessories

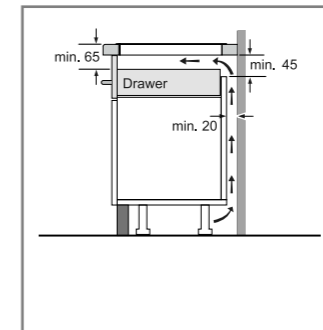
| Description | Code |
|--|-----------|
| Flat channel ducting component, straight length, 100cm long. Ducting component outlet size: 222mm x 89mm. | HEZ9VDSM2 |
| Flat channel ducting component, straight length, 50cm long. Ducting component outlet size: 222mm x 89mm. | HEZ9VDSM1 |
| Flat channel 90° horizontal bend. Ducting component outlet size: 222mm x 89mm. | HEZ9VDSB1 |
| Flat channel 90° vertical bend (large Radius), suitable for 70cm worktop depths. Ducting component outlet size: 222mm x 89mm. | HEZ9VDSB2 |
| Flat channel 90° vertical bend (medium Radius), suitable for 65cm worktop depths. Ducting component outlet size: 222mm x 89mm. | HEZ9VDSB3 |
| Flat channel 90° vertical bend (short Radius), suitable for 60cm worktop depths. Ducting component outlet size: 222mm x 89mm. | HEZ9VDSB4 |
| Connection piece for use between ducting components and bends. Ducting component size: 223mm x 90mm. | HEZ9VSS1 |
| Flexible Connection piece for use between ducting components and bends. Ducting component size: 223mm x 90mm. | HEZ9VSS2 |
| Straight Adaptor / Converter flat to round (Ø 150mm). Ducting component outlet size: 222mm x 89mm. | HEZ9VDSI0 |
| 90° Adaptor / Converter flat to round (Ø 150mm). Ducting component outlet size: 222 mm x 89mm. | HEZ9VDSI1 |
| Replacement recirculation filters. Includes 1 x set of Clean Air recirculation filters. | HEZ9VCRO |

Electric hobs technical diagrams

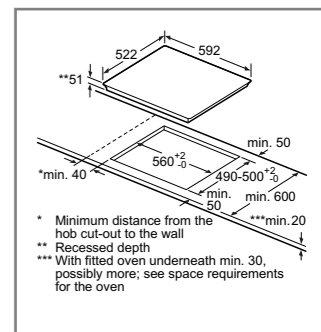
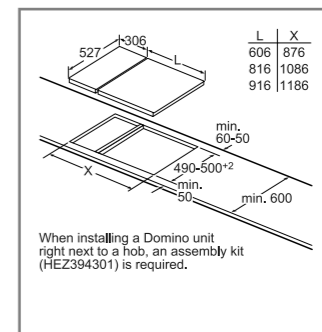
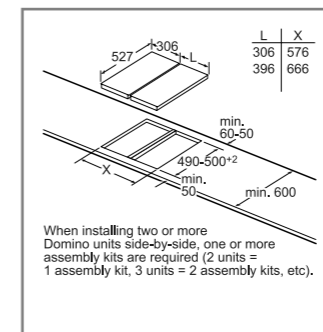
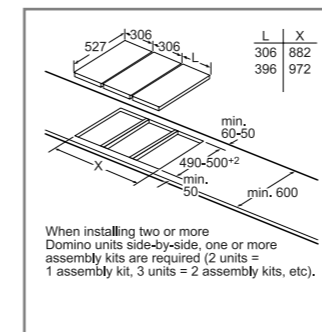
All models



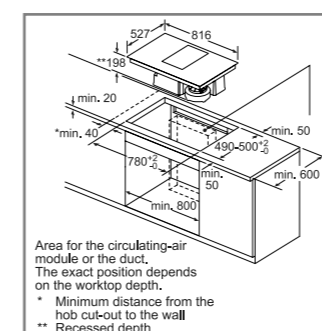
Induction all models



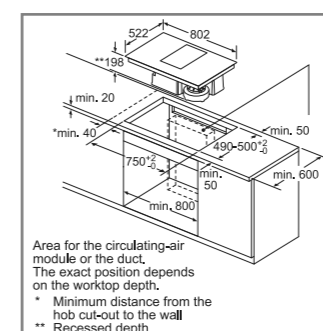
Induction all models



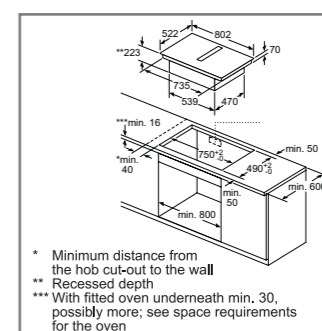
Venting Hobs



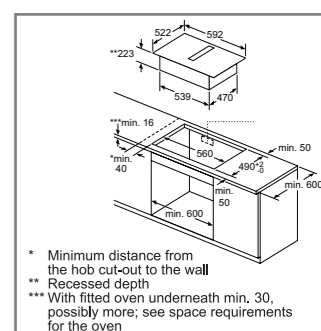
PXX875D67E



PVQ731F15E



PIE811B15E

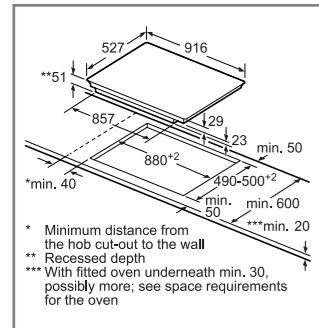


PIE611B15E

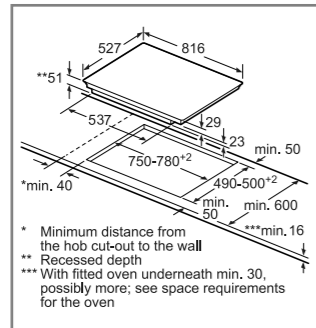
All diagram measurements are in millimetres (mm)
We try to keep up to date with constant technological improvements, so from time to time we may update installation guidelines. Therefore we strongly recommend that you download the latest installation guidelines from www.bosch-home.ie. Line drawings are for guidance only, and we recommend that you refer to the latest installation guidelines. Though every care is taken to ensure instructions are correct at the time of printing, Bosch cannot accept responsibility for incorrect planning or installation as a result of the use of these line drawings.

Electric hobs technical diagrams

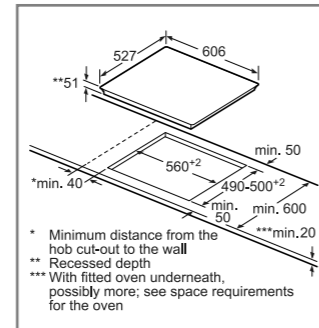
FlexInduction hobs



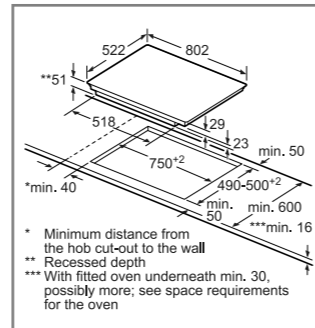
PXX975KW1E



PXY875KW1E, PXV875DV1E

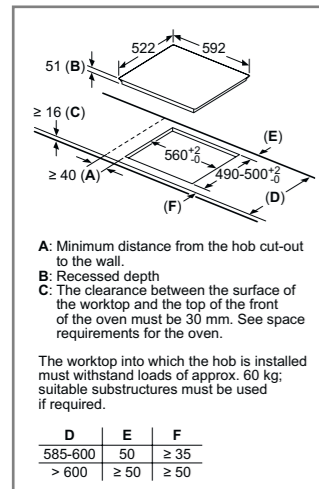


PXX675DV1E

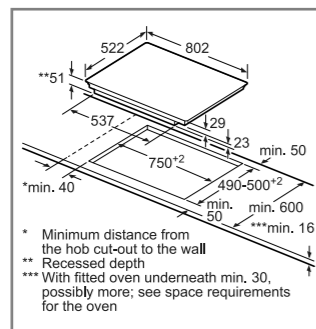


PXV851FC1E

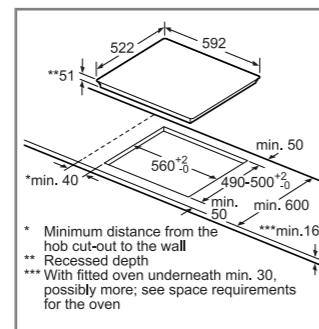
Induction hobs



PXE651FC1E

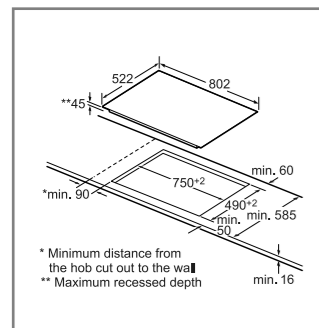


PVW851FB5E, PIV851FB1E

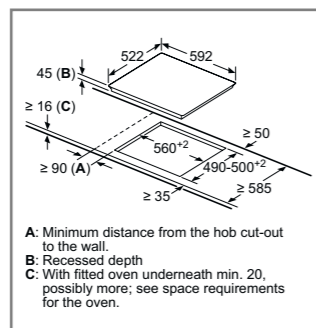


PVQ651FC5E, PIE631BB5E, PWP611BB5E, PUE611BB5E, PWP611BB5B, PUE611BB5B, PUG61RAA5B

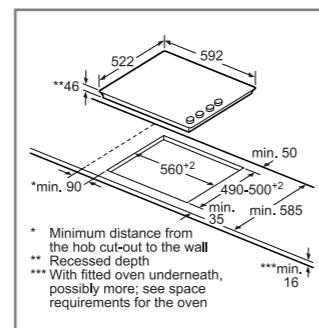
Quick-Therm Ceramic hobs



PKN811BA2E



PKE61RAA8B



PKE611CA3E

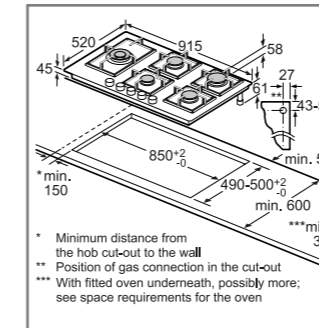
All diagram measurements are in millimetres (mm)

We try to keep up to date with constant technological improvements, so from time to time we may update installation guidelines. Therefore we strongly recommend that you download the latest installation guidelines from www.bosch-home.ie. Line drawings are for guidance only, and we recommend that you refer to the latest installation guidelines. Though every care is taken to ensure instructions are correct at the time of printing, Bosch cannot accept responsibility for incorrect planning or installation as a result of the use of these line drawings.

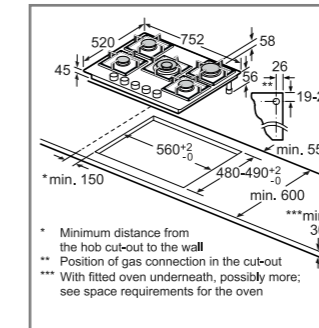
Explore more at bosch-home.ie

Gas hobs technical diagrams

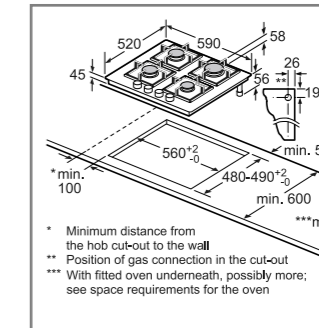
Gas hobs



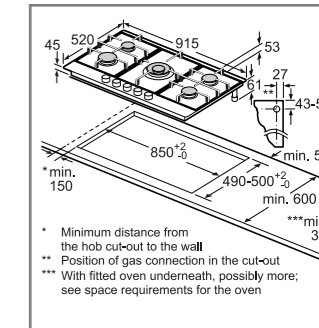
PPS9A6B90



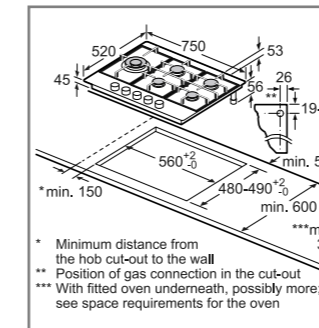
PPQ7A6B90



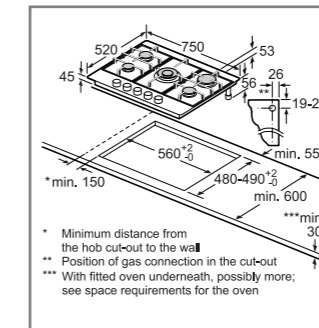
PPP6A6B90



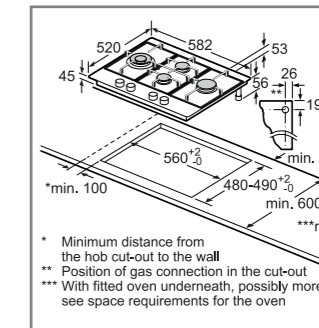
PCR9A5B90



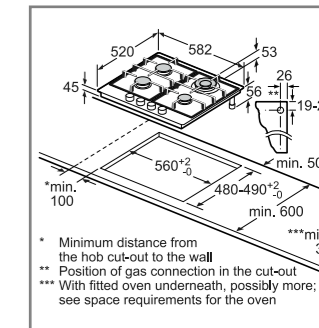
PCS7A5B90



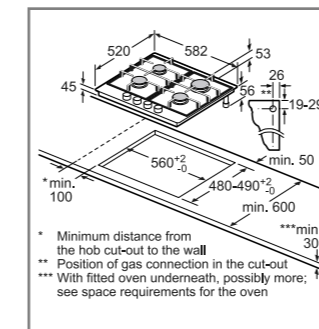
PCQ7A5B90, PGQ7B5B90



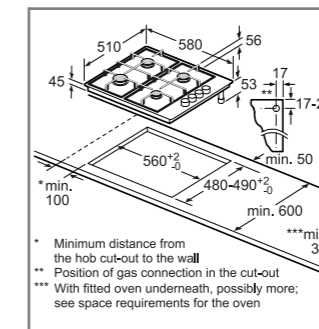
PCI6A5B90



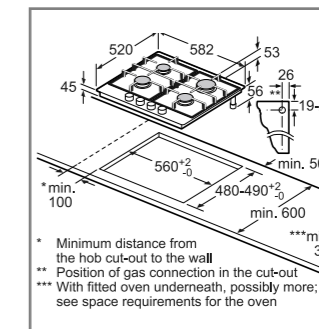
PCH6A5B90



PCP6A5B90, PCP6A6B90



PBP6B5B60, PBP6B6B60



PGP6B5B60, PGP6B5B90, PBP6B2B60, PNP6B6B90

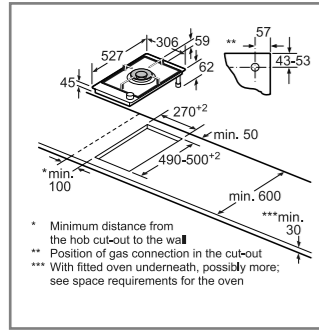
All diagram measurements are in millimetres (mm)

We try to keep up to date with constant technological improvements, so from time to time we may update installation guidelines. Therefore we strongly recommend that you download the latest installation guidelines from www.bosch-home.ie. Line drawings are for guidance only, and we recommend that you refer to the latest installation guidelines. Though every care is taken to ensure instructions are correct at the time of printing, Bosch cannot accept responsibility for incorrect planning or installation as a result of the use of these line drawings.

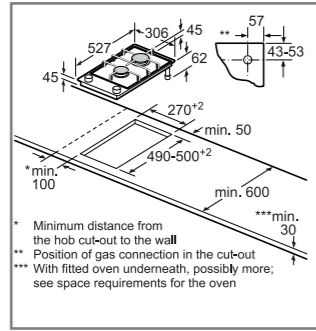
Making life easy through innovative technologies

Domino technical diagrams

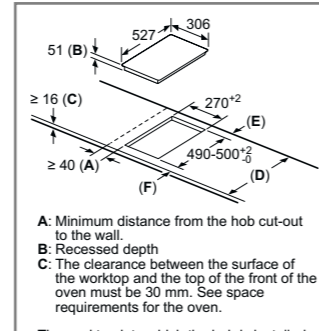
Domino hobs



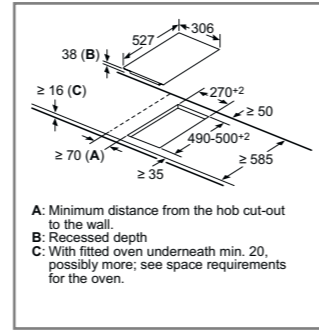
PRA3A6B70



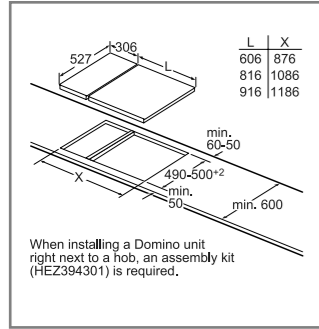
PRB3A6B70



PIB375FB1E



PKF375FP2E



Domino combination possibilities with corresponding device and cutout dimensions

Width type: 30 40 60 70 80 90
 Device width: 306 396 606 710 816 916

| | A | B | C | D | L | X | |
|------------------|---|---|-----|-----|-----|-----|------|
| 2x30, | | | | 306 | | | 612 |
| 1x30, 1x40 | | | | 306 | | | 702 |
| 1x30, 1x60 | | | | 306 | | | 912 |
| 1x30, 1x70 | | | | 306 | | | 1016 |
| 1x30, 1x80 | | | | 306 | | | 1122 |
| 1x30, 1x90 | | | | 306 | | | 1222 |
| 2x40 | | | | 396 | | | 792 |
| 1x40, 1x60 | | | | 396 | | | 1002 |
| 1x40, 1x70 | | | | 396 | | | 1106 |
| 1x40, 1x80 | | | | 396 | | | 1212 |
| 1x40, 1x90 | | | | 396 | | | 1312 |
| 3x30 | | | 306 | 306 | | | 918 |
| 2x30, 1x40 | | | 306 | 306 | 396 | | 1008 |
| 2x30, 1x60 | | | 306 | 306 | 606 | | 1218 |
| 2x30, 1x70 | | | 306 | 306 | 710 | | 1322 |
| 2x30, 1x80 | | | 306 | 306 | 816 | | 1428 |
| 2x30, 1x90 | | | 306 | 306 | 916 | | 1528 |
| 1x30, 2x40 | | | 306 | 396 | 396 | | 1098 |
| 1x30, 1x40, 1x60 | | | 306 | 396 | 606 | | 1308 |
| 1x30, 1x40, 1x70 | | | 306 | 396 | 710 | | 1412 |
| 1x30, 1x40, 1x80 | | | 306 | 396 | 816 | | 1518 |
| 1x30, 1x40, 1x90 | | | 306 | 396 | 916 | | 1618 |
| 2x40, 1x60 | | | 396 | 396 | 606 | | 1398 |
| 4x30 | | | 306 | 306 | 306 | 306 | 1224 |
| 3x30, 1x40 | | | 306 | 306 | 306 | 396 | 1314 |

All diagram measurements are in millimetres (mm)

We try to keep up to date with constant technological improvements, so from time to time we may update installation guidelines. Therefore we strongly recommend that you download the latest installation guidelines from www.bosch-home.ie. Line drawings are for guidance only, and we recommend that you refer to the latest installation guidelines. Though every care is taken to ensure instructions are correct at the time of printing, Bosch cannot accept responsibility for incorrect planning or installation as a result of the use of these line drawings.

FlexInduction and Induction hob accessories

| DESCRIPTION | ACCESSORY NR | PXX875D67E | PVQ731F15E | PIE811B15E | PIE611B15E | PXX975KW1E | PXY875KW1E | PXV875DV1E | PXX675DV1E | PXV851FC1E | PXE651FC1E | PVW851FB5E |
|--|--------------|------------|------------|------------|------------|------------|------------|------------|------------|------------|------------|------------|
| Wireless temperature sensor | HEZ39050 | • | | | | • | • | | | | | |
| Teppan Yaki (approx. 400x200mm) | HEZ390512 | • | | | | • | • | • | • | • | • | |
| Griddle plate (approx. 400x200mm) | HEZ390522 | • | | | | • | • | • | • | • | • | |
| Rectangular roasting pan with lid (approx. 320x200mm) | HEZ390011 | • | • | | | • | • | • | • | • | • | |
| Steamer pan insert of use with HEZ390011 roasting pan | HEZ390012 | • | • | | | • | • | • | • | • | • | |
| BergHoff three piece pan set (1 x frying pan, 2 x pot) | HEZ95E030 | • | • | • | • | • | • | • | • | • | • | • |

| DESCRIPTION | ACCESSORY NR | PIV851FB1E | PVQ651FC5E | PIE651BB1E | PWP631BB1E | PUE611BB1E | PWP631BF1B | PUE611BF1B | PUG61RAA5B | PIB375FB1E |
|---|--------------|------------|------------|------------|------------|------------|------------|------------|------------|------------|
| Four piece pan set (1 x sauté pan, 2 x pots with lids and 1 x milk pan) | HEZ95E040 | • | • | • | • | • | • | • | • | • |

Domino hob accessories

| DESCRIPTION | ACCESSORY NR | PRA3A6B70 | PRB3A6B70 | PKF375FP1E | PIB375FB1E |
|--------------------------------------|--------------|-----------|-----------|------------|------------|
| Connecting strip for all domino hobs | HEZ394301 | | | | |



Offering a blend of function and form, Bosch hoods deliver quiet, effective extraction that makes the kitchen and home a more pleasant environment. Make a bold design statement or complement a more minimalist look.

To help you choose the right hood, we have divided them into four ranges.



Series 8

With our **Series 8** range of hoods, experience automatic extraction rate control with **PerfectAir** sensor technology. Our hoods offer high quality craftsmanship combined with cutting-edge technologies to make the kitchen a more pleasant environment.

Series 6

Ultimate convenience and tasteful design make cooker hoods within our **Series 6** range an asset to any stylish kitchen. Electronic controls give you ease of use. Experience maximum operating convenience with **DirectSelect** touch controls from Bosch.

Series 4

As the centre of family life, the kitchen needs to have a comfortable atmosphere free of cooking steam and disruptive noise. Our **Series 4** range of cooker hoods are extremely quiet, easy to operate and impressive with their modern design.

Series 2

With our **Series 2** range of hoods, you can be assured of high quality design and features that make your life easier in the kitchen, such as easy-to-use controls and dishwasher proof metal grease filters for greater convenience.

Hood functions explained.

Check model for available functions.



PerfectAir

A sensor constantly detects the levels of odours in the air and adjusts the power level – from light use to intensive – to ensure your kitchen air is always clean and fresh.



Hob Hood Control

Control your hood via your hob with Hob-Hood Control on selected Bosch hoods. The hob and hood connect directly with WiFi and as soon as your hob is turned on, your hood lights will come on and it will start extracting. Pair this feature with the **PerfectAir Sensor** in automatic mode to create a fully automated ventilation solution.



Clean Air Plus Filters

Our Eco Silence Drive brushless friction-free motor is durable and designed to last longer. The motor helps to keep sound levels low while delivering highly efficient and powerful performance*, ultimately saving you energy.

*Sound power measured according to EN60704-3 on largest pipe diameter.



Eco Silence Drive

Our Eco Silence Drive brushless friction-free motor is durable and designed to last longer. The motor is highly efficient and offers exceptional performance while saving you energy.

LED lights

Our energy efficient lighting can be adjusted for bright illumination to work under, or lower illumination for ambient mood lighting in the kitchen thanks to the dimmer function.



Touch Control

Set the exact power level with a single touch thanks to Touch Control. It's easy to operate: simply select the right power level or turn on the lights and away you go.



Silence

Your guests are not alone in appreciating a relaxed cook. So you can chat with your guests while cooking.



Easy mounting

Easy to install appliances give you another reason to choose a Bosch Hood.

Filter Saturation Indicators

Out of sight, out of mind: when it comes to the filters in our hoods we often forget to check if they need to be changed. With Home Connect you can now check the state of your hood's filters, and receive valuable maintenance information. Simply log onto the app* to check the carbon and grease saturation of your filters and whether a replacement is necessary.

*Selected models only

A hood for every kitchen

Wall-mounted

Wall-mounted cooker hoods are generally mounted above the hob, on the wall between the wall units. This type of cooker hood fits beautifully into the line of your kitchen units whilst providing effective ventilation that you'll barely see – but you'll notice the amazing effect. These feature the Bosch clip which can be matched with other Bosch appliances in your kitchen.



Box Chimney

Chimney hoods in a box design perfectly complement your hob installation.



Glass Chimney

Curved and flat chimney hoods are great for a traditional and stylish kitchen.



Pyramid Chimney

Pyramid hoods impress with classic lines and the refined contours of the contemporary Slim Pyramid designs.



Flat Slimline

This slim design is perfect for keeping an eye on your pots and pans with a stylish control wheel that matches with Bosch Series 8 ovens.



Angled Glass

The angled design doesn't restrict headroom so you can keep an eye on your cooking with ease.



Integrated Design Hood

Flush Integrated design with fold out glass panel, make these hoods the storage champion. Allowing 10kg storage each side of the chimney on the hood, discreetly hidden in kitchen furniture.

Ceiling



Island Chimney

Our Island cooker hoods have been specially developed for use over your kitchen island and are freely suspended from the ceiling above it.



Plug&Play

Plug&Play ceiling hoods are an easy installation option. Fixing to an existing ceiling and recirculating the air back into the room, saves the need to build a false ceiling.



Ceiling

A flush fit ceiling cooker hood is normally installed into a false ceiling. It not only ensures clean air, it also provides excellent lighting for your hob and creates more space in island kitchen cabinets.

Integrated



Canopy

Bosch canopy cooker hoods are powerful ventilation systems that can be integrated into the cabinets above your hob. The hood provides excellent extraction of steam and cooking smells, as well as providing additional lighting for your cooking surfaces.



Telescopic

Telescopic cooker hoods are installed into a wall unit. To operate them, the flat section is pulled out, enlarging the extraction surface. Selected models have easy installation systems and accessories are available, as well as a lowering frame to make the hood invisible when not in use.



Integrated

Integrated cooker hoods have a furniture panel mounted to them installing seamlessly into the kitchen. For use this front panel is pulled forward at an angle, only then making the hood visible.



Built Under

Great performance in a tiny space. Our built-under extractors are housed underneath the kitchen unit and can always be seen.

Ceiling hoods

Island chimneys

Integrated design hoods



| HOOD TYPE | CEILING |
|---|-----------------|
| DESIGN FAMILY | SERIES 6 |
| MODEL | DRC97AQ50B |
| Colour | Stainless Steel |
| KEY FEATURES | |
| PerfectAir Sensor | - |
| Home Connect | ● |
| Hob Hood Control | ● |
| EcoSilence Drive Motor | ● |
| Intensive setting / Automatic intensive revert ¹ | ● |
| Filter saturation indicators | ● |
| ADDITIONAL PROGRAMMES / FUNCTIONS | |
| Type of control | Remote control |
| Power levels | 3 + 2 intensive |
| Electronic power level display | - |
| Lighting | 4 x LED lights |
| Softlight with dimmer function | ● |
| Number of metal grease filter cassettes | 2 |
| Suitable for ducted operation / recirculating | ● |
| PERFORMANCE / TECHNICAL INFORMATION | |
| Appliance width (mm) | 900 |
| EXTRACTION RATE IN M³/H^(2,3) | |
| - Ducted / recirculating at power level 1 | 265 / 200 |
| - Ducted / recirculating at power level 2 | 335 / 316 |
| - Ducted / recirculating at power level 3 | 458 / 422 |
| - Ducted / recirculating at power level 4 or intensive level 1 | 594 / 513 |
| - Ducted / recirculating, intensive setting or intensive level 2 | 798 / 565 |
| NOISE LEVEL (SOUND POWER) BASED ON DB(A) RE 1 PW^(2,4) | |
| - Ducted / recirculating at power level 1 | 41 / 46 |
| - Ducted / recirculating at power level 2 | 47 / 57 |
| - Ducted / recirculating at power level 3 | 56 / 63 |
| - Ducted / recirculating at power level 4 or intensive level 1 | 62 / 67 |
| - Ducted / recirculating, intensive setting or intensive level 2 | 68 / 69 |
| Pipe outlet diameter (mm) | 150 |
| Min. distance above an electric hob / gas hob ⁵ (mm) | 650 / 650 |
| GB plug | ● |
| Energy Rating | A |
| OPTIONAL ACCESSORIES⁶ | |
| CleanAir Plus Recirculating Module (Stainless Steel) | DIZ1JC506 |
| CleanAir Plus Recirculating Module (White) | DIZ1JC2C6 |
| Long Life Regenerative Recirculation Module (Stainless Steel) | DIZ0JC5D0 |
| Long Life Regenerative Recirculation Module (White) | DIZ0JC2D0 |

● = Yes - = No
¹ Power automatically reverts back to normal setting after intensive.
² Air Flow and noise declarations made in line with CECEC Code of Conduct.
³ Measured according to EN61591 on largest pipe diameter.
⁴ Sound power measured according to EN60704-3 on largest pipe diameter.
⁵ From top of pan supports.
⁶ A type of recirculating kit is required if recirculating. Depending on the model, a 'Recirculating odour filter kit' will consist of the following items: Charcoal filter, flexible hose, air duct, fixing components, installation instructions.
Data valid in this table as of April 2023. Subject to modification without prior notice.

| HOOD TYPE | ISLAND | ISLAND |
|---|-----------------|-------------------------|
| DESIGN FAMILY | SERIES 6 | SERIES 4 |
| MODEL | DIB98JQ50B | DIG97IM50B |
| Colour | Stainless Steel | Stainless Steel & Glass |
| KEY FEATURES | | |
| PerfectAir Sensor | ● | - |
| Home Connect | - | - |
| Hob Hood Control | - | - |
| EcoSilence Drive Motor | ● | - |
| Intensive setting / Automatic intensive revert ¹ | ● | ● |
| Filter saturation indicators | - | - |
| ADDITIONAL PROGRAMMES / FUNCTIONS | | |
| Type of control | Touch control | Touch control |
| Power levels | 3 + 2 intensive | 3 + 1 intensive |
| Electronic power level display | ● | ● |
| Lighting | 4 x LED lights | 4 x LED lights |
| Softlight with dimmer function | ● | - |
| Number of metal grease filter cassettes | 3 | 2 |
| Suitable for ducted operation / recirculating | ● | ● |
| PERFORMANCE / TECHNICAL INFORMATION | | |
| Appliance width (mm) | 900 | 900 |
| EXTRACTION RATE IN M³/H^(2,3) | | |
| - Ducted / recirculating at power level 1 | 281 / 200 | 243 / 223 |
| - Ducted / recirculating at power level 2 | 362 / 317 | 328 / 307 |
| - Ducted / recirculating at power level 3 | 445 / 371 | 429 / 403 |
| - Ducted / recirculating at power level 4 or intensive level 1 | 657 / 477 | - |
| - Ducted / recirculating, intensive setting or intensive level 2 | 867 / 513 | 733 / 546 |
| NOISE LEVEL (SOUND POWER) BASED ON DB(A) RE 1 PW^(2,4) | | |
| - Ducted / recirculating at power level 1 | 54 / 59 | 55 / 62 |
| - Ducted / recirculating at power level 2 | 64 / 68 | 63 / 69 |
| - Ducted / recirculating at power level 3 | 54 / 67 | 68 / 68 |
| - Ducted / recirculating at power level 4 or intensive level 1 | 63 / 73 | - |
| - Ducted / recirculating, intensive setting or intensive level 2 | 69 / 74 | 71 / 75 |
| Pipe outlet diameter (mm) | 150 / 120 | 150 / 120 |
| Min. distance above an electric hob / gas hob ⁵ (mm) | 550 / 650 | 550 / 650 |
| GB plug | ● | ● |
| Energy Rating | A+ | B |
| OPTIONAL ACCESSORIES⁶ | | |
| Standard Recirculation Kit | DIZ2CB114 | DIZ1CG114 |
| CleanAir Plus External Recirculation Module (Stainless Steel) | - | DIZ1CX5C6 |

● = Yes - = No
¹ Power automatically reverts back to normal setting after intensive.
² Air Flow and noise declarations made in line with CECEC Code of Conduct.
³ Measured according to EN61591 on largest pipe diameter.
⁴ Sound power measured according to EN60704-3 on largest pipe diameter.
⁵ From top of pan supports.
⁶ A type of recirculating kit is required if recirculating. Depending on the model, a 'Recirculating odour filter kit' will consist of the following items: Charcoal filter, flexible hose, air duct, fixing components, installation instructions.
Data valid in this table as of April 2023. Subject to modification without prior notice.

| HOOD TYPE | INTEGRATED |
|---|--|
| DESIGN FAMILY | SERIES 6 |
| MODEL / WIDTH | DBB97AM60B/90CM DBB67AM60B/60CM |
| Colour | Black body with Bosch Clip design fold out glass |
| KEY FEATURES | |
| PerfectAir Sensor | - |
| Home Connect | - |
| Hob Hood Control | - |
| EcoSilence Drive Motor | - |
| Intensive setting / Automatic intensive revert ¹ | ● |
| Filter saturation indicators | - |
| ADDITIONAL PROGRAMMES / FUNCTIONS | |
| Type of control | Touch Control |
| Power levels | 3 + 1 intensive |
| Electronic power level display | ● |
| Lighting | 2 x LED lights |
| Softlight with dimmer function | ● |
| Number of metal grease filter cassettes | 2 |
| Furniture door required | ● |
| Suitable for ducted operation / recirculating | ● |
| PERFORMANCE / TECHNICAL INFORMATION | |
| Appliance width (mm) | 897 / 597 |
| EXTRACTION RATE IN M³/H^(2,3) | |
| - Ducted / recirculating at power level 1 | 265 / 227 |
| - Ducted / recirculating at power level 2 | 355 / 319 |
| - Ducted / recirculating at power level 3 | 460 / 396 |
| - Ducted / recirculating at power level 4 or intensive level 1 | 749 / 496 |
| - Ducted / recirculating, intensive setting or intensive level 2 | - |
| NOISE LEVEL (SOUND POWER) BASED ON DB(A) RE 1 PW^(2,4) | |
| - Ducted / recirculating at power level 1 | 50 / 59 |
| - Ducted / recirculating at power level 2 | 57 / 67 |
| - Ducted / recirculating at power level 3 | 63 / 72 |
| - Ducted / recirculating at power level 4 or intensive level 1 | 73 / 77 |
| - Ducted / recirculating, intensive setting or intensive level 2 | 71 / 77 |
| Pipe outlet diameter (mm) | 120 / 150 |
| Min. distance above an electric hob / gas hob ⁵ (mm) | 430 / 650 |
| GB plug | ● |
| Energy Rating | A |
| OPTIONAL ACCESSORIES⁶ | |
| Long Life Regenerative Recirculation Kit | DWZ1IT1D1 |
| Clean Air Standard Recirculation Kit | DWZ6IB114 |
| Chimney Extension 450-854mm | DWZ1IBGK1 |
| Chimney Extension 187-360mm | DWZ1IBGN1 |
| Clean Air Plus recirculation kit | DWZ1IX1C6 |

● = Yes - = No
¹ Power automatically reverts back to normal setting after intensive.
² Air Flow and noise declarations made in line with CECEC Code of Conduct.
³ Measured according to EN61591 on largest pipe diameter.
⁴ Sound power measured according to EN60704-3 on largest pipe diameter.
⁵ From top of pan supports.
⁶ A type of recirculating kit is required if recirculating. Depending on the model, a 'Recirculating odour filter kit' will consist of the following items: Charcoal filter, flexible hose, air duct, fixing components, installation instructions.
Data valid in this table as of April 2023. Subject to modification without prior notice.

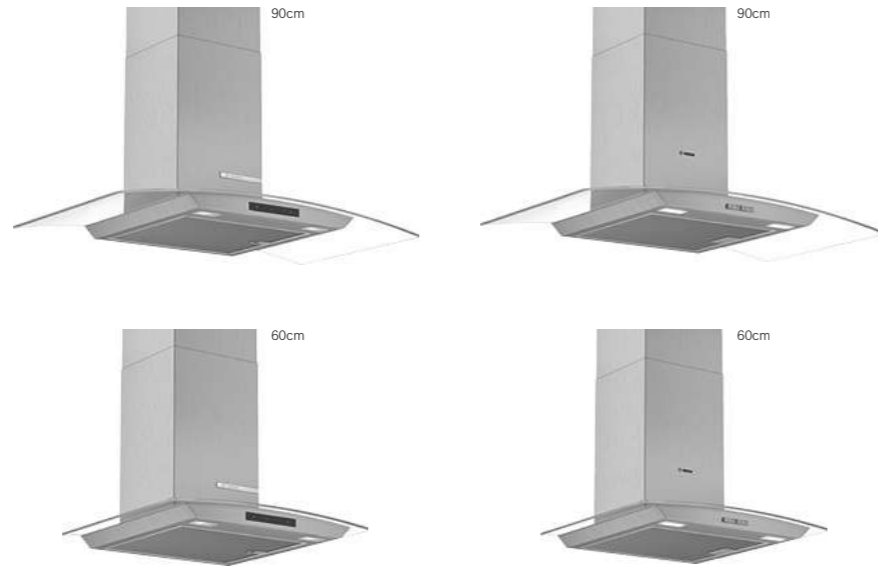


| HOOD TYPE | ANGLED | FLAT GLASS | ANGLED |
|---|-----------------|--------------------|-----------------|
| DESIGN FAMILY | SERIES 8 | SERIES 8 | SERIES 6 |
| MODEL | DWK98PR60B | DWF97RV60B | DWK97JQ60B/90CM |
| Colour | Black Glass | Black Glass | Black Glass |
| KEY FEATURES | | | |
| PerfectAir Sensor | ● | ● | ● |
| Home Connect | ● | ● | - |
| Hob Hood Control | ● | ● | - |
| EcoSilence Drive Motor | ● | ● | ● |
| Intensive setting / Automatic intensive revert ¹ | ● | ● | ● |
| Filter saturation indicators | ● | ● | ● |
| ADDITIONAL PROGRAMMES / FUNCTIONS | | | |
| Type of control | Touch control | Ring control | Touch Control |
| Power levels | 3 + 2 intensive | 3 + 2 intensive | 3 + 2 intensive |
| Electronic power level display | - | ● | - |
| Lighting | 2 x LED lights | 2 x LED lights | 2 x LED lights |
| Softlight with dimmer function | ● | ● | ● |
| Number of metal grease filter cassettes | 2 | 2 | 2 |
| Suitable for ducted operation / recirculating | ● | ● | ● |
| PERFORMANCE / TECHNICAL INFORMATION | | | |
| Appliance width (mm) | 894 | 890 | 890 |
| EXTRACTION RATE IN M³/H^(2,3) | | | |
| - Ducted / recirculating at power level 1 | 293 / 221 | 227 / 157 | 305 / 221 |
| - Ducted / recirculating at power level 2 | 342 / 333 | 320 / 245 | 342 / 321 |
| - Ducted / recirculating at power level 3 | 467 / 459 | 394 / 311 | 431 / 410 |
| - Ducted / recirculating at power level 4 or intensive level 1 | 612 / 579 | 532 / 444 | 525 / 500 |
| - Ducted / recirculating, intensive setting or intensive level 2 | 837 / 703 | 717 / 578 | 714 / 632 |
| NOISE LEVEL (SOUND POWER) BASED ON DB(A) RE 1 PW^(2,4) | | | |
| - Ducted / recirculating at power level 1 | 43 / 47 | 43 / 43 | 45 / 48 |
| - Ducted / recirculating at power level 2 | 47 / 58 | 52 / 54 | 48 / 58 |
| - Ducted / recirculating at power level 3 | 55 / 65 | 57 / 60 | 53 / 63 |
| - Ducted / recirculating at power level 4 or intensive level 1 | 61 / 68 | 64 / 68 | 58 / 68 |
| - Ducted / recirculating, intensive setting or intensive level 2 | 67 / 77 | 70 / 74 | 65 / 74 |
| Pipe outlet diameter (mm) | 150 / 120 | 150 / 120 | 150 / 120 |
| Min. distance above an electric hob / gas hob ⁵ (mm) | 450 / 650 | 450 / not suitable | 450 / 650 |
| GB plug | ● | ● | ● |
| Energy Rating | A+ | B | A |
| OPTIONAL ACCESSORIES⁶ | | | |
| Standard Recirculation Kit | - | - | - |
| Standard Recirculation Kit (Chimless Installation) | - | - | - |
| CleanAir Plus Anti-Pollen Recirculation Kit | DWZ1AK116 | DWZ1AF116 | DWZ1AK116 |
| CleanAir Plus Anti-Pollen Recirculation Kit (Chimless Installation) | DWZ1AK1V6 | DWZ1AF1V6 | DWZ1AK1V6 |
| Long Life Regenerative Recirculation Kit | DWZ0AK0S0 | DWZ0AF0S0 | DWZ0AK0S0 |
| Long Life Regenerative Integrated Recirculation Kit | - | - | - |
| Long Life Regenerative Recirculation Kit (Chimless Installation) | DWZ0AK0R0 | DWZ0AF0R0 | DWZ0AK0R0 |
| Black Chimney | DWZ1AX6E1 | DWZ1AX6E1 | DWZ1AX6E1 |

● = Yes - = No
¹Power automatically reverts back to normal setting after intensive.
²Air Flow and noise declarations made in line with CECEC Code of Conduct.
³Measured according to EN61591 on largest pipe diameter.
⁴Sound power measured according to EN60704-3 on largest pipe diameter.
⁵From top of pan supports.
⁶A type of recirculating kit is required if recirculating. Depending on the model, a 'Recirculating odour filter kit' will consist of the following items: Charcoal filter, flexible hose, air duct, fixing components, installation instructions.
Data valid in this table as of April 2023. Subject to modification without prior notice.

| HOOD TYPE | ANGLED | ANGLED | | |
|---|-------------------------------------|------------------------------------|-----|-----|
| DESIGN FAMILY | SERIES 4 | SERIES 2 | | |
| MODEL/WIDTH | DWK87CM60B/80CM DWK67CM60B/60CM* | DWK87EM60B/80CM DWK67EM60B/60CM | | |
| Colour | Black Glass | Black Glass | | |
| KEY FEATURES | | | | |
| PerfectAir Sensor | - | - | | |
| Home Connect | - | - | | |
| Hob Hood Control | - | - | | |
| EcoSilence Drive Motor | - | - | | |
| Intensive setting / Automatic intensive revert ¹ | ● | ● | | |
| Filter saturation indicators | - | - | | |
| ADDITIONAL PROGRAMMES / FUNCTIONS | | | | |
| Type of control | Touch Control | Touch control | | |
| Power levels | 3 + 1 intensive | 3 + 1 intensive | | |
| Electronic power level display | ● | ● | | |
| Lighting | 2 x LED lights | 2 x LED lights | | |
| Softlight with dimmer function | - | - | | |
| Number of metal grease filter cassettes | 2 | 2 | | |
| Suitable for ducted operation / recirculating | ● | ● | | |
| PERFORMANCE / TECHNICAL INFORMATION | | | | |
| Appliance width (mm) | 790 | 590 | 800 | 600 |
| EXTRACTION RATE IN M³/H^(2,3) | | | | |
| - Ducted / recirculating at power level 1 | 253 / 239 | 245 / 189 | | |
| - Ducted / recirculating at power level 2 | 332 / 316 | 320 / 260 | | |
| - Ducted / recirculating at power level 3 | 416 / 409 | 399 / 320 | | |
| - Ducted / recirculating at power level 4 or intensive level 1 | - | - | | |
| - Ducted / recirculating, intensive setting or intensive level 2 | 700 / 615 | 669 / 398 | | |
| NOISE LEVEL (SOUND POWER) BASED ON DB(A) RE 1 PW^(2,4) | | | | |
| - Ducted / recirculating at power level 1 | 48 / 53 | 48 / 58 | | |
| - Ducted / recirculating at power level 2 | 53 / 60 | 55 / 65 | | |
| - Ducted / recirculating at power level 3 | 58 / 65 | 60 / 69 | | |
| - Ducted / recirculating at power level 4 or intensive level 1 | - | - | | |
| - Ducted / recirculating, intensive setting or intensive level 2 | 67 / 75 | 69 / 74 | | |
| Pipe outlet diameter (mm) | 150/120 | 150 / 120 | | |
| Min. distance above an electric hob / gas hob ⁵ (mm) | 450 / 650 | 450 / 650 | | |
| GB plug | ● | ● | | |
| Energy Rating | B | B | | |
| OPTIONAL ACCESSORIES⁶ | | | | |
| Standard Recirculation Kit | - | DWZ1EK1U1 | | |
| Standard Recirculation Kit (Chimless Installation) | - | - | | |
| CleanAir Plus Anti-Pollen Recirculation Kit | DWZ1AK116 | - | | |
| CleanAir Plus Anti-Pollen Recirculation Kit (Chimless Installation) | DWZ1AK1V6 | - | | |
| Long Life Regenerative Recirculation Kit | DWZ0AK0S0 | DWZ1FX5D1 | | |
| Long Life Regenerative Integrated Recirculation Kit | - | DWZ0XX0J0 | | |
| Long Life Regenerative Recirculation Kit (Chimless Installation) | DWZ0AK0R0 | - | | |
| Black Chimney | DWZ1AX6E1 | - | | |

● = Yes - = No
¹Power automatically reverts back to normal setting after intensive.
²Air Flow and noise declarations made in line with CECEC Code of Conduct.
³Measured according to EN61591 on largest pipe diameter.
⁴Sound power measured according to EN60704-3 on largest pipe diameter.
⁵From top of pan supports.
⁶A type of recirculating kit is required if recirculating. Depending on the model, a 'Recirculating odour filter kit' will consist of the following items: Charcoal filter, flexible hose, air duct, fixing components, installation instructions.
Data valid in this table as of April 2023. Subject to modification without prior notice.



| HOOD TYPE | CURVED GLASS CHIMNEY | | CURVED GLASS CHIMNEY | |
|--|------------------------------------|-----------|------------------------------------|-----------|
| DESIGN FAMILY | SERIES 4 | | SERIES 2 | |
| MODEL/WIDTH | DWA96DM50B/90CM DWA66DM50B/60CM | | DWA94BC50B/90CM DWA64BC50B/60CM | |
| Colour | Stainless Steel & Glass | | Stainless Steel & Glass | |
| KEY FEATURES | | | | |
| PerfectAir Sensor | - | | - | |
| Home Connect | - | | - | |
| Hob Hood Control | - | | - | |
| EcoSilence Drive Motor | - | | - | |
| Intensive setting / Automatic intensive revert ¹ | ● | | - | |
| Filter saturation indicators | - | | - | |
| ADDITIONAL PROGRAMMES / FUNCTIONS | | | | |
| Type of control | Touch control | | Push button control | |
| Power levels | 3 + 1 intensive | | 3 | |
| Electronic power level display | ● | | - | |
| Lighting | 2 x LED lights | | 2 x LED lights | |
| Softlight with dimmer function | - | | - | |
| Number of metal grease filter cassettes | 1 | | 1 | |
| Suitable for ducted operation / recirculating | ● | | ● | |
| PERFORMANCE / TECHNICAL INFORMATION | | | | |
| Appliance width (mm) | 900 | 600 | 900 | 600 |
| EXTRACTION RATE IN M³/H ^(2,3) | | | | |
| - Ducted / recirculating at power level 1 | 234 / 164 | 239 / 173 | 198 / 125 | 198 / 117 |
| - Ducted / recirculating at power level 2 | 303 / 236 | 306 / 250 | 263 / 166 | 263 / 163 |
| - Ducted / recirculating at power level 3 | 371 / 292 | 400 / 303 | 365 / 198 | 365 / 200 |
| - Ducted / recirculating at power level 4 or intensive level 1 | - | - | - | - |
| - Ducted / recirculating, intensive setting or intensive level 2 | 610 / 355 | 615 / 361 | - | - |
| NOISE LEVEL (SOUND POWER) BASED ON DB(A) RE 1 PW ^(2,4) | | | | |
| - Ducted / recirculating at power level 1 | 48 / 60 | 48 / 59 | 50 / 57 | 49 / 55 |
| - Ducted / recirculating at power level 2 | 55 / 68 | 54 / 67 | 58 / 62 | 57 / 61 |
| - Ducted / recirculating at power level 3 | 61 / 72 | 59 / 71 | 64 / 66 | 64 / 66 |
| - Ducted / recirculating at power level 4 or intensive level 1 | - | - | - | - |
| - Ducted / recirculating, intensive setting or intensive level 2 | 69 / 75 | 69 / 75 | - | - |
| Pipe outlet diameter (mm) | 150 / 120 | 150 / 120 | 150 / 120 | 150 / 120 |
| Min. distance above an electric hob / gas hob ⁵ (mm) | 550 / 650 | 550 / 650 | 550 / 650 | 550 / 650 |
| GB plug | ● | | ● | |
| Energy Rating | B | B | D | D |
| OPTIONAL ACCESSORIES ⁶ | | | | |
| CleanAir Standard Recirculation Kit | DWZ1DX114 | DWZ1DX114 | DWZ1DX114 | DWZ1DX114 |
| CleanAir Plus Integrated Recirculation Kit | DWZ1DX116 | DWZ1DX116 | DWZ1DX116 | DWZ1DX116 |

● = Yes - = No
¹Power automatically reverts back to normal setting after intensive.
²Air Flow and noise declarations made in line with CECEC Code of Conduct.
³Measured according to EN61591 on largest pipe diameter.
⁴Sound power measured according to EN60704-3 on largest pipe diameter.
⁵From top of pan supports.
⁶A type of recirculating kit is required if recirculating. Depending on the model, a 'Recirculating odour filter kit' will consist of the following items: Charcoal filter, flexible hose, air duct, fixing components, installation instructions.
Data valid in this table as of April 2023. Subject to modification without prior notice.

| HOOD TYPE | STRAIGHT GLASS CHIMNEY | |
|--|------------------------------------|-----------|
| DESIGN FAMILY | SERIES 2 | |
| MODEL/WIDTH | DWG94BC50B/90CM DWG64BC50B/60CM | |
| Colour | Stainless Steel & Glass | |
| KEY FEATURES | | |
| PerfectAir Sensor | - | |
| Home Connect | - | |
| Hob Hood Control | - | |
| EcoSilence Drive Motor | - | |
| Intensive setting / Automatic intensive revert ¹ | - | |
| Filter saturation indicators | - | |
| ADDITIONAL PROGRAMMES / FUNCTIONS | | |
| Type of control | Push button control | |
| Power levels | 3 | |
| Electronic power level display | - | |
| Lighting | 2 x LED lights | |
| Softlight with dimmer function | - | |
| Number of metal grease filter cassettes | 2 - 90cm model / 1 - 60cm model | |
| Suitable for ducted operation / recirculating | ● | |
| PERFORMANCE / TECHNICAL INFORMATION | | |
| Appliance width (mm) | 900 | 600 |
| EXTRACTION RATE IN M³/H ^(2,3) | | |
| - Ducted / recirculating at power level 1 | 198 / 120 | 198 / 115 |
| - Ducted / recirculating at power level 2 | 263 / 161 | 263 / 156 |
| - Ducted / recirculating at power level 3 | 365 / 195 | 365 / 190 |
| - Ducted / recirculating at power level 4 or intensive level 1 | - | - |
| - Ducted / recirculating, intensive setting or intensive level 2 | - | - |
| NOISE LEVEL (SOUND POWER) BASED ON DB(A) RE 1 PW ^(2,4) | | |
| - Ducted / recirculating at power level 1 | 49 / 57 | 49 / 55 |
| - Ducted / recirculating at power level 2 | 57 / 61 | 58 / 62 |
| - Ducted / recirculating at power level 3 | 64 / 66 | 64 / 66 |
| - Ducted / recirculating at power level 4 or intensive level 1 | - | - |
| - Ducted / recirculating, intensive setting or intensive level 2 | - | - |
| Pipe outlet diameter (mm) | 150 / 120 | 150 / 120 |
| Min. distance above an electric hob / gas hob ⁵ (mm) | 550 / 650 | 550 / 650 |
| GB plug | ● | |
| Energy Rating | D | D |
| OPTIONAL ACCESSORIES ⁶ | | |
| CleanAir Standard Recirculation Kit | DWZ1DX114 | DWZ1DX114 |
| CleanAir Plus Integrated Recirculation Kit | DWZ1DX116 | DWZ1DX116 |

● = Yes - = No
¹Power automatically reverts back to normal setting after intensive.
²Air Flow and noise declarations made in line with CECEC Code of Conduct.
³Measured according to EN61591 on largest pipe diameter.
⁴Sound power measured according to EN60704-3 on largest pipe diameter.
⁵From top of pan supports.
⁶A type of recirculating kit is required if recirculating. Depending on the model, a 'Recirculating odour filter kit' will consist of the following items: Charcoal filter, flexible hose, air duct, fixing components, installation instructions.
Data valid in this table as of April 2023. Subject to modification without prior notice.



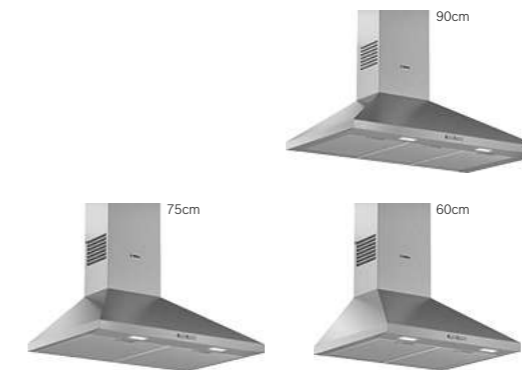
| HOOD TYPE | BOX CHIMNEY | BOX CHIMNEY | BOX CHIMNEY |
|---|-----------------|-----------------|-----------------|
| DESIGN FAMILY | SERIES 6 | SERIES 6 | SERIES 4 |
| MODEL/WIDTH | DWB98JQ50B/90CM | DWB68JQ50B/60CM | DWB96DM50B |
| Colour | Stainless Steel | Stainless Steel | Stainless Steel |
| KEY FEATURES | | | |
| PerfectAir Sensor | ● | ● | - |
| Home Connect | - | - | - |
| Hob Hood Control | - | - | - |
| EcoSilence Drive Motor | ● | ● | - |
| Intensive setting / Automatic intensive revert ¹ | ● | ● | ● |
| Filter saturation indicators | ● | ● | - |
| ADDITIONAL PROGRAMMES / FUNCTIONS | | | |
| Type of control | Touch control | Touch control | Touch control |
| Power levels | 3 + 2 intensive | 3 + 2 intensive | 3 + 1 intensive |
| Electronic power level display | ● | ● | ● |
| Lighting | 3 x LED lights | 2 x LED lights | 2 x LED lights |
| Softlight with dimmer function | ● | ● | - |
| Number of metal grease filter cassettes | 3 | 2 | 3 |
| Suitable for ducted operation / recirculating | ● | ● | ● |
| PERFORMANCE / TECHNICAL INFORMATION | | | |
| Appliance width (mm) | 900 | 600 | 900 |
| EXTRACTION RATE IN M³/H⁽²⁻³⁾ | | | |
| - Ducted / recirculating at power level 1 | 273 / 200 | 243 / 188 | 222 / 147 |
| - Ducted / recirculating at power level 2 | 348 / 317 | 336 / 268 | 293 / 228 |
| - Ducted / recirculating at power level 3 | 430 / 371 | 409 / 733 | 372 / 290 |
| - Ducted / recirculating at power level 4 or intensive level 1 | 367 / 477 | 588 / 335 | - |
| - Ducted / recirculating, intensive setting or intensive level 2 | 844 / 513 | 733 / 357 | 604 / 360 |
| NOISE LEVEL (SOUND POWER) BASED ON DB(A) RE 1 PW⁽²⁻⁴⁾ | | | |
| - Ducted / recirculating at power level 1 | 46 / 54 | 47 / 61 | 48 / 57 |
| - Ducted / recirculating at power level 2 | 51 / 66 | 55 / 74 | 54 / 66 |
| - Ducted / recirculating at power level 3 | 55 / 67 | 60 / 71 | 60 / 71 |
| - Ducted / recirculating at power level 4 or intensive level 1 | 64 / 73 | 69 / 73 | - |
| - Ducted / recirculating, intensive setting or intensive level 2 | 69 / 75 | 73 / 74 | 70 / 75 |
| Pipe outlet diameter (mm) | 150/120 | 150/120 | 150 / 120 |
| Min. distance above an electric hob / gas hob ⁵ (mm) | 550 / 650 | 550 / 650 | 550 / 650 |
| GB plug | ● | ● | ● |
| Energy Rating | A+ | A | B |
| OPTIONAL ACCESSORIES⁶ | | | |
| Standard Recirculation Kit | DWZ2CB114 | DWZ1CB114 | DWZ1DX114 |
| CleanAir Plus Anti-Pollen Integrated Recirculation Kit | DWZ1DX116 | DWZ1DX116 | DWZ1DX116 |

● = Yes - = No
¹Power automatically reverts back to normal setting after intensive.
²Air Flow and noise declarations made in line with CECEC Code of Conduct.
³Measured according to EN61591 on largest pipe diameter.
⁴Sound power measured according to EN60704-3 on largest pipe diameter.
⁵From top of pan supports.
⁶A type of recirculating kit is required if recirculating. Depending on the model, a 'Recirculating odour filter kit' will consist of the following items: Charcoal filter, flexible hose, air duct, fixing components, installation instructions.
Data valid in this table as of April 2023. Subject to modification without prior notice.



| HOOD TYPE | BOX CHIMNEY | BOX CHIMNEY | BOX CHIMNEY |
|---|-----------------|---------------------|---------------------|
| DESIGN FAMILY | SERIES 4 | SERIES 2 | SERIES 2 |
| MODEL | DWB66DM50B | DWB94BC50B | DWB64BC50B |
| Colour | Stainless Steel | Stainless Steel | Stainless Steel |
| KEY FEATURES | | | |
| PerfectAir Sensor | - | - | - |
| Home Connect | - | - | - |
| Hob Hood Control | - | - | - |
| EcoSilence Drive Motor | - | - | - |
| Intensive setting / Automatic intensive revert ¹ | ● | - | - |
| Filter saturation indicators | - | - | - |
| ADDITIONAL PROGRAMMES / FUNCTIONS | | | |
| Type of control | Touch control | Push button control | Push button control |
| Power levels | 3 + 1 intensive | 3 + 1 intensive | 3 + 1 intensive |
| Electronic power level display | ● | - | - |
| Lighting | 2 x LED lights | 2 x LED lights | 2 x LED lights |
| Softlight with dimmer function | - | - | - |
| Number of metal grease filter cassettes | 2 | 3 | 2 |
| Suitable for ducted operation / recirculating | ● | ● | ● |
| PERFORMANCE / TECHNICAL INFORMATION | | | |
| Appliance width (mm) | 600 | 900 | 600 |
| EXTRACTION RATE IN M³/H⁽²⁻³⁾ | | | |
| - Ducted / recirculating at power level 1 | 238 / 150 | 198 / 120 | 198 / 122 |
| - Ducted / recirculating at power level 2 | 302 / 220 | 263 / 162 | 263 / 165 |
| - Ducted / recirculating at power level 3 | 368 / 281 | 365 / 195 | 365 / 197 |
| - Ducted / recirculating at power level 4 or intensive level 1 | - | - | - |
| - Ducted / recirculating, intensive setting or intensive level 2 | 605 / 348 | - | - |
| NOISE LEVEL (SOUND POWER) BASED ON DB(A) RE 1 PW⁽²⁻⁴⁾ | | | |
| - Ducted / recirculating at power level 1 | 48 / 57 | 49 / 55 | 49 / 56 |
| - Ducted / recirculating at power level 2 | 54 / 66 | 57 / 61 | 57 / 61 |
| - Ducted / recirculating at power level 3 | 60 / 71 | 64 / 66 | 63 / 66 |
| - Ducted / recirculating at power level 4 or intensive level 1 | - | - | - |
| - Ducted / recirculating, intensive setting or intensive level 2 | 69 / 75 | - | - |
| Pipe outlet diameter (mm) | 150 / 120 | 150 / 120 | 150 / 120 |
| Min. distance above an electric hob / gas hob ⁵ (mm) | 550 / 650 | 550 / 650 | 550 / 650 |
| GB plug | ● | ● | ● |
| Energy Rating | B | D | D |
| OPTIONAL ACCESSORIES⁶ | | | |
| CleanAir Standard Recirculation Kit | DWZ1DX114 | DWZ1DX114 | DWZ1DX114 |
| CleanAir Plus Anti-Pollen Integrated Recirculation Kit | DWZ1DX116 | DWZ1DX116 | DWZ1DX116 |

● = Yes - = No
¹Power automatically reverts back to normal setting after intensive.
²Air Flow and noise declarations made in line with CECEC Code of Conduct.
³Measured according to EN61591 on largest pipe diameter.
⁴Sound power measured according to EN60704-3 on largest pipe diameter.
⁵From top of pan supports.
⁶A type of recirculating kit is required if recirculating. Depending on the model, a 'Recirculating odour filter kit' will consist of the following items: Charcoal filter, flexible hose, air duct, fixing components, installation instructions.
Data valid in this table as of April 2023. Subject to modification without prior notice.



| HOOD TYPE | SLIM PYRAMID CHIMNEY | | SLIM PYRAMID CHIMNEY | | |
|--|----------------------|-----------------|----------------------|---------------------|---|
| DESIGN FAMILY | SERIES 4 | | SERIES 4 | | SERIES 2 |
| MODEL / WIDTH | DWQ96DM50B/90CM | | DWQ66DM50B/60CM | | DWQ94BC50B/90CM DWQ74BC50B/75CM DWQ64BC50B/60CM |
| Colour | Stainless Steel | | Stainless Steel | | Stainless Steel |
| KEY FEATURES | | | | | |
| PerfectAir Sensor | - | - | - | - | - |
| Home Connect | - | - | - | - | - |
| Hob Hood Control | - | - | - | - | - |
| EcoSilence Drive Motor | - | - | - | - | - |
| Intensive setting / Automatic intensive revert ¹ | ● | ● | - | - | - |
| Filter saturation indicators | - | - | - | - | - |
| ADDITIONAL PROGRAMMES / FUNCTIONS | | | | | |
| Type of control | Touch control | Touch control | Push button control | Push button control | Push button control |
| Power levels | 3 + 1 intensive | 3 + 1 intensive | 3 | 3 | 3 |
| Electronic power level display | ● | ● | - | - | - |
| Lighting | 2 x LED lights | 2 x LED lights | 2 x LED lights | 2 x LED lights | 2 x LED lights |
| Softlight with dimmer function | - | - | - | - | - |
| Number of metal grease filter cassettes | 3 | 2 | 3 | 2 | 2 |
| Suitable for ducted operation / recirculating | ● | ● | ● | ● | ● |
| PERFORMANCE / TECHNICAL INFORMATION | | | | | |
| Appliance width (mm) | 900 | 600 | 900 | 750 | 600 |
| EXTRACTION RATE IN M³/H ^(2,3) | | | | | |
| - Ducted / recirculating at power level 1 | 247 / 171 | 258 / 181 | 198 / 125 | 198 / 125 | 198 / 118 |
| - Ducted / recirculating at power level 2 | 316 / 248 | 328 / 257 | 263 / 168 | 263 / 168 | 263 / 162 |
| - Ducted / recirculating at power level 3 | 389 / 308 | 410 / 312 | 365 / 202 | 365 / 202 | 365 / 198 |
| - Ducted / recirculating at power level 4 or intensive level 1 | - | - | - | - | - |
| - Ducted / recirculating, intensive setting or intensive level 2 | 642 / 372 | 644 / 372 | - | - | - |
| NOISE LEVEL (SOUND POWER) BASED ON DB(A) RE 1 PW ^(2,4) | | | | | |
| - Ducted / recirculating at power level 1 | 48 / 58 | 50 / 60 | 50 / 55 | 50 / 55 | 50 / 55 |
| - Ducted / recirculating at power level 2 | 55 / 66 | 56 / 68 | 59 / 62 | 59 / 62 | 58 / 62 |
| - Ducted / recirculating at power level 3 | 61 / 71 | 62 / 72 | 64 / 66 | 64 / 66 | 64 / 65 |
| - Ducted / recirculating at power level 4 or intensive level 1 | - | - | - | - | - |
| - Ducted / recirculating, intensive setting or intensive level 2 | 70 / 75 | 70 / 75 | - | - | - |
| Pipe outlet diameter (mm) | 150 / 120 | 150 / 120 | 150 / 120 | 150 / 120 | 150 / 120 |
| Min. distance above an electric hob / gas hob ⁵ (mm) | 550 / 650 | 550 / 650 | 550 / 650 | 550 / 650 | 550 / 650 |
| GB plug | ● | ● | ● | ● | ● |
| Energy Rating | A | A | D | D | D |
| OPTIONAL ACCESSORIES ⁶ | | | | | |
| CleanAir Standard Recirculation Kit | DWZ1DX114 | DWZ1DX114 | DWZ1DX114 | DWZ1DX114 | DWZ1DX114 |
| CleanAir Plus Anti-Pollen Integrated Recirculation Kit | DWZ1DX116 | DWZ1DX116 | DWZ1DX116 | DWZ1DX116 | DWZ1DX116 |

● = Yes - = No
¹Power automatically reverts back to normal setting after intensive.
²Air Flow and noise declarations made in line with CECEC Code of Conduct.
³Measured according to EN61591 on largest pipe diameter.
⁴Sound power measured according to EN60704-3 on largest pipe diameter.
⁵From top of pan supports.
⁶A type of recirculating kit is required if recirculating. Depending on the model, a 'Recirculating odour filter kit' will consist of the following items: Charcoal filter, flexible hose, air duct, fixing components, installation instructions.
Data valid in this table as of April 2023. Subject to modification without prior notice.

| HOOD TYPE | PYRAMID CHIMNEY | | |
|--|---|---------------------|---------------------|
| DESIGN FAMILY | SERIES 2 | | |
| MODEL / WIDTH | DWP94BC50B/90CM DWP74BC50B/75CM DWP64BC50B/60CM | | |
| Colour | Stainless Steel | | |
| KEY FEATURES | | | |
| PerfectAir Sensor | - | | |
| Home Connect | - | | |
| Hob Hood Control | - | | |
| EcoSilence Drive Motor | - | | |
| Intensive setting / Automatic intensive revert ¹ | - | | |
| Filter saturation indicators | - | | |
| ADDITIONAL PROGRAMMES / FUNCTIONS | | | |
| Type of control | Push button control | Push button control | Push button control |
| Power levels | 3 | 3 | 3 |
| Electronic power level display | - | - | - |
| Lighting | 2 x LED lights | 2 x LED lights | 2 x LED lights |
| Softlight with dimmer function | - | - | - |
| Number of metal grease filter cassettes | 3 | 2 | 2 |
| Suitable for ducted operation / recirculating | ● | ● | ● |
| PERFORMANCE / TECHNICAL INFORMATION | | | |
| Appliance width (mm) | 900 | 750 | 600 |
| EXTRACTION RATE IN M³/H ^(2,3) | | | |
| - Ducted / recirculating at power level 1 | 198 / 129 | 198 / 129 | 198 / 127 |
| - Ducted / recirculating at power level 2 | 263 / 174 | 263 / 174 | 263 / 171 |
| - Ducted / recirculating at power level 3 | 365 / 213 | 365 / 213 | 365 / 211 |
| - Ducted / recirculating at power level 4 or intensive level 1 | - | - | - |
| - Ducted / recirculating, intensive setting or intensive level 2 | - | - | - |
| NOISE LEVEL (SOUND POWER) BASED ON DB(A) RE 1 PW ^(2,4) | | | |
| - Ducted / recirculating at power level 1 | 50 / 56 | 50 / 56 | 50 / 55 |
| - Ducted / recirculating at power level 2 | 57 / 62 | 57 / 62 | 58 / 62 |
| - Ducted / recirculating at power level 3 | 65 / 67 | 65 / 67 | 66 / 67 |
| - Ducted / recirculating at power level 4 or intensive level 1 | - | - | - |
| - Ducted / recirculating, intensive setting or intensive level 2 | - | - | - |
| Pipe outlet diameter (mm) | 150 / 120 | 150 / 120 | 150 / 120 |
| Min. distance above an electric hob / gas hob ⁵ (mm) | 550 / 650 | 550 / 650 | 550 / 650 |
| GB plug | ● | ● | ● |
| Energy Rating | D | D | D |
| OPTIONAL ACCESSORIES ⁶ | | | |
| CleanAir Standard Recirculation Kit | DHZ5275 | DHZ5275 | DHZ5275 |
| CleanAir Plus Anti-Pollen Integrated Recirculation Kit | - | - | - |

● = Yes - = No
¹Power automatically reverts back to normal setting after intensive.
²Air Flow and noise declarations made in line with CECEC Code of Conduct.
³Measured according to EN61591 on largest pipe diameter.
⁴Sound power measured according to EN60704-3 on largest pipe diameter.
⁵From top of pan supports.
⁶A type of recirculating kit is required if recirculating. Depending on the model, a 'Recirculating odour filter kit' will consist of the following items: Charcoal filter, flexible hose, air duct, fixing components, installation instructions.
Data valid in this table as of April 2023. Subject to modification without prior notice.

Canopy hoods



| HOOD TYPE | CANOPY | CANOPY | CANOPY | CANOPY |
|--|---------------------|---------------------|-----------------------|-----------------------|
| DESIGN FAMILY | SERIES 6 | SERIES 6 | SERIES 4 | SERIES 2 |
| MODEL | DHL755CGB | DHL575CGB | DHL555BLGB | DLN53AA70B |
| Colour | Brushed Steel | Brushed Steel | Metallic Silver | Metallic Silver |
| KEY FEATURES | | | | |
| PerfectAir Sensor | - | - | - | - |
| Home Connect | - | - | - | - |
| Hob Hood Control | - | - | - | - |
| EcoSilence Drive Motor | - | - | - | - |
| Intensive setting / Automatic intensive revert ¹ | ● | ● | ● / - | - |
| Filter saturation indicators | - | - | - | - |
| ADDITIONAL PROGRAMMES / FUNCTIONS | | | | |
| Type of control | Push Button Control | Push Button Control | Slider Switch Control | Slider Switch Control |
| Power levels | 3 + 1 intensive | 3 + 1 intensive | 3 + 1 intensive | 3 |
| Electronic power level display | - | - | - | - |
| Lighting | 2 x LED lights | 2 x LED lights | 2 x LED lights | 2 x LED lights |
| Softlight with dimmer function | - | - | - | - |
| Number of metal grease filter cassettes | 2 | 1 | 2 | 1 |
| Furniture door required | ● | ● | ● | ● |
| Suitable for ducted operation / recirculating | ● | ● | ● | ● |
| PERFORMANCE / TECHNICAL INFORMATION | | | | |
| Appliance width (mm) | 700 | 520 | 530 | 534 |
| EXTRACTION RATE IN M³/H ^(2,3) | | | | |
| - Ducted / recirculating at power level 1 | 345 / 210 | 295 / 210 | 196 / 134 | 130 / 110 |
| - Ducted / recirculating at power level 2 | 540 / 270 | 450 / 260 | 280 / 198 | 160 / 160 |
| - Ducted / recirculating at power level 3 | 630 / 300 | 560 / 290 | 362 / 268 | 302 / 300 |
| - Ducted / recirculating at power level 4 or intensive level 1 | - | - | - | - |
| - Ducted / recirculating, intensive setting or intensive level 2 | 730 / 310 | 615 / 300 | 618 / 395 | - |
| NOISE LEVEL (SOUND POWER) BASED ON DB(A) RE 1 PW ^(2,4) | | | | |
| - Ducted / recirculating at power level 1 | 53 / 67 | 50 / 66 | 38 / 49 | 46 / 49 |
| - Ducted / recirculating at power level 2 | 63 / 71 | 63 / 71 | 49 / 58 | 50 / 53 |
| - Ducted / recirculating at power level 3 | 66 / 73 | 67 / 74 | 56 / 64 | 62 / 65 |
| - Ducted / recirculating at power level 4 or intensive level 1 | - | - | - | - |
| - Ducted / recirculating, intensive setting or intensive level 2 | 69 / 74 | 70 / 75 | 68 / 72 | - |
| Pipe outlet diameter (mm) | 150 / 120 | 150 / 120 | 150 / 120 | 120 |
| Min. distance above an electric hob / gas hob ⁵ (mm) | 500 / 650 | 500 / 650 | 650 / 650 | 550 / 650 |
| GB plug | ● | ● | ● | ● |
| Energy Rating | C | C | C | D |
| OPTIONAL ACCESSORIES ⁶ | | | | |
| Standard Recirculation Filter / Kit | DH25605 | DH25605 | DH27305 | DW20IN0T0 |
| CleanAir Plus Anti-Pollen Recirculation Kit | DWZ1IX1C6 | DWZ1IX1C6 | - | - |
| Long Life Regenerative Recirculation Kit | DWZ1IT1D1 | DWZ1IT1D1 | - | - |

● = Yes - = No

¹Power automatically reverts back to normal setting after intensive.

²Air Flow and noise declarations made in line with CECEC Code of Conduct.

³Measured according to EN61591 on largest pipe diameter.

⁴Sound power measured according to EN60704-3 on largest pipe diameter.

⁵From top of pan supports.

⁶A type of recirculating kit is required if recirculating. Depending on the model, a 'Recirculating odour filter kit' will consist of the following items: Charcoal filter, flexible hose, air duct, fixing components, installation instructions.

Data valid in this table as of April 2023. Subject to modification without prior notice.

Telescopic hoods

Our telescopic hoods with logo design handle and stainless steel filter covers, also have improved installation.



| HOOD TYPE | TELESCOPIC | TELESCOPIC | TELESCOPIC |
|--|---------------------|---------------------|-----------------------|
| DESIGN FAMILY | SERIES 4 | SERIES 4 | SERIES 2 |
| MODEL | DFS097A51B | DFS067A51B | DFM063W56B |
| Colour | Metallic Silver | Metallic Silver | Metallic Silver |
| KEY FEATURES | | | |
| PerfectAir Sensor | - | - | - |
| Home Connect | - | - | - |
| Hob Hood Control | - | - | - |
| EcoSilence Drive Motor | ● | ● | - |
| Intensive setting / Automatic intensive revert ¹ | ● | ● | - |
| Filter saturation indicators | - | - | - |
| ADDITIONAL PROGRAMMES / FUNCTIONS | | | |
| Type of control | Push Button Control | Push Button Control | Rocker Switch Control |
| Power levels | 3 + 1 intensive | 3 + 1 intensive | 2 |
| Electronic power level display | - | - | - |
| Lighting | 3 x LED lights | 2 x LED lights | 2 x LED lights |
| Softlight with dimmer function | - | - | - |
| Number of metal grease filter cassettes | 3 | 2 | 2 |
| Furniture door required | ● | ● | ● |
| Suitable for ducted operation / recirculating | ● | ● | ● |
| PERFORMANCE / TECHNICAL INFORMATION | | | |
| Appliance width (mm) | 898 | 598 | 598 |
| EXTRACTION RATE IN M³/H ^(2,3) | | | |
| - Ducted / recirculating at power level 1 | 210 / 171 | 211 / 171 | 255 / 199 |
| - Ducted / recirculating at power level 2 | 314 / 265 | 316 / 265 | 328 / 231 |
| - Ducted / recirculating at power level 3 | 397 / 346 | 399 / 346 | - |
| - Ducted / recirculating at power level 4 or intensive level 1 | - | - | - |
| - Ducted / recirculating, intensive setting or intensive level 2 | 729 / 559 | 728 / 559 | - |
| NOISE LEVEL (SOUND POWER) BASED ON DB(A) RE 1 PW ^(2,4) | | | |
| - Ducted / recirculating at power level 1 | 41 / 43 | 41 / 43 | 58 / 64 |
| - Ducted / recirculating at power level 2 | 49 / 54 | 49 / 54 | 64 / 68 |
| - Ducted / recirculating at power level 3 | 53 / 61 | 53 / 61 | - |
| - Ducted / recirculating at power level 4 or intensive level 1 | - | - | - |
| - Ducted / recirculating, intensive setting or intensive level 2 | 69 / 72 | 68 / 72 | - |
| Pipe outlet diameter (mm) | 150 / 120 | 150 / 120 | 150 / 120 |
| Min. distance above an electric hob / gas hob ⁵ (mm) | 430 / 650 | 430 / 650 | 430 / 650 |
| GB plug | ● | ● | ● |
| Energy Rating | A | A | C |
| OPTIONAL ACCESSORIES ⁶ | | | |
| CleanAir Standard Recirculation Kit | DWZ2IT114 | DWZ2IT114 | DWZ2IT114 |
| CleanAir Plus Anti-Pollen Recirculation Kit | DWZ1IX1C6 | DWZ1IX1C6 | - |
| Long Life Regenerative Recirculation Kit | DWZ1IT1D1 | DWZ1IT1D1 | - |
| Replacement CleanAir Plus Anti-Pollen Filter | DWZ1IX1B6 | DWZ1IX1B6 | - |
| Telescopic Hood Installation Kit for 90cm Wall Unit | DS24920 | - | - |

● = Yes - = No

¹Power automatically reverts back to normal setting after intensive.

²Air Flow and noise declarations made in line with CECEC Code of Conduct.

³Measured according to EN61591 on largest pipe diameter.

⁴Sound power measured according to EN60704-3 on largest pipe diameter.

⁵From top of pan supports.

⁶A type of recirculating kit is required if recirculating. Depending on the model, a 'Recirculating odour filter kit' will consist of the following items: Charcoal filter, flexible hose, air duct, fixing components, installation instructions.

Data valid in this table as of April 2023. Subject to modification without prior notice.

Integrated and built-under hoods are a great solution when working with a small space. Both sit under kitchen cabinets and blend seamlessly into any kitchen.



| HOOD TYPE | INTEGRATED | INTEGRATED | CONVENTIONAL |
|---|---------------------------|---------------------------|---------------------|
| DESIGN FAMILY | SERIES 2 | SERIES 2 | SERIES 2 |
| MODEL / WIDTH | DEM66AC00B | DEM63AC00B | DUL63CC50B |
| Colour | Metallic Silver Lacquered | Metallic Silver Lacquered | Stainless Steel |
| KEY FEATURES | | | |
| PerfectAir Sensor | - | - | - |
| Home Connect | - | - | - |
| Hob Hood Control | - | - | - |
| Eco Silence Drive Motor | - | - | - |
| Intensive setting / Automatic intensive revert ¹ | - | - | - |
| Filter saturation indicators | - | - | - |
| ADDITIONAL PROGRAMMES / FUNCTIONS | | | |
| Type of control | Push Button Control | Push Button Control | Push Button Control |
| Power levels | 3 | 3 | 3 |
| Electronic power level display | - | - | - |
| Lighting | 2 x LED lights | 2 x LED lights | 2 x LED lights |
| Softlight with dimmer function | - | - | - |
| Number of metal grease filter cassettes | 2 | 2 | 2 |
| Furniture door required | ● | ● | - |
| Suitable for ducted operation / recirculating | ● | ● | ● |
| PERFORMANCE / TECHNICAL INFORMATION | | | |
| Appliance width (mm) | 599 | 599 | 600 |
| EXTRACTION RATE IN M³/H⁽²⁻³⁾ | | | |
| - Ducted / recirculating at power level 1 | 256 / 208 | 240 / 224 | 175 / 70 |
| - Ducted / recirculating at power level 2 | 352 / 320 | 288 / 256 | 260 / 90 |
| - Ducted / recirculating at power level 3 | 625 / 416 | 368 / 272 | 350 / 110 |
| - Ducted / recirculating at power level 4 or intensive level 1 | - | - | - |
| - Ducted / recirculating, intensive setting or intensive level 2 | - | - | - |
| NOISE LEVEL (SOUND POWER) BASED ON DB(A) RE 1 PW⁽²⁻⁴⁾ | | | |
| - Ducted / recirculating at power level 1 | 49 / 57 | 52 / 64 | 56 / 66 |
| - Ducted / recirculating at power level 2 | 56 / 68 | 56 / 67 | 65 / 73 |
| - Ducted / recirculating at power level 3 | 70 / 75 | 62 / 68 | 72 / 77 |
| - Ducted / recirculating at power level 4 or intensive level 1 | - | - | - |
| - Ducted / recirculating, intensive setting or intensive level 2 | - | - | - |
| Pipe outlet diameter (mm) | 150 / 120 | 150 / 120 | 100 / 120 |
| Min. distance above an electric hob / gas hob ⁵ (mm) | 500 / 650 | 500 / 650 | 650 / 650 |
| GB plug | ● | ● | ● |
| Energy Rating | B | D | D |
| OPTIONAL ACCESSORIES⁶ | | | |
| Standard Recirculation Kit | DWZ0M0A0 | DWZ0M0A0 | DH2Z701 |

● = Yes - = No

¹Power automatically reverts back to normal setting after intensive.

²Air flow and noise declarations made in line with CECEC Code of Conduct.

³Measured according to EN61591 on largest pipe diameter.

⁴Sound power measured according to EN60704-3 on largest pipe diameter.

⁵From top of pan supports.

⁶A type of recirculating kit is required if recirculating. Depending on the model, a 'Recirculating odour filter kit' will consist of the following items: Charcoal filter, flexible hose, air duct, fixing components, installation instructions.

Data valid in this table as of April 2023. Subject to modification without prior notice.

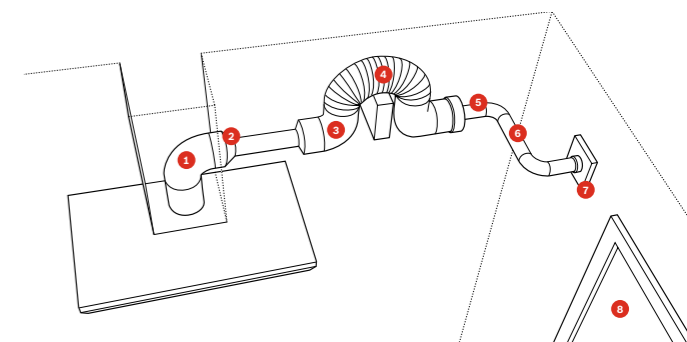
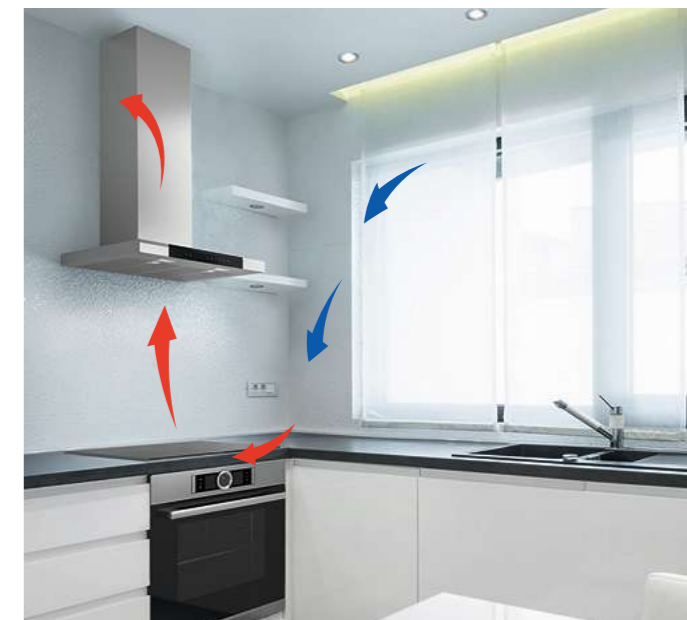
Ducted or recirculation mode?

Ducted extraction

Ducting out is the most effective method of extraction if the hood can be sited on an outside wall, or an outside wall can be reached via ducting. The main difference between ducted and recirculation cooker hoods is that ducted systems can extract steam and odours, as well as grease. All our extractors are now standardised to a 150mm diameter outlet for easier installation. Use of 120/125mm diameter ducting is also possible, but will result in reduced air flow and increased noise. Use of 100mm diameter ducting is not recommended.

The following points should be observed for optimum ducted extraction results:

1. Ensure any pipe elbow bends are at least 30cm from the hood ducting opening.
2. Avoid reducing the diameter or area of the ducting.
3. Use wide-angled pipe elbows, but keep the number used to a minimum.
4. Only install pipes with smooth, even inner surfaces. If a flexible hose has to be used, ensure it is pulled tight to smooth out the ridges before fixing.
5. Avoid reducing the diameter or area of the ducting.
6. Use ducting pipes with a diameter of at least 120mm, but ideally 150mm.
7. Keep piping to a minimum – use the most direct route to external outlet.
8. Make sure that there is an adequate supply of fresh air to replace the air ducted out of the kitchen i.e. windows that can be opened, doors to adjacent rooms, air bricks.



Problems with installation may occur if points 1 to 8 are not observed.

Recirculation kit

Cooker hoods with recirculation are energy-efficient and much easier to install. Air is passed through the metal filter to extract the grease and then through a special charcoal filter, which removes odours and in high performance **Clean Air Plus filters** also removes over 99% of pollen*. The purified air is then returned to the room. As no ducting openings are necessary, this is an energy-efficient method of extraction as no energy can escape (i.e. cool air in the summer or warm air in the winter), making it a good choice for low energy houses. The kit contains all you need to set the hood up for recirculation and installation is relatively easy. Check each model for details on the appropriate recirculation kit accessory.

*Ambrosia-Pollen following test procedure ISO/TS 11155-1.



Tips and hints

1. Calculate the extraction capacity needed.
2. Choose a hood with at least the same width of your hob.
3. Ensure efficient pipe ducting installation.
4. As a guide the hood should be installed at a minimum of 65cm above a gas hob or 55cm above an electric hob.
5. To effectively remove cooking odours from your kitchen, switch the hood on 5-10 minutes prior to cooking.
6. Leave the hood to run at a low setting after cooking has finished for 5-10 minutes to remove any lingering odours. Or simply select the Automatic After Running function, which enables the hood to continue running at a low speed for 10 minutes before automatically turning itself off (available on selected models).
7. Regularly clean metal grease filters to ensure optimum extraction performance. All of our metal grease filters, brushed steel filters and rim ventilation filters are dishwasher-proof.
8. Choosing the correct extractor. As a guideline, the air in the room should be changed 6-12 times per hour. Calculate the floor area in square metres and multiply by the height of the room in metres. Then divide the maximum extraction rate of your chosen hood by the figure calculated above. The resulting figure should be at least 7, but preferably as close to 12 as possible.

Example

Kitchen (H x W x D) metres 2.1 x 4.5 x 4.2 = 39.7m³.

Assume a maximum of 12 air changes per hour – multiply 39.7m³ by 12 = 476m³/h. Choose a hood capable of extracting at least this amount of air per hour – e.g. DWB96DM50B (max ducted extraction rate intensive 580m³ per hour).

Installation tips

Hoods

Keep air fresh and free of cooking smells

Extractor hoods are an integral part of a clean and fresh working kitchen environment. Not only do Bosch extractor hoods look good and add a professional touch to your kitchen, they also deal quietly and efficiently with the key tasks of eliminating unwanted odours and removing grease and moisture from the kitchen.

Chimney extractor hoods

Choose between wall-mounted models or an island version to create a striking focal point in the kitchen. Some models are further enhanced by glass canopies. Available in the following sizes: 60, 75, and 90cm wide.

Chimney extractor easy mounting system

Installing your new cooker hood in the kitchen is quick and straightforward with the patented easy mounting system. The self-levelling fixing rings allow you to precision adjust the horizontal position of the hood by up to a 6mm radius.

Telescopic extractor

Ideal where an unobtrusive extractor is required. Built into a wall cabinet above the hob, it can be extended when in use, and retracted when not. Use the special handle profile accessory, or if you prefer, a matching pelmet from your kitchen supplier. Available in the following sizes: 60 or 90cm wide.

Conventional extractor hoods

Ideal where space is at a premium, these 14cm tall extractors can be mounted directly to the wall or suspended beneath a reduced height wall cupboard. 60cm wide.

Integrated extractor hoods

Integrated extractor hoods are designed to be mounted between two cabinets with a matching furniture door affixed to the front.

Canopy extractor hoods

Designed to fit discreetly into the base of a wall cupboard, or specially designed furniture canopy with operation from below.

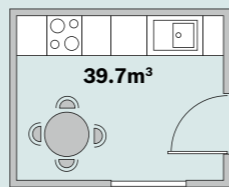
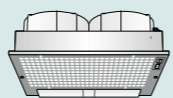
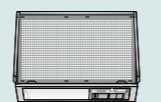
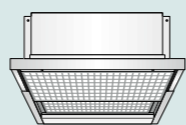
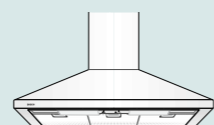
Choosing the correct extractor

As a guideline, the air in the room should be changed six to twelve times per hour. Calculate the floor area in square metres and multiply by the height of the room in metres. Then divide the maximum extraction rate of your chosen hood by the figure calculated above. The resulting figure should be at least seven, but preferably as close to twelve as possible.

Example

Kitchen (H x W x D) metres 2.1 x 4.5 x 4.2 = 39.7m³.
Assume a maximum of 12 air changes per hour – multiply 39.7m³ by 12 = 476m³/h.
Choose a hood capable of extracting at least this amount of air per hour – e.g. DWB96DM50B (max ducted extraction rate intensive 580m³ per hour).

To avoid excessive noise, try to select a model which meets the above requirements on an intermediate speed, rather than at the highest speed.



12 x 39.7m³ = 476m³/h

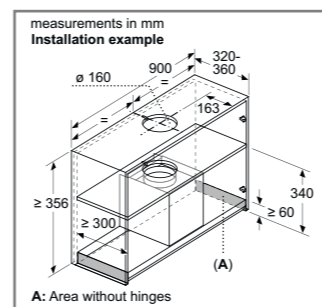
Quick checklist

Type of hood

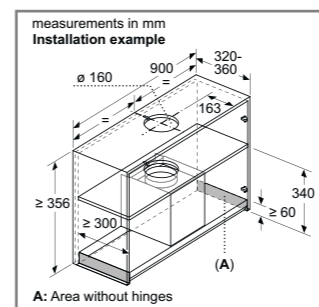
- Chimney
- Telescopic
- Conventional
- Integrated
- Canopy
- Ceiling
- Ducted
- Re-circulated
- Width of hood
- Size of kitchen
- Required extraction rate

Hoods technical diagrams

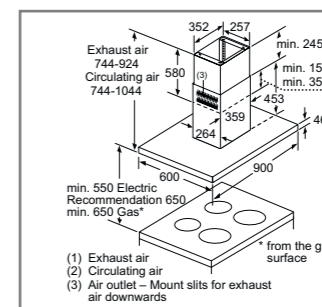
Designer, Island, ceiling and chimney hoods



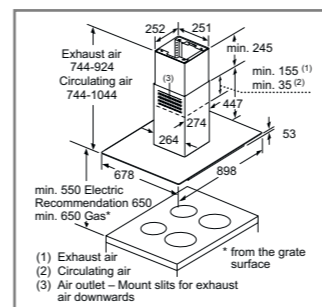
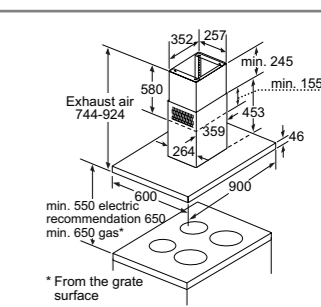
DBB97AM60B



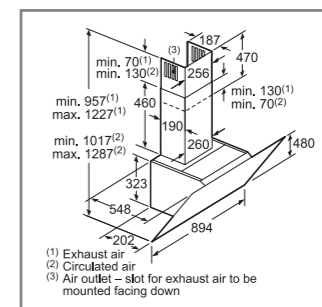
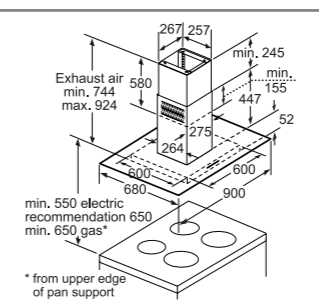
DBB67AM60B



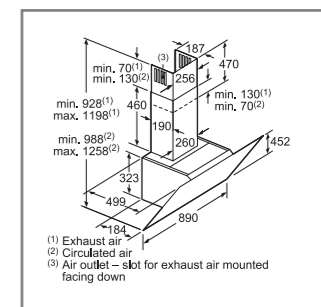
DIB98JQ50B



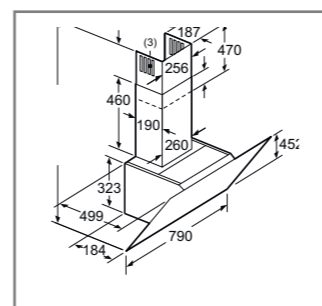
DIG97IM50B



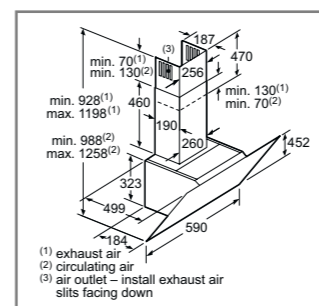
DWK98PR60B



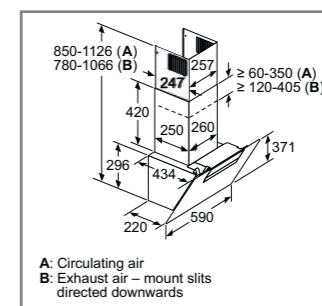
DWK97JQ60B



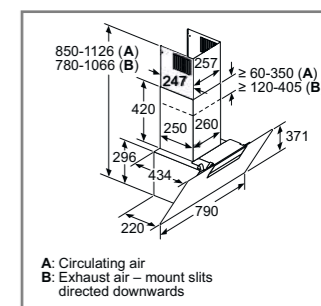
DWK87CM60B



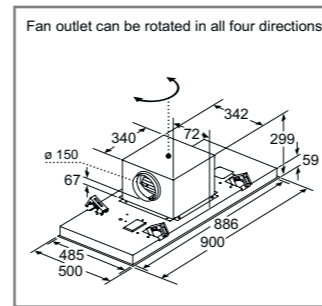
DWK67CM60B



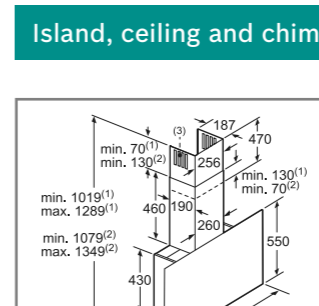
DWK67EM60B



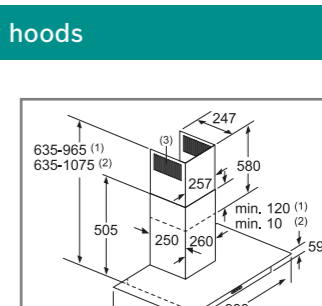
DWK87EM60B



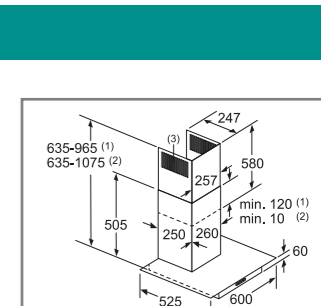
DRC97AQ50B



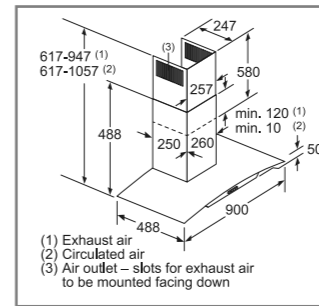
DWF97RV60B



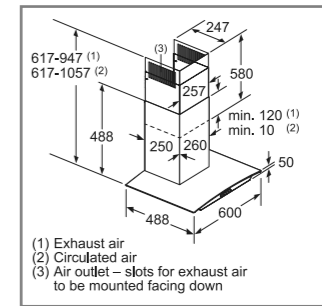
DWG94BC50B



DWG64BC50B



DWA96DM50B, DWA94BC50B



DWA66DM50B, DWA64BC50B

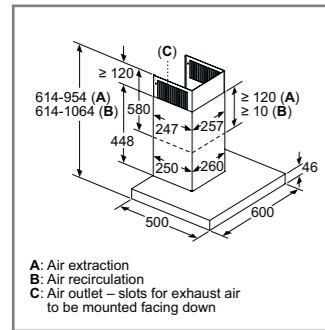
Island, ceiling and chimney hoods

All diagram measurements are in millimetres (mm)

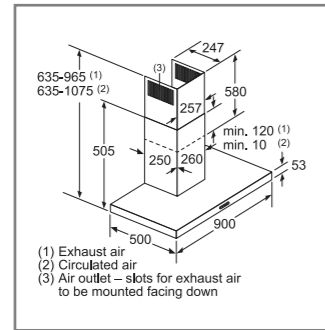
We try to keep up to date with constant technological improvements, so from time to time we may update installation guidelines. Therefore we strongly recommend that you download the latest installation guidelines from www.bosch-home. ie. Line drawings are for guidance only, and we recommend that you refer to the latest installation guidelines. Though every care is taken to ensure instructions are correct at the time of printing, Bosch cannot accept responsibility for incorrect planning or installation as a result of the use of these line drawings.

Hoods technical diagrams

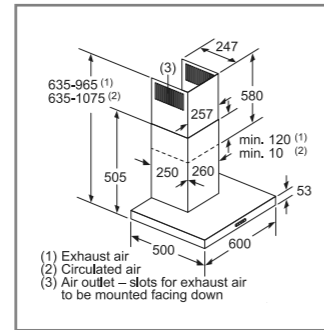
Chimney hoods



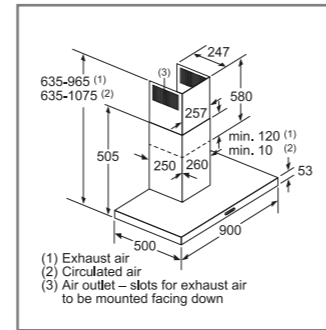
DWB98JQ50B, DWB68JQ50B



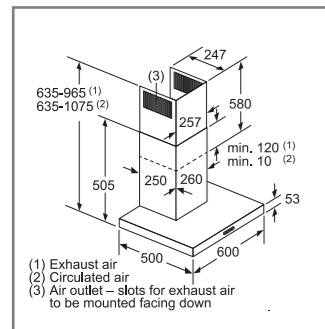
DWB96DM50B



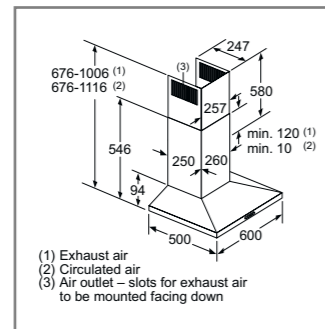
DWB66DM50B



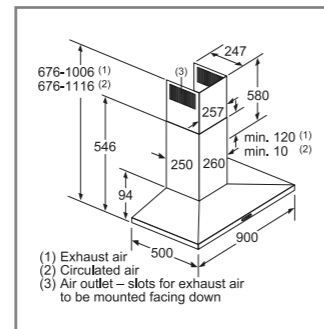
DWB94BC50B



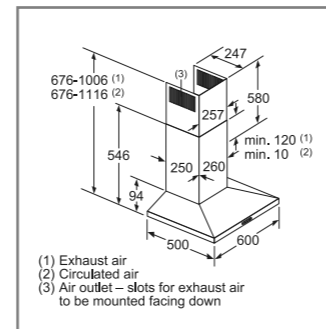
DWB64BC50B



DWQ66DM50B

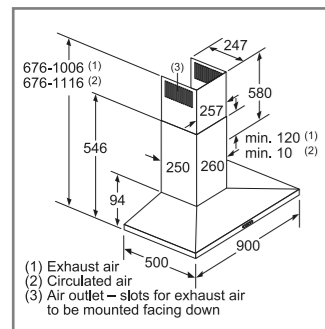


DWQ96DM50B

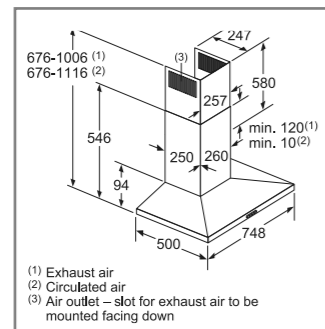


DWQ66DM50B

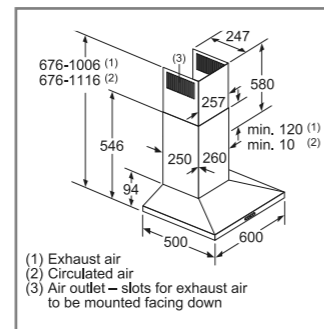
Chimney hoods



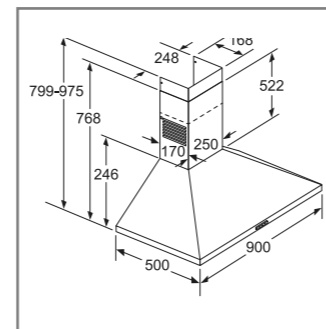
DWQ94BC50B



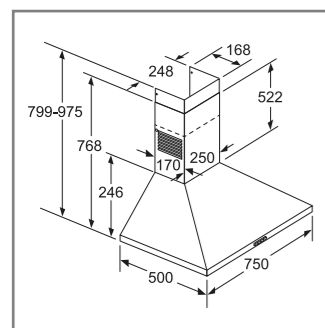
DWQ74BC50B



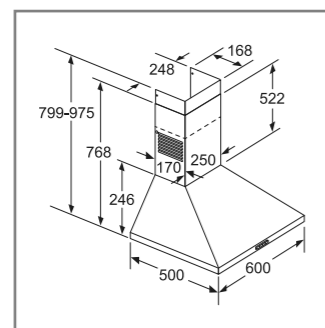
DWQ64BC50B



DWP94BC50B

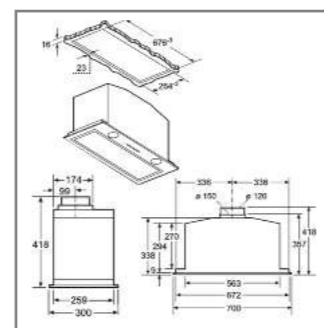


DWP74BC50B

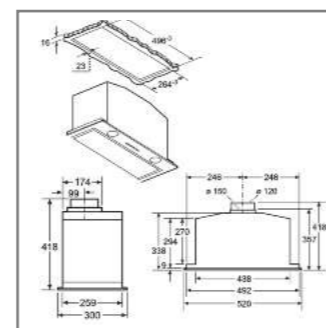


DWP64BC50B

Telescopic, canopy and integrated hoods

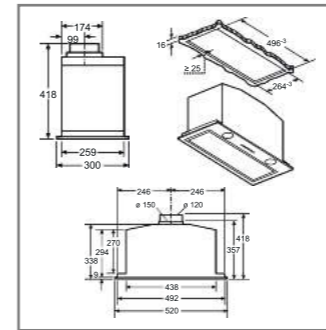


DHL785CGB

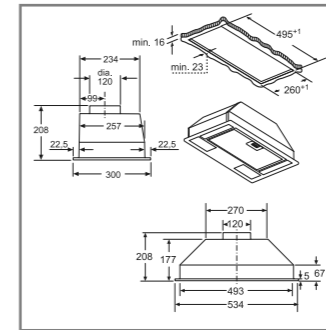


DHL575CGB

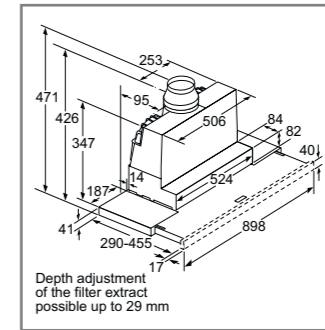
Telescopic, canopy and integrated hoods



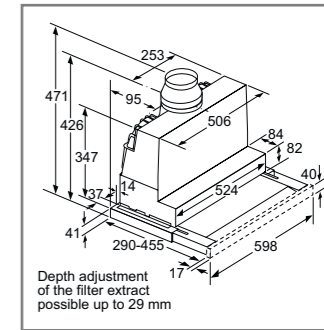
DHL555BLGB, DHL575CGB



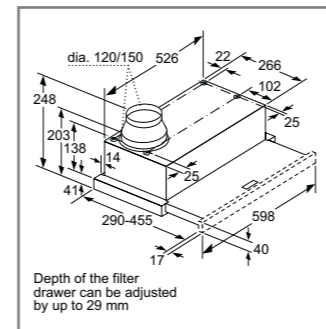
DLN53AA70B



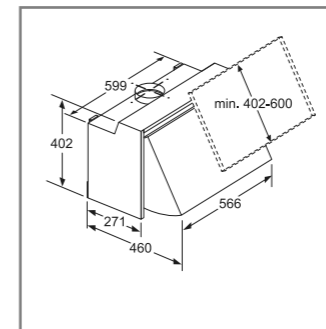
DFS097A51B



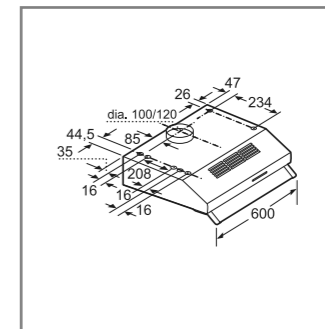
DFS067A51B



DFM063W56B



DEM66AC00B, DEM63AC00B



DUL63CC50B

Recirculation filters

| Type | Standard charcoal filter | CleanAir filter | New Regenerative CleanAir filter |
|--|--|--|--|
| Odour reduction guide | Up to 86% | Up to 95% | Up to 95% Up to 86% if installed without chimney |
| Recommended lifetime | 6 - 12 months | 12 months | 10 years |
| Benefits | Simple installation Anti-fish treatment | High odour reduction Up to 3dB (A) sound reduction Better extraction performance Anti-fish treatment | High odour reduction Up to 3dB (A) sound reduction Regenerated in the oven every four months recommended (two hours, 200°C) Better extraction performance |
| Installation | Behind grease filter, inside the hood | Extra module attached to hood chimney (stainless steel) New: Integrated plastic module fitted inside the chimney piece | Extra module (as per CleanAir filter) onto chimney or inside chimney Chimless installation possible |
| Installation without chimney possible? | Yes (Angled and Flat hoods only) | No – module must fit onto chimney or inside the chimney | Yes (Angled and Flat hoods only) |

A range of recirculation filters are available depending on the model of hood and offer excellent odour reduction rates and performance benefits. The new regenerative filters can last up to 10 years and are regenerated through a heating process in the oven every four months

For full specification details, please log onto our website and download a full specification sheet.

All diagram measurements are in millimetres (mm)

We try to keep up to date with constant technological improvements, so from time to time we may update installation guidelines. Therefore we strongly recommend that you download the latest installation guidelines from www.bosch-home.ie. Line drawings are for guidance only, and we recommend that you refer to the latest installation guidelines. Though every care is taken to ensure instructions are correct at the time of printing, Bosch cannot accept responsibility for incorrect planning or installation as a result of the use of these line drawings.

Series 8

Perfection in every detail, our **Series 8** range stands out from the crowd with superior quality, results and first-class design. Discover cutting-edge features and extras such as **i-DOS** automatic dosing system and targeted **Anti Stain** programmes to take the guesswork out of stain removal. Our **4D Wash** function ensures highly efficient usage of water and detergent guaranteeing spotless results. Monitor and control your wash remotely with our **Home Connect** models, developed to give you complete control over your washing.

Series 6

Our **Series 6** models offer advanced features to make life easier. **i-DOS** doses each load with millilitre precision, which not only delivers outstanding results but a host of savings. **Speed Perfect** allows you to wash up to 65% faster** without compromising results.

Series 4

Easy to operate with family in mind, our **Series 4** range truly understands your requirements. Practical and straightforward to use, these appliances combine easy operation with stylish design. These models benefit from the **Reload** function, which allows you to open the door throughout most of the cycle so you can add or remove items at any time.

Energy and water-saving technologies across our latest laundry appliances give you peace of mind when washing and drying your clothes. To help you choose the right appliance, we have divided them into three ranges.



Model shown: WGB256A1GB

4D Wash

A combination of the direct water spray and an extra spin wash enables the most efficient and effective use of water and detergent, even when the drum is fully loaded. Achieve spotless laundry results every time.

Intensive Plus

For heavily soiled laundry, sometimes additional treatment is needed. Intensive Plus gives a boost to your cleaning performance by adding an extra wash for approximately 30 minutes. Providing you with brilliant results even on the most challenging clothes.



Iron Assist

Iron Assist makes ironing easier. It sprays a natural mist that permeates preheated textiles and visibly smooths your laundry. This extra steam treatment reduces or even eliminates the need to iron dried garments.

Mini load

The mini load programme lets you wash single items or very small loads up to 0.5kg more efficiently.

*Bosch washing machines with the 'Hygiene Plus' wash programme at 40° and 60° fulfill scientifically recommended conditions for 99.99% of germ reduction for Enterococcus Hirae and Pseudomonas Aeruginosa, according to Honisch et al. 2014, "Impact of wash cycle time, temperature and detergent formulation on the hygiene effectiveness of domestic laundering." Conducted by University Rhine-Waal.

**Difference between the duration of Easy Care Programme 40°C and the duration of Easy Care Programme 40°C in combination with Speed Perfect option.

Look out for the new energy efficiency class icons throughout our brochure and on our product pages.



Model shown: WGB256A1GB



Never miss an item again.

Reload function on Bosch washing machines allows you to add or remove clothing of any size to your washes. Simply pause the cycle and the machine will automatically adjust the water level to allow you to open the door. Reload your items and restart the wash.

Bosch integrated technology for a peaceful washing experience

Everythings just right with i-DOS

Once activated, the i-DOS system measures the detergent automatically, to the nearest millimetre. Sensors inside the washing machine detect the type of fabric, the load volume in the drum and the degree of soiling and adjust the detergent to the optimum dose accordingly. In this way, you'll achieve the best results for your clothes, whilst **saving detergent and water**.

Enjoy the quiet life.

The modern world is noisy enough, so it's good to know that Bosch technology can help make the home environment a little oasis of calm with our **Eco Silence Drive™**.

The right wash for the right stain.

The **Anti Stain Plus System** easily removes up to 16 of the most stubborn stains, helping you to easily get perfect washing results. The washing machine automatically adjusts the temperature, drum movement and soaking time to meet the demands of the relevant stains before your chosen programme starts.

Less rock and roll.

We've also created **Anti Vibration** technology to cut down noise. The sidewalls of the washing machine feature a spiral design that increases stability and reduces vibrations. Improved sound insulation and low noise shock absorbers further dampen the noise.

Speed Perfect.

With **Speed Perfect** you can reduce your washing time by up to 65%** without compromising results. **Speed Perfect** can be used in combination with most of the programmes, all loads and textiles. For example, by selecting the mix programme in combination with **Speed Perfect** you can thoroughly wash up to 4kg of mixed load in just 41 minutes.

Washing machine functions explained.

Check model for available functions.



Vario Drum
Select the programme for your wash and the droplet-shaped drum structure and asymmetrical paddles will adjust the drum movements to powerful or gentle.



Eco Silence Drive™
Bosch Eco Silence Drive washing machines come with a 10-year motor guarantee.



Aqua Stop
This security gives you peace of mind that the water will stop in the unlikely event of a leak.



i-DOS
i-DOS automatically senses exactly the right amount of detergent and water to use, as well as the correct temperature, whatever your load, adapting to the fabrics, level of soiling and weight of the load.



Hygiene Plus
Hygienic washing results that kill 99.99% of common germs*.



Reload
Simply pause the cycle and the machine will automatically adjust the water. This allows you to add or remove items of any size to your wash.



Time Delay
Have your laundry ready when you need it. Just delay the start of your programme with one simple button.



Capacity
Our freestanding washing machines have a drum capacity of up to 10kg, perfect for those busy households.



Easy Start
Home Connect will pick the perfect programme for you. Simply input what you're washing and your requirements



Speed Perfect
Wash up to 65%** faster without compromising results. Speed Perfect can be used in combination with most other programmes, all loads and textiles.



Model shown for illustrative purposes only.

***i-DOS avoids unnecessary rinse cycles due to manual overdosing. Pair your washing machine with your Home Connect account. Find more information on www.home-connect.com/gb/en/

Freestanding tumble dryer range

Heat pump dryers from Bosch: for those who want to dry particularly economically.

Bosch heat pump dryers use an innovative heat pump component, which conserves and reuses the hot air to provide most of the energy needed for the next drying process.



Model shown: WQB246C9GB

TO FIND OUT MORE ABOUT OUR BOSCH FREESTANDING TUMBLE DRYER RANGE, PLEASE SCAN THE QR CODE BELOW:



Models shown for illustrative purposes only.



Model shown: WPG23108GB

With our condenser tumble dryers, there's no need for a hole in the wall.

With a condenser tumble dryer, the moisture extracted from the washing is collected in a container, so they don't need the typical air extractor hose that goes outside. All you have to do is plug it into an electrical outlet and switch it on.

The patented Self-Cleaning condenser cleverly uses condensation water to automatically clean itself up to four times per drying cycle. That ensures maximum efficiency for the entire working life of your tumble dryer.

Short on space? Have you considered a stacking kit? Please refer to compatibility list on page 88.



Tumble dryer functions explained.

Check model for available functions.

Connected Dry

With Bosch Connected Dry enabled by Home Connect, detailed information from the last wash cycle is sent from the connected washing machine to the dryer. The dryer will then select the perfect programme for your load.



Auto Dry

With Auto Dry sensor technology you can ensure gentle and precise drying results. Auto Dry automatically knows when your load is perfectly dry by constantly measuring the humidity, protecting your clothes against overheating.



Time Delay

Use the Home Connect app to delay the start/end time down to the minute.



Anti Vibration Design

A spiral design on the side of all of our laundry appliances that increases stability and reduces vibration. This makes for a quieter machine with improved sound dampening.



Iron Assist

Bosch heat pump dryers with Iron Assist reduce or even eliminate the need to iron. A fine mist is created inside the drum which permeates the gently warmed contents and visibly smooths laundry.



Self-Cleaning Condenser

The Self-Cleaning Condenser cleverly uses condensation water to automatically clean itself up to four times per drying cycle. This ensures maximum efficiency for the entire working life of the machine – so you'll never have to worry about the condenser again.



Auto Clean

With Auto Clean technology, the lint and fluff will automatically be flushed and safely stored after every cycle, giving you peace of mind and efficient running. The machine will remind you to empty it after 20 cycles. No need to empty the door filter after every cycle, as with a regular machine.



Easy Clean

The Easy Clean condenser filter is simple to access and only needs cleaning after every 20 cycles.



TO FIND OUT MORE ABOUT OUR HOME CONNECT FEATURES, PLEASE SCAN THE QR CODE BELOW:



Models shown for illustrative purposes only.

Connected Dry uses sensors to analyse the load of your washing machine to ensure your dryer automatically selects the ideal drying programme and duration for your clothes.

This will save you coming back to check if your laundry is dry and will use the minimum amount of energy for the load.



Want to wash and dry in one go? After the wash cycle, a washer dryer automatically switches to the chosen drying mode. No need to transfer wet laundry from one appliance to the other. For items you prefer air drying, just run the wash cycle. You can also use the appliance as a dryer, without washing beforehand. It's one machine for all your washing and drying needs.



Model shown: WDU8H549GB



Iron Assist

Iron Assist uses a natural steam mist to smooth dried laundry – and you'll find that some items won't even need ironing at all. It's perfect for jackets, business shirts and even suits.



Model shown: WDU8H541GB

Washer dryer functions explained.

Check model for available functions.



Iron Assist

Iron Assist makes ironing easier. It sprays a natural mist that permeates preheated textiles and visibly smooths your laundry. This extra steam treatment reduces or even eliminates the need to iron dried garments.



Auto Dry

With Auto Dry sensor technology you can ensure gentle and precise drying results. Auto Dry automatically knows when your load is perfectly dry by constantly measuring the humidity, protecting your clothes against overheating.



Wrinkle Guard

Thanks to Wrinkle Guard you'll reduce the size of your ironing pile! The drum will continue to move dry laundry for a period of time after the cycle has finished, so clothes are cooled gradually and don't wrinkle when they are still warm.



Eco Silence Drive™

Bosch Eco Silence Drive™ washing machines come with a 10-year motor guarantee.



Speed Perfect

Wash up to 65%* faster without compromising results. Speed Perfect can be used in combination with most other programmes, all loads and textiles.



Capacity

Our freestanding washer dryers have a drum capacity of up to 10kg, perfect for those busy households. Wash and dry up to 6kg of items in one go or wash up to 10kg.

*Difference between the duration of Easy Care Programme 40°C and the duration of Easy Care Programme 40°C in combination with **Speed Perfect** option.



Model shown: WDU8H541GB

Convenience for small spaces.

Our washer dryers not only wash flawlessly, they also dry perfectly – all in one appliance. An ideal solution for people with high standards but not much space.

Wash & dry in one.

Now you can wash and dry a load thoroughly in just one hour. This programme is suitable for lightly soiled clothes and for washing and drying heat resistant textiles, such as cottons or linen.

Built-in laundry range

Effortlessly efficient, load after load. Our built-in laundry appliances are designed to perform perfectly, everytime. And our advanced technology means your clothes are cleaned effectively and efficiently.

Series 8

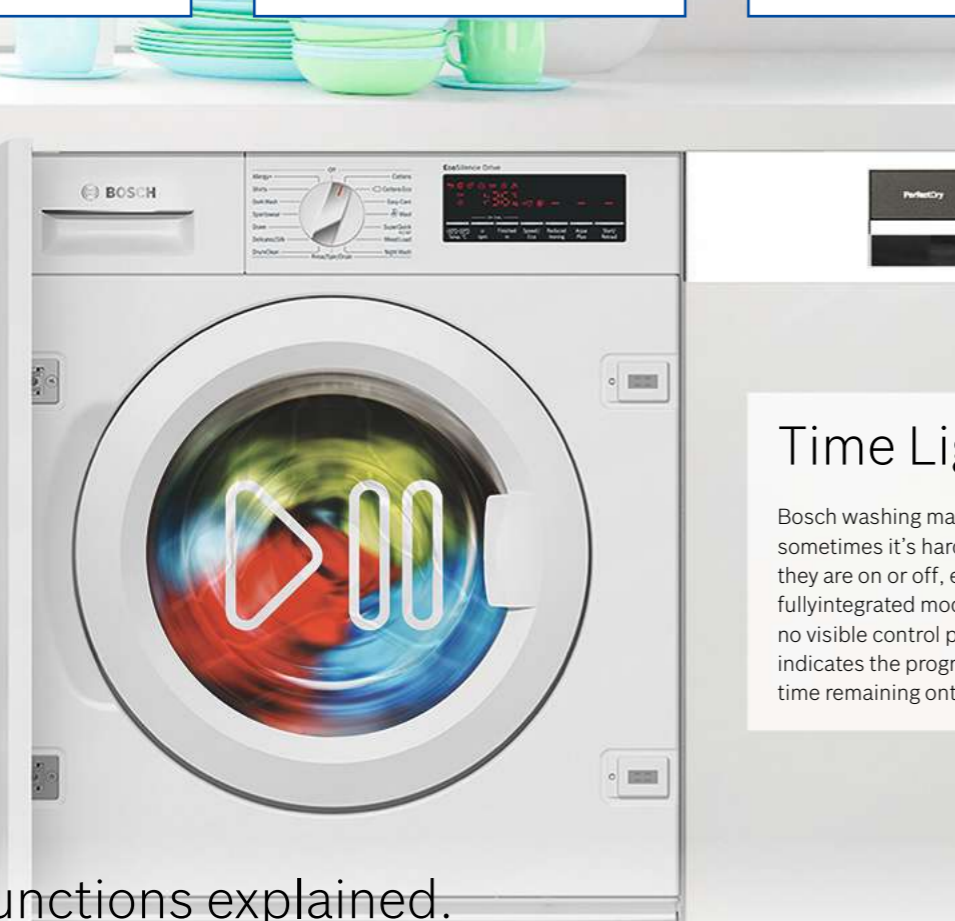
Perfection in every detail, our **Series 8** range of laundry appliances stand out from the crowd with superior quality, results and first-class design. Clever features such as the Time Light take away the guesswork on the progress of the wash. Unique innovations combined with energy efficiency deliver outstanding performance.

Series 6

Our **Series 6** range of laundry appliances offers a broad choice of specialist programmes and deliver high performance and effortless convenience to enhance your lifestyle.

Series 4

Models within our **Series 4** range combine practical features and Bosch quality in a consistent, value for money package.



Time Light.

Bosch washing machines are so quiet sometimes it's hard to tell whether they are on or off, especially on fully integrated models where there is no visible control panel. The Time Light indicates the programme status and time remaining onto any floor surface.

Laundry functions explained.

Check model for available functions.



Time Light

The time remaining on your cycle is projected onto the floor. You can also view the programme progress status.



Vario Drum

Select the programme for your wash and the droplet-shaped drum structure and asymmetrical paddles will adjust the drum movements to powerful or gentle.



Eco Silence Drive™

Our washing machines with Eco Silence Drive™ generate lower noise levels for quieter living.



Aqua Stop

This security gives you peace of mind that the water will stop in the unlikely event of a leak.



Reload

Simply pause the cycle and the machine will automatically adjust the water. This allows you to add or remove items of any size to your wash.



Time Delay

Have your laundry ready when you need it. Just delay the start of your programme with one simple button.



Anti Vibration Design

A spiral design on the side of the washing machine that increases stability and reduces vibration. This makes for a quieter machine with improved sound dampening.



Capacity

Our built-in washing machines have a drum capacity of up to 8kg, perfect for those busy households.

Explore more at [bosch-home.ie](https://www.bosch-home.ie)

Washing machines



| TYPE | WASHER | WASHER |
|---|-----------------------|-----------------------|
| DESIGN FAMILY | SERIES 8 | SERIES 6 |
| MODEL | WIW28502GB | WIW28302GB |
| KEY FEATURES | | |
| Time Light projection on floor | • | - |
| Reload function | • | • |
| Speed Perfect | • | • |
| Reduced noise wash | • | • |
| Eco Silence Drive | • | • |
| Drum design | Vario Drum | Vario Drum |
| Anti Vibration design | • | • |
| ADDITIONAL FEATURES | | |
| Time delay | 24 hours | - |
| Child lock | • | • |
| Drum interior light | • | • |
| Water protection system | AquaStop | AquaStop |
| PROGRAMMES/FUNCTIONS | | |
| Eco 40-60 | • | • |
| Cottons | • | • |
| Super Quick 15/30 | • | - |
| Hygiene Plus | - | • |
| Easy-care | • | • |
| Mixed Load | • | • |
| Wool | • | • |
| Delicates/Silk | • | - |
| Shirts and blouses | • | - |
| Sportswear | • | - |
| Dark Wash/Easy Care plus/Jeans | • | - |
| Duvet/ Down wear | • | - |
| Drum Clean | • | - |
| Extra Rinse | - | - |
| Pre Wash | • | • |
| Rinse/Spin | • | • |
| Rinse hold | • | • |
| Variable Temperature/Variable Spin | • | -/• |
| PERFORMANCE / TECHNICAL INFORMATION | | |
| Energy efficiency class ¹ | A C | A C |
| Load capacity (kg) | 1 - 8 | 1 - 8 |
| Energy ² / Water ³ (kWh / litres) | 62 / 45 | 62 / 45 |
| Programme duration ⁴ (h:mm) | 3:26 | 3:26 |
| Maximum spin speed (rpm) ⁵ | 1400 | 1400 |
| Spin efficiency class | B | B |
| Noise level (dB(A) re 1 pW) | 66 | 66 |
| Noise emission class | A | A |
| Dimensions of the product h x w x d (inc. hinge and 19mm door) (mm) | 818 x 596 x 544 (574) | 818 x 596 x 544 (574) |
| Door opening angle | 130° | 130° |
| Depth with open door 90° (mm) | 956 | 956 |
| Height adjustability (mm) | 12 | 12 |
| Length of electrical supply cord (cm) | 210 | 210 |
| Length of supply hose/ drain hose (cm) | 220 / 220 | 220 / 220 |
| Door hinge (door porthole) | Left-hand | Left-hand |

• = Yes - = No

¹ On an energy-efficiency class scale from A to G ² Energy consumption in kWh/100 operating cycles (using Eco 40-60 programme)

³ Water consumption in litres/operating cycle (using Eco 40-60 programme) ⁴ Duration of Eco 40-60 programme

⁵ The specified value is rounded. Data valid in this table as of April 2023. Subject to modification without prior notice.

| TYPE | WASHER DRYER | WASHER DRYER |
|--|-----------------|---------------------------|
| DESIGN FAMILY | SERIES 6 | SERIES 4 |
| MODEL | WKD28543GB | WKD28352GB |
| KEY FEATURES | | |
| Flexi Time (normal/medium/short washing time selection) | • | • |
| Reduced ironing option | - | - |
| Reduced noise programme | • | • |
| Sensor controlled drying | • | - |
| ADDITIONAL FEATURES | | |
| Time delay (h) | • | • |
| Foam detection system | • | • |
| Balance control | • | • |
| Child lock | • | • |
| Water protection system | Aqua Secure | Multiple water protection |
| PROGRAMMES/FUNCTIONS | | |
| Hygiene Plus | • | - |
| Super Quick 15 | • | - |
| Eco 40-60 | • | • |
| Cottons | • | • |
| Easy-care programme | • | • |
| Wool programme | • | • |
| Delicates/Silk | • | - |
| Intensive wash | • | • |
| Intensive Dry | • | • |
| Gentle Dry | • | • |
| Easy Clean | • | • |
| Rinse/Spin | • | • |
| Spin/Drain | • | • |
| Sportswear | • | - |
| Mixed Load | • | - |
| Aqua Plus/Rinse Plus | • | • |
| Pre wash | • | • |
| Variable Temperature/Variable Spin | •/• | -/• |
| PERFORMANCE / TECHNICAL INFORMATION | | |
| Energy efficiency class washing and drying ¹ | A E | A E |
| Energy efficiency class washing ² | A E | A E |
| Energy ³ / Water ⁴ washing and drying (kWh / litres) | 108 / 68 | 266 / 68 |
| Energy ³ / Water ⁴ washing (kWh / litres) | 77 / 44 | 77 / 44 |
| Load capacity washing and drying / washing (kg) | 1 - 4 / 1 - 7 | 1 - 4 / 1 - 7 |
| Programme duration ⁵ washing and drying / washing (h:mm) | 5:30 / 2:50 | 5:30 / 2:50 |
| Spin efficiency class | B | B |
| Spin speed ⁶ (rpm) | 1400 | 1400 |
| Noise level (dB(A) re 1 pW) | 72 | 72 |
| Noise emission class | A | A |
| Dimensions of the product h x w x d (inc. hinge and 20mm door) (mm) | 820 x 595 x 584 | 820 x 595 x 584 (584) |
| Door opening angle | 95° | 95° |
| Depth with open door 90° (mm) | 960 | 960 |
| Height adjustability (mm) | 150 | 150 |
| Length of electrical supply cord (cm) | 220 | 220 |
| Length of supply hose/ drain hose (cm) | 200/200 | 200/200 |
| Door hinge (door porthole) | Left-hand | Left-hand |

• = Yes - = No

^{1,2} On an energy-efficiency class scale from A to G ³ Energy consumption in kWh/100 complete operating cycles (using Eco 40-60 programme) ⁴ Water consumption in litres/complete operating cycle (using Eco 40-60 programme) ⁵ Energy consumption in kWh/100 wash cycles (using Eco 40-60 programme) ⁶ Water consumption in litres/wash cycle (using Eco 40-60 programme) ⁷ Duration of Eco 40-60 programme, complete operating cycle / wash cycle ⁸ The specified value is rounded. Data valid in this table as of April 2023. Subject to modification without prior notice.

5 Year Warranty - Offer dates 01.04.23 - 31.03.24. T&C's apply. Online registration required. Selected models only. For full specification details, please log onto our website and download a full specification sheet.



| TYPE | WASHER | WASHER | WASHER | WASHER |
|--|-----------------------|---------------------------|---------------------------|---------------------------|
| DESIGN FAMILY | SERIES 8 | SERIES 6 | SERIES 6 | SERIES 6 |
| MODEL | WGB256A1GB | WGG254F0GB | WGG245S2GB | WGG25402GB |
| KEY FEATURES | | | | |
| Home Connect | • | - | - | - |
| i-DOS detergent dosing system | • | • | - | - |
| Speed Perfect | • | • | • | • |
| Reload facility | • | • | • | • |
| Stain Removal system | Anti Stain Plus (16) | Anti Stain Plus (4) | Anti Stain (4) | Anti Stain (4) |
| Eco Silence Drive | • | • | • | • |
| Anti Vibration design | • | • | • | • |
| Reduced ironing option | • | • | • | • |
| Reduced noise option | - | - | - | - |
| 4D Wash system | • | - | - | - |
| Intensive Plus | • | - | - | - |
| Consumption indicator | - | - | - | - |
| ADDITIONAL FEATURES | | | | |
| Time delay | 24 hours | 24 hours | 24 hours | 24 hours |
| Child lock | • | • | • | • |
| Drum interior light | • | - | - | - |
| Safety | Aqua Stop | Multiple Water Protection | Multiple Water Protection | Multiple Water Protection |
| PROGRAMMES / FUNCTIONS | | | | |
| Eco 40-60 | • | • | • | • |
| Cottons | • | • | • | • |
| Super Quick 15/30 | • | • | • | • |
| Hygiene Plus | • | • | • | • |
| Easy-care | • | • | • | • |
| Mixed Load | • | • | • | • |
| Wool | • | • | • | • |
| Delicates/Silk | • | • | • | • |
| Sportswear/ Dark Wash/ Easy Care plus/ Jeans/ Shirts and blouses | • | - | • / • / • / • / | • / • / • / • / |
| Duvet/ Down wear | - | - | • | • / |
| Towels | - | - | - | - |
| Curtains | - | - | - | - |
| Auto programme | • | • | • | • |
| Memory programme | • | - | - | - |
| Drum Clean | • (via App) | • | • | • |
| Extra Rinse | • | • | • | • |
| Pre Wash | • | • | • | • |
| Rinse/Spin | • | - | - | - |
| Rinse hold | • | • | • | • |
| Spin/Drain | • | • | • | • |
| Single Rinse | • | • | • | • |
| Soak | • | • | • | • |
| Variable Temperature/Variable Spin | • | • | • | • |
| PERFORMANCE / TECHNICAL INFORMATION | | | | |
| Energy efficiency class ¹ | A G | A G | A G | A G |
| Load capacity (kg) | 1-10 | 1-10 | 1-10 | 1-10 |
| Energy ² / Water ³ (kWh / litres) | 41 / 49 | 51 / 50 | 51 / 50 | 51 / 50 |
| Programme duration ⁴ (h:mm) | 3:50 | 3:50 | 3:50 | 3:50 |
| Maximum spin speed (rpm) ⁵ | 1400 | 1400 | 1400 | 1400 |
| Spin efficiency class | B | B | B | B |
| Noise level (dB(A) re 1 pW) | 70 | 74 | 74 | 74 |
| Noise emission class | A | B | B | B |
| Dimensions of the product (H x W x D) (inc. door porthole) (mm) | 848 x 598 x 590 (644) | 845 x 598 x 588 (632) | 845 x 598 x 588 (632) | 845 x 598 x 588 (632) |
| Door opening angle | 182° | 160° | 160° | 160° |

• = Yes - = No
¹ On an energy efficiency class scale from A to G ² Energy consumption in kWh/100 operating cycles (using Eco 40-60 programme)
³ Water consumption in litres/operating cycle (using Eco 40-60 programme) ⁴ Duration of Eco 40-60 programme
⁵ The specified value is rounded. **Data valid in this table as of April 2023.** Subject to modification without prior notice.



| TYPE | WASHER | WASHER | WASHER | WASHER |
|--|---------------------------|---------------------------|-----------------------|-----------------------|
| DESIGN FAMILY | SERIES 6 | SERIES 6 | SERIES 6 | SERIES 6 |
| MODEL | WGG244FRGB | WGG244F9GB | WGG2449RGB | WGG2440XGB |
| KEY FEATURES | | | | |
| Home Connect | - | - | - | - |
| i-DOS detergent dosing system | • | • | - | - |
| Speed Perfect | • | • | • | • |
| Reload facility | • | • | • | • |
| Stain Removal system | Anti Stain (4) via app | Anti Stain (4) | Anti Stain (4) | Anti Stain (4) |
| Eco Silence Drive | • | • | • | • |
| Anti Vibration design | • | • | • | • |
| Reduced ironing option | • | • | • | - |
| Reduced noise option | - | - | - | - |
| 4D Wash system | - | - | - | - |
| Intensive Plus | - | - | - | - |
| Consumption indicator | - | - | - | - |
| ADDITIONAL FEATURES | | | | |
| Time delay | 24 hours | 24 hours | 24 hours | 24 hours |
| Child lock | • | • | • | • |
| Drum interior light | • | • | • | • |
| Safety | Multiple Water Protection | Multiple Water Protection | Aqua Protection | Aqua Protection |
| PROGRAMMES / FUNCTIONS | | | | |
| Eco 40-60 | • | • | • | • |
| Cottons | • | • | • | • |
| Super Quick 15/30 | • | • | • | • |
| Hygiene Plus | • | • | • | • |
| Easy-care | • | • | • | • |
| Mixed Load | • | • | • | • |
| Wool | • | • | • | • |
| Delicates/Silk | • | • | • | • |
| Sportswear/ Dark Wash/ Easy Care plus/ Jeans/ Shirts and blouses | • / - / - / - / | • / - / - / - / | • / • / • / • / | • / - / • / • / |
| Duvet/ Down wear | - | - | • | • / |
| Waterproofs | - | - | - | - |
| Towels | - | - | - | - |
| Curtains | - | - | - | - |
| Auto programme | • | • | • | • |
| Memory programme | - | - | - | - |
| Drum Clean | • | • | • | • |
| Extra Rinse | • | • | • | • |
| Pre Wash | • | • | • | • |
| Rinse/Spin | - | - | - | - |
| Rinse hold | • | • | • | • |
| Spin/Drain | • | • | • | • |
| Single Rinse | • | • | • | • |
| Soak | • | • | • | • |
| Variable Temperature/Variable Spin | • | • | • | • |
| PERFORMANCE / TECHNICAL INFORMATION | | | | |
| Energy efficiency class ¹ | A G | A G | A G | A G |
| Load capacity (kg) | 1-9 | 1-9 | 1-9 | 1-9 |
| Energy ² / Water ³ (kWh / litres) | 46 / 48 | 46 / 48 | 46 / 48 | 46 / 48 |
| Programme duration ⁴ (h:mm) | 3:48 | 3:48 | 3:48 | 3:48 |
| Maximum spin speed (rpm) ⁵ | 1400 | 1400 | 1400 | 1400 |
| Spin efficiency class | B | B | B | B |
| Noise level (dB(A) re 1 pW) | 71 | 71 | 71 | 71 |
| Noise emission class | B | A | A | A |
| Dimensions of the product (H x W x D) (inc. door porthole) (mm) | 848 x 598 x 590 (632) | 848 x 598 x 590 (636) | 848 x 598 x 590 (636) | 848 x 598 x 590 (636) |
| Door opening angle | 165° | 165° | 165° | 165° |

• = Yes - = No
¹ On an energy efficiency class scale from A to G ² Energy consumption in kWh/100 operating cycles (using Eco 40-60 programme)
³ Water consumption in litres/operating cycle (using Eco 40-60 programme) ⁴ Duration of Eco 40-60 programme
⁵ The specified value is rounded. **Data valid in this table as of April 2023.** Subject to modification without prior notice.



| TYPE | WASHER | WASHER | WASHER | WASHER |
|--|-----------------------|-----------------------|---------------------------|---------------------------|
| DESIGN FAMILY | SERIES 6 | SERIES 4 | SERIES 4 | SERIES 4 |
| MODEL | WGG24409GB | WGG04409GB | WAN28250GB | WAN282X2GB |
| KEY FEATURES | | | | SILVER INOX |
| Home Connect | - | - | - | - |
| i-DOS detergent dosing system | - | - | - | - |
| Speed Perfect | ● | ● | ● | ● |
| Reload facility | ● | ● | ● | ● |
| Stain Removal system | Anti Stain (4) | - | - | - |
| Eco Silence Drive | ● | ● | ● | ● |
| Anti Vibration design | ● | ● | ● | ● |
| Reduced ironing option | ● | ● | ● | - |
| Reduced noise option | - | - | - | - |
| 4D Wash system | - | - | - | - |
| Intensive Plus | - | - | - | - |
| Consumption indicator | - | - | - | - |
| ADDITIONAL FEATURES | | | | |
| Time delay | 24 hours | 24 hours | 24 hours | 24 hours |
| Child lock | ● | ● | ● | ● |
| Drum interior light | - | - | - | - |
| Safety | Aqua Protection | Aqua Protection | Multiple Water Protection | Multiple Water Protection |
| PROGRAMMES / FUNCTIONS | | | | |
| Eco 40-60 | ● | ● | ● | ● |
| Cottons | ● | ● | ● | ● |
| Super Quick 15/30 | ● | ● | ● | ● |
| Hygiene Plus | ● | ● | ● | ● |
| Easy-care | ● | ● | ● | ● |
| Mixed Load | ● | ● | ● | ● |
| Wool | ● | ● | ● | ● |
| Delicates/Silk | ● | ● | ● | ● |
| Sportswear/ Dark Wash/ Easy Care plus/ Jeans/ Shirts and blouses | ●/●/●/● | ●/●/●/● | ●/●/●/● | ●/●/●/● |
| Duvet/Down wear | ●/● | - | - | - |
| Curtains | - | - | - | - |
| Towels | - | - | - | - |
| Auto programme | - | - | - | - |
| Memory programme | - | - | - | - |
| Drum Clean | ● | ● | ● | ● |
| Extra Rinse | ● | ● | ● | ● |
| Pre Wash | ● | ● | ● | ● |
| Rinse/Spin | - | - | - | - |
| Rinse hold | ● | ● | ● | ● |
| Spin/Drain | ● | ● | ● | ● |
| Single Rinse | ● | ● | ● | ● |
| Soak | ● | - | - | - |
| Variable Temperature/Variable Spin | ● | ● | ● | ● |
| PERFORMANCE / TECHNICAL INFORMATION | | | | |
| Energy efficiency class ¹ | A | A | A | C |
| Load capacity (kg) | 1-9 | 1-9 | 1-8 | 1-8 |
| Energy ² / Water ³ (kWh / litres) | 46 / 48 | 46 / 48 | 46 / 47 | 62 / 47 |
| Programme duration ⁴ (h:mm) | 3:48 | 3:48 | 3:33 | 3:26 |
| Maximum spin speed (rpm) ⁵ | 1400 | 1400 | 1400 | 1400 |
| Spin efficiency class | B | B | B | B |
| Noise level (dB(A) re 1 pW) | 71 | 71 | 71 | 75 |
| Noise emission class | A | A | A | B |
| Dimensions of the product (H x W x D) (inc. door porthole) (mm) | 848 x 598 x 590 (636) | 848 x 598 x 588 (632) | 848 x 598 x 590 (632) | 848 x 598 x 550 (600) |
| Door opening angle | 165° | 160° | 171° | 180° |

● = Yes - = No
¹ On an energy efficiency class scale from A to G ² Energy consumption in kWh/100 operating cycles (using Eco 40-60 programme)
³ Water consumption in litres/operating cycle (using Eco 40-60 programme) ⁴ Duration of Eco 40-60 programme
⁵ The specified value is rounded. **Data valid in this table as of April 2023.** Subject to modification without prior notice.

| TYPE | WASHER | WASHER | WASHER |
|--|---------------------------|---------------------------|---------------------------|
| DESIGN FAMILY | SERIES 4 | SERIES 2 | SERIES 2 |
| MODEL | WAN28282GB | WAJ28002GB | WAJ28001GB |
| KEY FEATURES | | | |
| Home Connect | - | - | - |
| i-DOS detergent dosing system | - | - | - |
| Speed Perfect | ● | ● | ● |
| Reload facility | ● | ● | ● |
| Stain Removal system | - | - | - |
| Eco Silence Drive | ● | ● | ● |
| Anti Vibration design | ● | ● | ● |
| Reduced ironing option | - | - | - |
| Reduced noise option | - | - | - |
| 4D Wash system | - | - | - |
| Intensive Plus | - | - | - |
| Consumption indicator | - | - | - |
| ADDITIONAL FEATURES | | | |
| Time delay | 24 hours | 24 hours | 24 hours |
| Child lock | ● | ● | ● |
| Drum interior light | - | - | - |
| Safety | Multiple Water Protection | Multiple Water Protection | Multiple Water Protection |
| PROGRAMMES / FUNCTIONS | | | |
| Eco 40-60 | ● | ● | ● |
| Cottons | ● | ● | ● |
| Super Quick 15/30 | ● | ● | ● |
| Hygiene Plus | ● | ● | ● |
| Easy-care | ● | ● | ● |
| Mixed Load | ● | ● | ● |
| Wool | ● | ● | ● |
| Delicates/Silk | ● | ● | ● |
| Sportswear/ Dark Wash/ Easy Care plus/ Jeans/ Shirts and blouses | ●/●/●/● | - | ●/●/●/● |
| Duvet/ Down wear | ●/● | - | - |
| Towels | - | - | - |
| Curtains | - | - | - |
| Auto programme | - | - | - |
| Memory programme | - | - | - |
| Drum Clean | ● | - | - |
| Extra Rinse | ● | - | - |
| Pre Wash | ● | ● | ● |
| Rinse/Spin | - | - | - |
| Rinse hold | ● | - | - |
| Spin/Drain | ● | ● | ● |
| Single Rinse | ● | ● | ● |
| Soak | - | - | - |
| Variable Temperature/Variable Spin | ● | ● | ● |
| PERFORMANCE / TECHNICAL INFORMATION | | | |
| Energy efficiency class ¹ | C | C | B |
| Load capacity (kg) | 1-8 | 1-8 | 1-7 |
| Energy ² / Water ³ (kWh / litres) | 62 / 47 | 62 / 47 | 51 / 45 |
| Programme duration ⁴ (h:mm) | 3:26 | 3:26 | 3:28 |
| Maximum spin speed (rpm) ⁵ | 1400 | 1400 | 1400 |
| Spin efficiency class | B | B | B |
| Noise level (dB(A) re 1 pW) | 75 | 75 | 75 |
| Noise emission class | B | B | B |
| Dimensions of the product (H x W x D) (inc. door porthole) (mm) | 848 x 598 x 550 (600) | 848 x 598 x 550 (600) | 848 x 598 x 546 (584) |
| Door opening angle | 180° | 140° | 140° |

● = Yes - = No
¹ On an energy efficiency class scale from A to G ² Energy consumption in kWh/100 operating cycles (using Eco 40-60 programme)
³ Water consumption in litres/operating cycle (using Eco 40-60 programme) ⁴ Duration of Eco 40-60 programme
⁵ The specified value is rounded. **Data valid in this table as of April 2023.** Subject to modification without prior notice.

Washer dryers



| TYPE | WASHER DRYER | WASHER DRYER | WASHER DRYER | WASHER DRYER |
|--|-----------------------|-----------------------|-----------------------|-----------------------|
| DESIGN FAMILY | SERIES 8 | SERIES 8 | SERIES 4 | SERIES 4 |
| MODEL | WDU8H549GB | WDU8H541GB | WNA144V9GB | WNA134U8GB |
| KEY FEATURES | SILVER INOX | WHITE | WHITE | WHITE |
| Home Connect | ● | ● | - | - |
| Eco Silence Drive | ● | ● | ● | ● |
| Speed Perfect | ● | ● | ● | ● |
| Reload facility | ● | ● | ● | ● |
| Auto Dry function | ● | ● | ● | ● |
| Self cleaning condenser | ● | ● | ● | ● |
| ADDITIONAL FEATURES | | | | |
| Time delay / Time Remaining | ● | ● | ● | ● |
| Child safety lock | ● | ● | ● | ● |
| Water protection system | Aqua Stop | Aqua Stop | Aqua Secure | Aqua Secure |
| PROGRAMMES | | | | |
| Iron Assist | ● | ● | ● | ● |
| Hygiene | ● (via App) | ● (via App) | - | - |
| Hygiene Plus | - | - | - | - |
| Super Quick 15 | ● | ● | ● | ● |
| Wash & Dry 60 mins | ● | ● | ● | ● |
| Cottons | ● | ● | ● | ● |
| Easy-care programme | ● | ● | ● | ● |
| Wool programme | ● | ● | ● | ● |
| Delicates/ Silk | ● | ● | ● | ● |
| Sportswear | ● | ● | ● | ● |
| Mixed Load | ● | ● | ● | ● |
| Towels | ● (via App) | ● (via App) | - | - |
| Shirts | ● (via App) | ● (via App) | - | - |
| Down | ● (via App) | ● (via App) | - | - |
| Intensive Dry | - | - | ● | ● |
| Gentle Dry | - | - | ● | ● |
| My Time Wash | ● | ● | - | - |
| My Time Dry | ● | ● | ● | ● |
| Rinse | ● | ● | ● | ● |
| Spin/ Drain | ● | ● | ● | ● |
| Memory | ● | ● | - | - |
| Drum Clean | ● | ● | - | - |
| Reduced noise wash /dry | ● | ● | - | - |
| Reduced ironing | ● | ● | ● | ● |
| HygieneCare | ● | ● | - | - |
| Aqua Plus/ Rinse Plus | ● | ● | - | - |
| Pre wash | ● | ● | ● | ● |
| Variable Temperature/ Spin | ● | ● | ● | ● |
| PERFORMANCE / TECHNICAL INFORMATION | | | | |
| Energy efficiency class washing and drying ¹ | | | | |
| Energy efficiency class washing ² | | | | |
| Energy ³ / Water ⁴ washing and drying (kWh / litres) | 307 / 74 | 307 / 74 | 322 / 74 | 313 / 70 |
| Energy ³ / Water ⁴ washing (kWh / litres) | 49 / 50 | 49 / 50 | 57 / 46 | 63 / 41 |
| Load capacity washing and drying / washing (kg) | 1-6 / 1-10 | 1-6 / 1-10 | 1-5 / 1-9 | 1-5 / 1-8 |
| Programme duration ⁵ washing and drying / washing (h:mm) | 8:00 / 3:55 | 8:00 / 3:55 | 7:30 / 3:44 | 7:30 / 3:32 |
| Spin efficiency class | B | B | B | B |
| Spin speed ⁶ (rpm) | 1400 | 1400 | 1400 | 1400 |
| Noise level (dB(A) re 1 pW) | 70 | 70 | 70 | 70 |
| Noise emission class | A | A | A | A |
| Dimensions of the product (H x W x D) (inc. door porthole) (mm) | 848 x 598 x 616 (654) | 848 x 598 x 616 (654) | 848 x 598 x 590 (649) | 848 x 598 x 590 (649) |
| Door opening angle | 125° | 125° | 165° | 165° |

● = Yes - = No
^{1,2} On an energy-efficiency class scale from A to G ³ Energy consumption in kWh/100 complete operating cycles (using Eco 40-60 programme)
⁴ Water consumption in litres/complete operating cycle (using Eco 40-60 programme) ⁵ Energy consumption in kWh/100 wash cycles (using Eco 40-60 programme)
⁶ Water consumption in litres/wash cycle (using Eco 40-60 programme) ⁷ Duration of Eco 40-60 programme, complete operating cycle / wash cycle
⁸ The specified value is rounded. **Data valid in this table as of April 2023.** Subject to modification without prior notice.

For full specification details, please log onto our website and download a full specification sheet.

Explore more at [bosch-home.ie](https://www.bosch-home.ie)

Tumble dryers



Available August 2023

| TYPE | DRYER | DRYER | DRYER |
|--|-----------------------|-----------------------|-----------------------|
| DESIGN FAMILY | SERIES 8 | SERIES 6 | SERIES 6 |
| MODEL | WQB246C9GB | WQG245R9GB | WQG245S9GB |
| KEY FEATURES | WHITE | GRAPHITE | SILVER INOX |
| Heat Pump | ● | ● | ● |
| Home Connect | ● | - | - |
| Smart Dry | ● | - | - |
| Iron Assist | ● | - | - |
| Auto Clean | - | - | - |
| Self Cleaning Condenser | ● | ● | ● |
| Easy Clean filter | - | - | - |
| ADDITIONAL FEATURES | | | |
| Auto Dry | ● | ● | ● |
| Time delay / Time Remaining | ● | ● | ● |
| Drum interior light | ● | ● | ● |
| Water container full / blocked filter warning indicator | ● | ● | ● |
| Child lock | ● | ● | ● |
| PROGRAMMES/FUNCTIONS | | | |
| Cottons | ● | ● | ● |
| Easy-care | ● | ● | ● |
| Woollen Finish | ● (via App) | ● | ● |
| SuperQuick 40 | ● (via App) | ● | ● |
| Timed programmes | ● | ● | ● |
| Mixed Load | ● | ● | ● |
| Sportswear | ● | ● | ● |
| Towels | ● | ● | ● |
| Delicates | ● | ● | ● |
| Down Wear | - | ● | ● |
| Shirts and blouses | ● | ● | ● |
| Hygiene Plus | ● | ● | ● |
| Wool / Trainer basket | - | - | - |
| Memory / My Favourite | ● | - | - |
| Shirts 15 | ● | - | - |
| End of cycle indicator | ● | ● | ● |
| Low Heat option | ● | ● | ● |
| Crease Guard | ● | ● | ● |
| PERFORMANCE / TECHNICAL INFORMATION | | | |
| Energy efficiency class | A+++ | A++ | A++ |
| Capacity cotton (kg) | 9 | 9 | 9 |
| Energy consumption annual (kWh/annum) | TBC | 258 | 258 |
| Condensation efficiency class | B | B | B |
| Condensation efficiency for standard cotton programme on full and partial load | TBC | 86% | 86% |
| Ambient temperature range | 5-35°C | 5-35°C | 5-35°C |
| Noise level (dB(A) re 1pW) | 59 | 64 | 64 |
| Dimensions of the product (inc. door) (cm) | 842 x 598 x 613 (652) | 842 x 598 x 613 (648) | 842 x 598 x 613 (648) |
| Door opening angle | 180° | 170° | 180° |
| Door hinge position | Right-hand | Right-hand | Right-hand |
| Plumbing out possible? | Yes | Yes | Yes |
| Draining kit included? | Yes | Yes | Yes |

● = Yes - = No
 The programme cotton cupboard dry used at full and partial loads is the standard drying programme to which the information on the energy label refers.
 This is the most efficient programme in terms of energy consumption for cotton. Annual consumption is based on 160 drying cycles.
Data valid in this table as of April 2023. Subject to modification without prior notice.

5 Year Warranty - Offer dates 01.04.23 - 31.03.24. T&C's apply. Online registration required. Selected models only.
 For full specification details, please log onto our website and download a full specification sheet.

Making **life easy** through innovative technologies



Available August 2023

Available August 2023

| TYPE | DRYER | DRYER | DRYER | DRYER |
|--|-----------------------|-----------------------|-----------------------|-----------------------|
| DESIGN FAMILY | SERIES 6 | SERIES 6 | SERIES 6 | SERIES 4 |
| MODEL | WQG24509GB | WQG233D8GB | WPG23108GB | WTH85223GB |
| KEY FEATURES | | | | |
| Heat Pump | ● | ● | - | ● |
| Home Connect | - | - | - | - |
| Smart Dry | - | - | - | - |
| Iron Assist | - | - | - | - |
| Auto Clean | - | - | - | - |
| Self Cleaning Condenser | ● | - | - | - |
| Easy Clean filter | - | ● | ● | ● |
| ADDITIONAL FEATURES | | | | |
| Auto Dry | ● | ● | ● | ● |
| Time delay / Time Remaining | ● | ● | ● | ● |
| Drum interior light | ● | ● | ● | - |
| Water container full / blocked filter warning indicator | ● | ● | ● | ● |
| Child lock | ● | ● | ● | ● |
| PROGRAMMES/FUNCTIONS | | | | |
| Cottons | ● | ● | ● | ● |
| Hygiene Plus | ● | ● | ● | - |
| Easy-care | ● | ● | ● | ● |
| Woollen Finish | ● | ● | ● | ● |
| Super Quick 40 | ● | ● | ● | ● |
| Timed programmes | ● | ● | ● | ● |
| Mixed Load | ● | ● | ● | ● |
| Sportswear | ● | ● | ● | ● |
| Towels | ● | ● | ● | ● |
| Delicates | ● | ● | ● | - |
| Down Wear | ● | ● | ● | ● |
| Shirts and blouses | ● | ● | - | ● |
| Wool / Trainer basket | - | - | - | - |
| Memory / My Favourite | - | - | - | - |
| Shirts 15 | - | - | ● | - |
| End of cycle indicator | ● | ● | ● | ● |
| Low Heat option | ● | ● | ● | ● |
| Crease Guard | ● | ● | ● | ● |
| PERFORMANCE / TECHNICAL INFORMATION | | | | |
| Energy efficiency class | A++ | A+++ | B | A++ |
| Capacity cotton (kg) | 9 | 8 | 8 | 8 |
| Energy consumption annual (kWh/annum) | 258 | 176 | 560 | 236 |
| Condensation efficiency class | B | A | B | B |
| Condensation efficiency for standard cotton programme on full and partial load | 86% | 91% | 88% | 81% |
| Ambient temperature range | 5-35°C | 5-35°C | 5-35°C | 5-35°C |
| Noise level (dB(A) re 1pW) | 64 | 64 | 64 | 65 |
| Dimensions of the product (inc. door) (cm) | 842 x 598 x 613 (648) | 842 x 598 x 613 (648) | 842 x 598 x 613 (648) | 842 x 598 x 613 (665) |
| Door opening angle | 180° | 180° | 175° | 170° |
| Door hinge position | Right-hand | Right-hand | Right-hand | Right-hand |
| Plumbing out possible? | Yes | Yes | Yes | Yes |
| Draining kit included? | Yes | Yes | Yes | Yes |

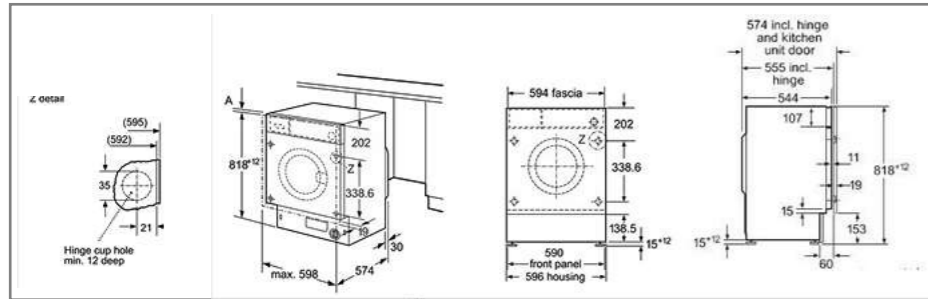
● = Yes - = No
 The programme cotton cupboard dry used at full and partial loads is the standard drying programme to which the information on the energy label refers.
 This is the most efficient programme in terms of energy consumption for cotton. Annual consumption is based on 160 drying cycles.
Data valid in this table as of April 2023. Subject to modification without prior notice.

| TYPE | DRYER | DRYER | DRYER |
|--|-----------------------|-----------------------|-----------------------|
| DESIGN FAMILY | SERIES 4 | SERIES 4 | SERIES 4 |
| MODEL | WTH84001GB | WTN83203GB | WTN83202GB |
| KEY FEATURES | | | |
| Heat Pump | ● | - | - |
| Home Connect | - | - | - |
| Smart Dry | - | - | - |
| Iron Assist | - | - | - |
| Auto Clean | - | - | - |
| Self Cleaning Condenser | - | - | - |
| Easy Clean filter | ● | ● | ● |
| ADDITIONAL FEATURES | | | |
| Auto Dry | ● | ● | ● |
| Time delay / Time Remaining | ● | ● | ● |
| Drum interior light | - | - | - |
| Water container full / blocked filter warning indicator | ● | ● | ● |
| Child lock | ● | ● | ● |
| PROGRAMMES/FUNCTIONS | | | |
| Cottons | ● | ● | ● |
| Hygiene Plus | - | - | ● |
| Easy-care | ● | ● | ● |
| Woollen Finish | - | - | - |
| SuperQuick 40 | ● | ● | ● |
| Timed programmes | ● | ● | ● |
| Mixed Load | ● | ● | ● |
| Sportswear | ● | ● | ● |
| Towels | ● | - | - |
| Delicates | ● | - | - |
| Down Wear | - | - | - |
| Shirts and blouses | ● | ● | ● |
| Wool / Trainer basket | - | - | - |
| Memory / My Favourite | - | - | - |
| Shirts 15 | - | ● | ● |
| End of cycle indicator | ● | ● | ● |
| Low Heat option | ● | - | - |
| Crease Guard | ● | ● | ● |
| PERFORMANCE / TECHNICAL INFORMATION | | | |
| Energy efficiency class | A+ | B | B |
| Capacity cotton (kg) | 8 | 8 | 8 |
| Energy consumption annual (kWh/annum) | 270 | 270 | 560 |
| Condensation efficiency class | B | B | B |
| Condensation efficiency for standard cotton programme on full and partial load | 81% | 81% | 88% |
| Ambient temperature range | 5-35°C | 5-35°C | 5-35°C |
| Noise level (dB(A) re 1pW) | 65 | 65 | 65 |
| Dimensions of the product (inc. door) (cm) | 842 x 598 x 613 (665) | 842 x 598 x 613 (665) | 842 x 598 x 599 (651) |
| Door opening angle | 170° | 175° | 175° |
| Door hinge position | Right-hand | Right-hand | Right-hand |
| Plumbing out possible? | Yes | Yes | Yes |
| Draining kit included? | Yes | Yes | Yes |

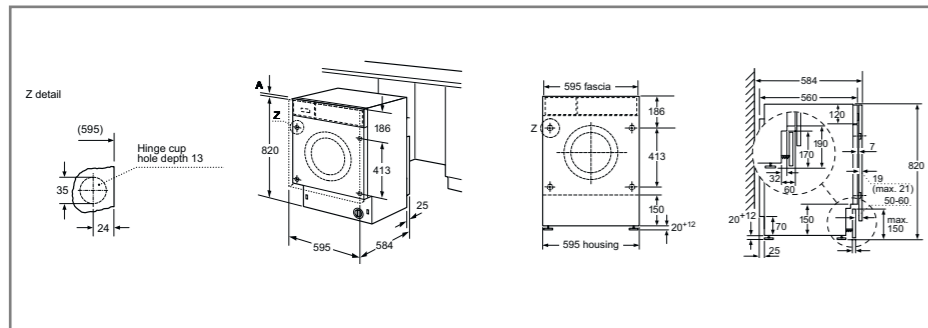
● = Yes - = No
 The programme cotton cupboard dry used at full and partial loads is the standard drying programme to which the information on the energy label refers.
 This is the most efficient programme in terms of energy consumption for cotton. Annual consumption is based on 160 drying cycles.
Data valid in this table as of April 2023. Subject to modification without prior notice.

Built-in home laundry technical diagrams

Washing machines and washer dryers





WIW28502GB, WIW28302GB



WKD28543GB, WKD28352GB

Built-in home laundry accessories




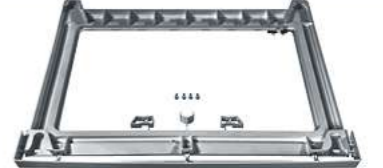








| Description | Accessory Nr. | WIW28501GB | WIW28301GB | WKD28542GB | WKD28352GB |
|---|---------------|------------|------------|------------|------------|
|  Extension for cold water inlet/AquaStop | WMZ2380 | - | - | • | • |
|  Height adjustable feet | WMZ20441 | • | • | - | - |

Freestanding stacking kit compatibility

| DESCRIPTION | Accessory Nr. | WQB246C9GB | WQG245R9GB | WQG245S9GB | WQG245O9GB | WQG233D8GB |
|---|---------------|------------|------------|------------|------------|------------|
| Stacking kit | WTZ20410 | - | - | - | • | - |
| Stacking kit with pull-out shelf | WTZ11400 | - | - | - | • | - |
| Stacking kit | WTZ27410 | - | - | - | • | • |
| Stacking kit with pull-out shelf | WTZ27400 | - | - | - | • | • |
| Condenser drainage kit | WTZ1110 | - | - | - | - | - |
| Floor securing component | WMZ2200 | - | - | - | - | - |
| Extension for cold water inlet/AquaStop | WMZ2381 | - | - | - | - | - |
| Built under cover | WMZ2420 | - | - | - | - | - |
| Stacking kit | WTZ2741X | - | • | - | - | - |
| Stacking kit with pull-out shelf | WTZ2742X | - | • | - | - | - |
| Stacking kit | WTZ27510 | • | - | - | - | - |
| Stacking kit with pull-out shelf | WTZ27500 | • | - | - | - | - |
| Stacking kit | WTZ2741C | - | • | - | - | - |

| DESCRIPTION | Accessory Nr. | WPG23108GB | WTH85223GB | WTH83203GB | WTH84001GB | WTH83202GB |
|---|---------------|------------|------------|------------|------------|------------|
| Stacking kit | WTZ20410 | • | • | • | • | • |
| Stacking kit with pull-out shelf | WTZ11400 | • | • | • | • | • |
| Stacking kit | WTZ27410 | - | - | - | - | - |
| Stacking kit with pull-out shelf | WTZ27400 | - | - | - | - | - |
| Condenser drainage kit | WTZ1110 | - | - | - | - | - |
| Floor securing component | WMZ2200 | - | - | - | - | - |
| Extension for cold water inlet/AquaStop | WMZ2381 | - | - | - | - | - |
| Built under cover | WMZ2420 | - | - | - | - | - |
| Stacking kit | WTZ2741X | - | - | - | - | - |
| Stacking kit with pull-out shelf | WTZ2742X | - | - | - | - | - |
| Stacking kit | WTZ27510 | - | - | - | - | - |
| Stacking kit with pull-out shelf | WTZ27500 | - | - | - | - | - |
| Stacking kit | WTZ2741C | - | - | - | - | - |

Freestanding accessories

| LAUNDRY ACCESSORIES | | LAUNDRY ACCESSORIES | |
|--|---|----------------------------------|---|
| Stacking kit |  | Built under cover |  |
| Model | WTZ20410 | Model | WMZ2420 |
| Stacking kit (pull-out shelf) |  | Stacking kit |  |
| Model | WTZ11400 | Model | WTZ2741X |
| Stacking kit |  | Stacking kit with pull-out shelf |  |
| Model | WTZ27410 | Model | WTZ2742X |
| Stacking kit (pull-out shelf) |  | Stacking kit |  |
| Model | WTZ27400 | Model | WTZ27510 |
| Condenser drainage kit |  | Stacking kit with pull-out shelf | TBC |
| Model | WTZ1110 | Model | WTZ27500 |
| Floor securing component |  | Stacking kit |  |
| Model | WMZ2200 | Model | WTZ2741C |
| Extension for cold water inlet/ AquaStop |  | | |
| Model | WMZ2381 | | |

Available sizes:



60cm



45cm



Compact

TO FIND OUT MORE ABOUT OUR FREESTANDING DISHWASHER RANGE, PLEASE SCAN THE QR CODE BELOW:

Available sizes:



60cm



45cm

TO FIND OUT MORE ABOUT OUR BUILT-IN DISHWASHER RANGE, PLEASE SCAN THE QR CODE:

Vario Hinge.

The innovative Vario Hinge system is the optimal solution for challenging built-in dishwashers. In kitchens with a low plinth (<90mm) and extra long furniture fronts, the door and appliances might collide into each other. With Vario Hinge, the furniture front slides up so the door opens perfectly without collision. This ensures perfect design of a fully integrated kitchen. Vario Hinge is available in Series 4, in 81.5cm height.



Different types of control.

Series 8



TFT Display with top edge touch control

Series 6



LED Display with top edge button control



LED Display with touch control

Series 4



LED Display with button control

Series 2



LED Display with toggle control

Different types of control.



Grey touch control with LCD display



Grey touch control with LED display



Stainless steel push button control with LED display



Black toggle control with LED display

Dishwasher functions explained.

Check model for available functions.



Extra Dry

Want your dishes extra dry? No problem. This function gives you even more drying power when you need it. Just choose the Extra Dry option and more heat will be created to extend your load's drying cycle.



PerfectDry

PerfectDry uses Zeolith® technology that's applied to every cycle, which uses minerals that heat up when they come in contact with water. This clever function dries everything to perfection – from plates and pans to all plastic items.



Efficient Dry

Efficient Dry automatically opens your dishwasher door, offering better drying results compared to a closed door (after 30 minutes). Select this feature via the Home Connect app, available on all programmes except pre-rinse and machine care.



SpeedPerfect+

Our SpeedPerfect+ option reduces programme times without compromising on quality. So you still get hygienically clean and dry dishes but the duration of the cycle* could be reduced by up to half the time – ideal for busy households and entertaining.

*Except: Prewash, Express 45° and Express 65° programme.



Place Settings

A selection of our dishwashers will hold up to 14 place settings in one load – perfect for larger households.



Self-cleaning filters

Self-cleaning filter system, with spray arms designed to direct water at the filters on every rotation.

Please note, self-cleaning filters are designed to keep filters clear during the washing cycle. Regular filter cleaning and maintenance is still recommended.



Dosage Assist

Get the most out of your detergent with Dosage Assist; a small area at the front of the top basket that catches the tablet when it's released during the cycle. It controls how the tablet is dissolved for optimum performance.



Duo Power

Our 45cm models feature a twin spray arm in the top basket to ensure perfect water coverage every time.



Active Water

Save water with every load and only use the right amount of water needed for each load.



Time Light

Bosch dishwashers are so quiet sometimes it's hard to tell whether they are on or off, especially on fully-integrated models where there is no visible control panel. The Time Light indicates the programme status and time remaining onto any floor surface.



Info Light

Coloured light beam projects onto the floor when the machine cycle is started, and turns off when finished.



Emotion Light

Lights up the dishwasher cavity with 2 white LED lights.



Door Open Assist

With Open Assist you can open fully integrated dishwashers by simply touching the front of the unit. This partially opens the door, making it easy to load and unload the dishwasher. The handle-free dishwasher door is the optimal choice for modern design kitchens with matching-style unit fronts. Activate the electronic child lock for the door to make this a double push to open.

Machine care.

Your dishwasher will help look after itself with this smart function. Optimising the water and energy consumption, it works on a short run time of 80-90 minutes at high temperatures. It eliminates lime and grease deposits inside the dishwasher and works with a standard machine-care detergent. On selected Series 8 and Series 6 models, it will even remind you to run the programme every 30 cycles.

Whisper quiet washing.

Bosch dishwashers are amongst the quietest in the world. With the revolutionary **Eco Silence Drive™** there are dishwashers in the range which operate as low as 40 decibels, when the Silence programme is selected.

10 year anti-rust warranty.

Our appliances are made from top quality materials and in addition to our standard appliance warranty, we provide a free of charge warranty against rusting-through of the dishwasher's inner cavity.



This model is phasing out in September and the replacement model will be SMD6YCX01G.

| FULLY INTEGRATED 60CM | | | | | |
|---|---|---|---|---|---|
| TYPE | SERIES 8 | SERIES 6 | SERIES 6 | SERIES 6 | SERIES 6 |
| DESIGN FAMILY | SERIES 8 | SERIES 6 | SERIES 6 | SERIES 6 | SERIES 6 |
| MODEL NUMBER | SMD8YCX02G | SMD6TCX00G | SMD6ZCX60G | SMD6EDX57G | SMV6ZCX01G |
| Control panel colour | Grey | Stainless steel | Grey | Grey | Stainless steel |
| Height (cm) / Hinge type | 81.5 / Fixed | 81.5 / Fixed | 81.5 / Fixed | 81.5 / Fixed | 81.5 / Fixed |
| DESIGN FEATURES | | | | | |
| Drying system | PerfectDry Zeolith / Efficient Dry | PerfectDry Zeolith ¹ / Efficient Dry | PerfectDry Zeolith ¹ | Heat exchanger / Efficient Dry | PerfectDry Zeolith ¹ |
| Home Connect | ● | ● | ● | ● | ● |
| Control panel type | Touch control + TFT | Push buttons + LED | Touch control + LED | Touch control + LED | Push buttons + LED |
| Basket description | Max Flex Pro | Flex | Max Flex | Max Flex | Flex |
| Vario Drawer / Extra Space 3rd Basket (3rd loading level) | Vario Drawer | Vario Drawer | Vario Drawer | Extra Space 3rd Basket | Vario Drawer |
| Extra Clean Zone | ● | - | ● | ● | - |
| Status indicator | Time Light (White) | Time Light (White) | Time Light (White) | Time Light (White) | Time Light (White) |
| Door open assist | ● | ● | ● | ● | ● |
| Glass care technology | ● | ● | ● | ● | ● |
| Anti-slip protection and stemware support upper basket | ● | ● | ● | ● | ● |
| Adjustable upper basket | 3-stage Rackmatic™ | 3-stage Rackmatic™ | 3-stage Rackmatic™ | 2-stage Rackmatic™ | 3-stage Rackmatic™ |
| Number of flip lines in upper / lower basket | 6 / 8 | 2 / 2 | 2 / 6 | 2 / 6 | 2 / 2 |
| Cup shelves upper / lower baskets | 2 / 2 | 2 / 2 | 2 / 2 | 2 / 2 | 2 / 2 |
| Cutlery holder lower basket | - | - | - | ● | - |
| Largest loadable dish upper / lower basket (cm) | 21 / 31 | 21 / 31 | 21 / 31 | 21 / 27.5 | 21 / 31 |
| Load / Aqua sensor | ● | ● | ● | ● | ● |
| Real-time clock | ● | - | ● | - | - |
| Start delay time max hours | 24 | 24 | 24 | 24 | 24 |
| Emotion light (interior lighting) | ● | - | - | - | - |
| End of cycle indicator | Acoustic | Acoustic | Acoustic | Acoustic | Acoustic |
| Salt / Rinse aid light indicator | ●/● | ●/● | ●/● | ●/● | ●/● |
| Self-cleaning filter system | ● | ● | ● | ● | ● |
| Flood protection system | Aqua Stop 24h | Aqua Stop 24h | Aqua Stop 24h | Aqua Stop 24h | Aqua Stop 24h |
| Safety features | Door lock | Door lock | Door lock | Door lock | Door lock |
| PROGRAMMES / FUNCTIONS | | | | | |
| List of programmes | Eco 50°C, Intensive 70°C, Auto 45-65°C, Intelligent 40°C, Express 60°C, Glass 40°C, Silence 50°C, Favourite, Machine Care | Eco 50°C, Intensive 70°C, Auto 45-65°C, Express 60°C, Silence 50°C, Favourite, Machine Care | Eco 50°C, Intensive 70°C, Auto 45-65°C, Express 60°C, Glass 40°C, Silence 50°C, Favourite, Machine Care | Eco 50°C, Intensive 70°C, Glass 40°C, Auto 45-65°C, Express 65°C, Silence 50°C, Favourite, Machine Care | Eco 50°C, Intensive 70°C, Express 60°C, Auto 45-65°C, Silence 50°C, Favourite, Machine Care |
| Additional special options | Remote Start, Extra Dry, Intensive Zone, Hygiene+, SpeedPerfect+ | Remote Start, Extra Dry, Half Load, SpeedPerfect+ | Remote Start, Extra Dry, Intensive Zone, SpeedPerfect+ | Remote Start, Extra Dry, Intensive Zone, SpeedPerfect+ | Remote Start, Extra Dry, Half Load, SpeedPerfect+ |
| TECHNICAL SPECIFICATIONS | | | | | |
| Reference programme for measurements | Eco 50°C | Eco 50°C | Eco 50°C | Eco 50°C | Eco 50°C |
| Energy efficiency class ¹ | A B | A A | A C | A D | A C |
| Energy ² / water ³ : kWh / litres | 65 / 9.5 | 54 / 9.5 | 74 / 7.7 | 84 / 9.5 | 75 / 9.5 |
| Load capacity (place settings) | 14 | 14 | 13 | 13 | 14 |
| Programme duration ⁴ : h:min | 3:55 | 4:55 | 3:45 | 4:35 | 3:55 |
| Noise level: dB (A) re 1 pW | 43 | 44 | 44 | 42 | 44 |
| Noise efficiency class | B | B | B | B | B |
| Noise level (silence programme): dB (A) re 1 pW | 41 | 42 | 42 | 39 | 42 |
| Length of electrical supply cord (cm) | 175 | 175 | 175 | 175 | 175 |
| Length inlet / outlet hose (cm) | 165 / 190 | 165 / 190 | 165 / 190 | 150 / 190 | 165 / 190 |
| Maximum height for installation (mm) | 875 | 875 | 875 | 875 | 875 |
| Maximum height adjustability feet (mm) | 60 | 60 | 60 | 60 | 60 |
| Maximum width for installation (mm) | 600 | 600 | 600 | 600 | 600 |
| Width / Depth of the product (mm) | 598 / 550 | 598 / 550 | 598 / 550 | 598 / 550 | 598 / 550 |
| Net weight / Gross weight (kg) | 45 / 47 | 43 / 45 | 43 / 45 | 44 / 46 | 46 / 48 |
| Water softener ⁵ | ● | ● | ● | ● | ● |
| Maximum accepted water hardness (°DH) | 50 | 50 | 50 | 50 | 50 |
| Maximum temperature for water intake (°C) | 60 | 60 | 60 | 60 | 60 |
| Interior cavity | Stainless steel | Stainless steel | Stainless steel | Stainless steel | Stainless steel |
| Included accessories | Large item spray head, steam protection plate | Steam protection plate | Large item spray head, steam protection plate | Large item spray head, steam protection plate | Large item spray head, steam protection plate |

● = Yes - = No
¹ On an energy-efficiency class scale from A to G ² Energy consumption in kWh/100 operating cycles (using Eco programme) ³ Water consumption in litres/operating cycle (using Eco programme) ⁴ Duration of Eco programme
⁵ We would recommend our dishwashers are connected to the mains water supply where possible. However, they may also be connected to an external water softener as long as the water softener produces softened water of less than 1.1 mmol/litre (7.0°e) and the water softener in the appliance is turned off. Please contact product advice for further information. Water pressure required: 0.5-10 Bar. Flow rate: 10 litres per minute. Inlet valve connected directly to ¾" screwed joint. **Data valid in this table as of April 2023.** Subject to modification without prior notice.

5 year warranty - Offer dates 01.04.23 - 31.03.24. T&C's apply. Online registration required. Selected models only. For full specification details, please log onto our website and download a full specification sheet.

Explore more at [bosch-home.ie](https://www.bosch-home.ie)



| FULLY INTEGRATED 60CM | | | | |
|---|---|---|---|---|
| TYPE | SERIES 4 | SERIES 4 | SERIES 4 | SERIES 4 |
| DESIGN FAMILY | SERIES 4 | SERIES 4 | SERIES 4 | SERIES 4 |
| MODEL NUMBER | SMV4HCX40G | SMV4HAX40G | SBH4HVX31G | SMH4HVX32G |
| Control panel colour | Stainless steel | Stainless steel | Stainless steel | Stainless steel |
| Height (cm) / Hinge type | 81.5 / Fixed | 81.5 / Fixed | 86.5 / Vario Hinge | 81.5 / Vario Hinge |
| DESIGN FEATURES | | | | |
| Drying system | Heat exchanger | Heat exchanger | Heat exchanger | Heat exchanger |
| Home Connect | ● | ● | ● | ● |
| Control panel type | Push buttons + LED | Push buttons + LED | Push buttons + LED | Push buttons + LED |
| Basket description | Flex | Flex | Vario Flex | Vario Flex |
| Vario Drawer / Extra Space 3rd Basket (3rd loading level) | Vario Drawer | - | Vario Drawer | Vario Drawer |
| Extra Clean Zone | - | - | - | - |
| Status indicator | Info Light (Red) | Info Light (Red) | Info Light (Red) | Info Light (Red) |
| Door open assist | - | - | - | - |
| Glass care technology | ● | ● | ● | ● |
| Anti-slip protection and stemware support upper basket | ● | ● | ● | ● |
| Adjustable upper basket | 3-stage Rackmatic™ | 3-stage Rackmatic™ | 3-stage Rackmatic™ | 3-stage Rackmatic™ |
| Number of flip lines in upper / lower basket | 2 / 2 | 2 / 2 | 2 / 4 | 2 / 4 |
| Cup shelves upper / lower baskets | 2 / 2 | 2 / - | 2 / - | 2 / - |
| Cutlery holder lower basket | - | ● | - | - |
| Largest loadable dish upper / lower basket (cm) | 21 / 31 | 27 / 31 | 23 / 24 | 21 / 31 |
| Load / Aqua sensor | ● | ● | ● | ● |
| Real-time clock | - | - | - | - |
| Start delay time max hours | 24 | 24 | 24 | 24 |
| Emotion light (interior lighting) | - | - | - | - |
| End of cycle indicator | Acoustic | Acoustic | Acoustic | Acoustic |
| Salt / Rinse aid light indicator | ●/● | ●/● | ●/● | ●/● |
| Self-cleaning filter system | ● | ● | ● | ● |
| Flood protection system | Aqua Stop 24h | Aqua Stop 24h | Aqua Stop 24h | Aqua Stop 24h |
| Safety features | Door lock | Door lock | Door lock | Door lock |
| PROGRAMMES / FUNCTIONS | | | | |
| List of programmes | Eco 50°C, Intensive 70°C, Auto 45-65°C, Express 65°C, Silence 50°C, Favourite, Machine Care | Eco 50°C, Intensive 70°C, Auto 45-65°C, Express 65°C, Silence 50°C, Favourite, Machine Care | Eco 50°C, Intensive 70°C, Auto 45-65°C, Express 65°C, Silence 50°C, Favourite, Machine Care | Eco 50°C, Intensive 70°C, Auto 45-65°C, Express 65°C, Glass 40°C, Favourite, Machine Care |
| Additional special options | Remote Start, Extra Dry, Half Load, SpeedPerfect+ | Remote Start, Extra Dry, Half Load, SpeedPerfect+ | Remote Start, Extra Dry, Half Load, SpeedPerfect+ | Remote Start, Extra Dry, Hygiene+, SpeedPerfect+ |
| TECHNICAL SPECIFICATIONS | | | | |
| Reference programme for measurements | Eco 50°C | Eco 50°C | Eco 50°C | Eco 50°C |
| Energy efficiency class ¹ | A D | A D | A E | A E |
| Energy ² / water ³ : kWh / litres | 85 / 9.5 | 84 / 9.5 | 94 / 9.5 | 94 / 9.5 |
| Load capacity (place settings) | 14 | 13 | 13 | 13 |
| Programme duration ⁴ : h:min | 4:55 | 4:55 | 3:45 | 3:45 |
| Noise level: dB (A) re 1 pW | 46 | 46 | 46 | 46 |
| Noise efficiency class | C | C | C | C |
| Noise level (silence programme): dB (A) re 1 pW | 43 | 42 | 44 | - |
| Length of electrical supply cord (cm) | 175 | 175 | 175 | 175 |
| Length inlet / outlet hose (cm) | 165 / 190 | 165 / 190 | 165 / 190 | 165 / 190 |
| Maximum height for installation (mm) | 875 | 875 | 925 | 875 |
| Maximum height adjustability feet (mm) | 60 | 60 | 60 | 60 |
| Maximum width for installation (mm) | 600 | 600 | 600 | 600 |
| Width / Depth of the product (mm) | 598 / 550 | 598 / 550 | 598 / 550 | 598 / 550 |
| Net weight / Gross weight (kg) | 35 / 37 | 34 / 36 | 36 / 38 | 37 / 39 |
| Water softener ⁵ | ● | ● | ● | ● |
| Maximum accepted water hardness (°DH) | 50 | 50 | 50 | 50 |
| Maximum temperature for water intake (°C) | 60 | 60 | 60 | 60 |
| Interior cavity | Stainless steel | Stainless steel | Stainless steel / Polinox base | Stainless steel / Polinox base |
| Included accessories | Large item spray head, Steam protection plate | Large item spray head, Steam protection plate | Large item spray head, Steam protection plate | Large item spray head, Steam protection plate |

● = Yes - = No
¹ On an energy-efficiency class scale from A to G ² Energy consumption in kWh/100 operating cycles (using Eco programme) ³ Water consumption in litres/operating cycle (using Eco programme) ⁴ Duration of Eco programme
⁵ We would recommend our dishwashers are connected to the mains water supply where possible. However, they may also be connected to an external water softener as long as the water softener produces softened water of less than 1.1 mmol/litre (7.0°e) and the water softener in the appliance is turned off. Please contact product advice for further information. Water pressure required: 0.5-10 Bar. Flow rate: 10 litres per minute. Inlet valve connected directly to ¾" screwed joint. **Data valid in this table as of April 2023.** Subject to modification without prior notice.

For full specification details, please log onto our website and download a full specification sheet.

Making **life easy** through innovative technologies

60cm dishwashers



| TYPE | FULLY INTEGRATED 60CM | FULLY INTEGRATED 60CM | SEMI INTEGRATED 60CM | SEMI INTEGRATED 60CM |
|---|---|---|---|---|
| DESIGN FAMILY | SERIES 4 | | SERIES 2 | |
| MODEL NUMBER | SMV4HTX27G | SMV2ITX18G | SMI2ITS33G | SMI2ITB33G |
| Control panel | Stainless steel | Black | Black | Black |
| Height (cm) / Hinge type | 81.5 / Fixed | 81.5 / Fixed | 81.5 / Fixed | 81.5 / Fixed |
| DESIGN FEATURES | | | | |
| Drying system | Heat exchanger | Inherent heat | Inherent heat | Inherent heat |
| Home Connect | ● | ● | ● | ● |
| Control panel type | Push buttons + LED | Toggle control | Toggle control | Toggle control |
| Basket description | Vario Flex | Normal | Vario | Vario |
| Vario Drawer / Extra Space 3rd Basket (3rd loading level) | - | - | - | - |
| Extra Clean Zone | - | - | - | - |
| Status indicator | Info Light (Red) | Info Light (Red) | - | - |
| Door open assist | - | - | - | - |
| Glass care technology | ● | ● | ● | ● |
| Anti-slip protection and stemware support upper basket | - | - | - | - |
| Adjustable upper basket | 3-stage Rackmatic™ | - | Adjustable when empty | Adjustable when empty |
| Number of flip lines in upper / lower basket | 2 / 4 | - | - / 2 | - |
| Cup shelves upper / lower baskets | 2 / - | 2 / - | - | 2 / - |
| Cutlery holder lower basket | ● | ● | ● | ● |
| Largest loadable dish upper / lower basket (cm) | 27 / 31 | 27 / 31 | 27 / 31 | 27 / 31 |
| Load / Aqua sensor | ● | ● | ● | ● |
| Real-time clock | - | - | - | - |
| Start delay time max hours | 24 | 9 | 24 | 24 |
| Emotion light (interior lighting) | - | - | - | - |
| End of cycle indicator | Acoustic | Acoustic | Acoustic | Acoustic |
| Salt / Rinse aid light indicator | ● / ● | ● / ● | ● / ● | ● / ● |
| Self cleaning filter system | ● | ● | ● | ● |
| Flood protection system | Aqua Stop 24h | Aqua Stop 24h | Aqua Stop 24h | Aqua Stop 24h |
| Safety features | Door lock | Door lock | Door lock | Door lock |
| PROGRAMMES / FUNCTIONS | | | | |
| List of programmes | Eco 50°C, Intensive 70°C, Glass 40°C, Favourite, Auto 45-65°C, Express 65°C, Machine Care | Eco 50°C, Intensive 70°C, Auto 45-65°C, Favourite, Express 65°C, Machine Care | Eco 50°C, Intensive 70°C, Auto 45-65°C, Favourite, Express 65°C, Machine Care | Eco 50°C, Intensive 70°C, Favourite, Auto 45-65°C, Express 65°C, Machine Care |
| Additional operational options | Extra Dry, Hygiene+, SpeedPerfect+ | Extra Dry, Half Load, SpeedPerfect | Remote Start, Extra Dry, Half Load | Remote Start, Extra Dry, Half Load |
| TECHNICAL SPECIFICATIONS | | | | |
| Reference programme for measurements | Eco 50°C | Eco 50°C | Eco 50°C | Eco 50°C |
| Energy efficiency class ¹ | A G E | A G E | A G E | A G E |
| Energy ² / water ³ : kWh / litres | 92 / 9.5 | 92 / 10.5 | 92 / 10.5 | 92 / 10.5 |
| Load capacity (place settings) | 12 | 12 | 12 | 12 |
| Programme duration ⁴ : h:min | 3:45 | 4:30 | 4:30 | 4:30 |
| Noise level: dB (A) re 1 pW | 48 | 48 | 48 | 48 |
| Noise efficiency class | C | C | C | C |
| Noise level (silence programme): dB (A) re 1 pW | - | - | - | - |
| Length of electrical supply cord (cm) | 175 | 175 | 175 | 175 |
| Length inlet / outlet hose (cm) | 165 / 190 | 165 / 190 | 165 / 190 | 165 / 190 |
| Maximum height for installation (mm) | 875 | 875 | 875 | 875 |
| Maximum height adjustability feet (mm) | 60 | 60 | 60 | 60 |
| Maximum width for installation (mm) | 600 | 600 | 600 | 600 |
| Width / Depth of the product (mm) | 598 / 550 | 598 / 550 | 598 / 550 | 598 / 550 |
| Net weight / Gross weight (kg) | 33 / 35 | 31 / 33 | 31 / 34 | 31 / 34 |
| Water softener ⁵ | ● | ● | ● | ● |
| Maximum accepted water hardness (°DH) | 50 | 35 | 35 | 35 |
| Maximum temperature for water intake (°C) | 60 | 60 | 60 | 60 |
| Interior cavity | Stainless steel / Polinox base | Stainless steel / Polinox base | Stainless steel / Polinox base | Stainless steel / Polinox base |
| Included accessories | Large item spray head, Steam protection plate | Large item spray head, Steam protection plate | Large item spray head, Steam protection plate | Large item spray head, Steam protection plate |

● = Yes - = No
¹ On an energy efficiency class scale from A to G ² Energy consumption in kWh/100 operating cycles (using Eco programme) ³ Water consumption in litres/operating cycle (using Eco programme) ⁴ Duration of Eco programme
⁵ We would recommend our dishwashers are connected to the mains water supply where possible. However, they may also be connected to an external water softener as long as the water softener produces softened water of less than 1.1 mmol/litre (7.0°e) and the water softener in the appliance is turned off. Please contact product advice for further information. Water pressure required: 0.5-10 Bar. Flow rate: 10 litres per minute. Inlet valve connected directly to ¾" screwed joint. **Data valid in this table as of April 2023.** Subject to modification without prior notice.

For full specification details, please log onto our website and download a full specification sheet.

Explore more at [bosch-home.ie](https://www.bosch-home.ie)

45cm dishwashers



| TYPE | FULLY INTEGRATED 45CM | FULLY INTEGRATED 45CM |
|---|---|---|
| DESIGN FAMILY | SERIES 4 | |
| MODEL NUMBER | SPV4EMX21G | SPV2HKX39G |
| Control panel | Stainless steel | Black |
| Height (cm) / Hinge type | 81.5 / Fixed | 81.5 / Fixed |
| DESIGN FEATURES | | |
| Drying system | Heat exchanger/Efficient Dry | Heat exchanger |
| Home Connect | ● | ● |
| Control panel type | Push buttons + LED | Toggle control + LED |
| Basket description | Vario Flex | Vario |
| Vario Drawer / Extra Space 3rd Basket (3rd loading level) | Vario Drawer | - |
| Extra Clean Zone | - | - |
| Status indicator | Time Light (White) | Info Light (Red) |
| Door open assist | - | - |
| Glass care technology | ● | ● |
| Anti-slip protection and stemware support upper basket | - | - |
| Adjustable upper basket | 3-stage Rackmatic™ | Adjustable when empty |
| Number of flip lines in upper / lower basket | 2 / 2 | - / 2 |
| Cup shelves upper / lower baskets | 1 / 1 | 1 / - |
| Cutlery holder lower basket | - | ● |
| Largest loadable dish upper / lower basket (cm) | 21 / 31 | 27 / 31 |
| Load / Aqua sensor | ● | ● |
| Real-time clock | - | - |
| Start delay time max hours | 24 | 9 |
| Emotion light (interior lighting) | - | - |
| End of cycle indicator | Acoustic | Acoustic |
| Salt / Rinse aid light indicator | ● / ● | ● / ● |
| Self cleaning filter system | ● | ● |
| Flood protection system | Aqua Stop 24h | Aqua Stop 24h |
| Safety features | Door lock | Door lock |
| PROGRAMMES / FUNCTIONS | | |
| List of programmes | Eco 50°C, Intensive 70°C, Auto 45-65°C, Express 65°C, Silence 50°C, Favourite, Machine Care | Eco 50°C, Intensive 70°C, Auto 45-65°C, Express 65°C, Favourite, Machine Care |
| Additional operational options | Remote Start, EfficientDry, Intensive Zone, SpeedPerfect+ | Remote Start, Extra Dry, SpeedPerfect+ |
| TECHNICAL SPECIFICATIONS | | |
| Reference programme for measurements | Eco 50°C | Eco 50°C |
| Energy efficiency class ¹ | A G D | A G E |
| Energy ² / water ³ : kWh / litres | 67 / 9.5 | 70 / 8.5 |
| Load capacity (place settings) | 10 | 9 |
| Programme duration ⁴ : h:min | 3:30 | 3:40 |
| Noise level: dB (A) re 1 pW | 45 | 48 |
| Noise efficiency class | C | C |
| Noise level (silence programme): dB (A) re 1 pW | 42 | - |
| Length of electrical supply cord (cm) | 175 | 175 |
| Length inlet / outlet hose (cm) | 165 / 205 | 165 / 205 |
| Maximum height for installation (mm) | 875 | 875 |
| Maximum height adjustability feet (mm) | 60 | 60 |
| Maximum width for installation (mm) | 450 | 450 |
| Width / Depth of the product (mm) | 448 / 550 | 448 / 550 |
| Net weight / Gross weight (kg) | 30 / 32 | 30 / 32 |
| Water softener ⁵ | ● | ● |
| Maximum accepted water hardness (°DH) | 50 | 35 |
| Maximum temperature for water intake (°C) | 60 | 60 |
| Interior cavity | Stainless steel | Stainless steel |
| Included accessories | Large item spray head, Steam protection plate | Large item spray head, Steam protection plate |

● = Yes - = No
¹ On an energy efficiency class scale from A to G ² Energy consumption in kWh/100 operating cycles (using Eco programme) ³ Water consumption in litres/operating cycle (using Eco programme) ⁴ Duration of Eco programme
⁵ We would recommend our dishwashers are connected to the mains water supply where possible. However, they may also be connected to an external water softener as long as the water softener produces softened water of less than 1.1 mmol/litre (7.0°e) and the water softener in the appliance is turned off. Please contact product advice for further information. Water pressure required: 0.5-10 Bar. Flow rate: 10 litres per minute. Inlet valve connected directly to ¾" screwed joint. **Data valid in this table as of April 2023.** Subject to modification without prior notice.

For full specification details, please log onto our website and download a full specification sheet.

Making **life easy** through innovative technologies



| 60CM DISHWASHERS | | | | | |
|---|---|---|---|---|---|
| DESIGN FAMILY | SERIES 8 | SERIES 6 | SERIES 6 | SERIES 6 | SERIES 6 |
| MODEL | SMS8YCI03E | SMS6TCI00E | SMS6ZDW48G | SMS6EDI02G | SMS6EDW02G |
| Colour | Silver Inox | Silver Inox | White | Silver Inox | White |
| DESIGN FEATURES | | | | | |
| Drying system | PerfectDry Zeolith / Efficient Dry | PerfectDry Zeolith / Efficient Dry | PerfectDry Zeolith | Heat exchanger / Efficient Dry | Heat exchanger / Efficient Dry |
| Home Connect | ● | ● | ● | ● | ● |
| Control panel type | Top edge touch control | Front touch control + LED | Front touch control + LED | Top edge button control + LED | Front button control + LED |
| Basket description | Max Flex Pro | Flex | Max Flex | Max Flex | Max Flex |
| Vario Drawer / Extra Space 3rd Basket (3rd loading level) | Vario Drawer | Vario Drawer | Extra Space 3rd Basket | Extra Space 3rd Basket | Extra Space 3rd Basket |
| Extra Clean Zone | ● | - | ● | ● | ● |
| Glass care technology | ● | ● | ● | ● | ● |
| Anti-slip protection and stemware support upper basket | ● | - | ● | ● | ● |
| Adjustable upper basket | 3-stage Rackmatic™ | 3-stage Rackmatic™ | 2-stage Rackmatic™ | 2-stage Rackmatic™ | 2-stage Rackmatic™ |
| Number of flip tines in upper / lower basket | 6 / 8 | 2 / 2 | 2 / 6 | 2 / 6 | 2 / 6 |
| Cup shelves upper / lower baskets | 2 / 2 | 2 / 2 | 2 / 2 | 2 / 2 | 2 / 2 |
| Cutlery holder lower basket | - | - | ● | ● | ● |
| Largest loadable dish upper / lower basket (cm) | 21 / 31 | 21 / 31 | 21 / 27.5 | 21 / 27.5 | 21 / 27.5 |
| Load / Aqua sensor | ● | ● | ● | ● | ● |
| Real-time clock | ● | - | - | - | - |
| Start delay time max hours | 24 | 24 | 24 | 24 | 24 |
| Time remaining indicator | - | ● | ● | ● | ● |
| Emotion light (interior lighting) | ● | - | - | - | - |
| End of cycle indicator | Acoustic | - | - | Acoustic | Acoustic |
| Salt / Rinse aid light indicator | ●/● | ●/● | ●/● | ●/● | ●/● |
| Self cleaning filter system | ● | ● | ● | ● | ● |
| Single water protection | Aqua Stop 24h | Aqua Stop 24h | Aqua Stop 24h | Internal | Internal |
| Safety features | Door lock | Control panel lock, door lock | Control panel lock, door lock | Door lock | Door lock |
| PROGRAMMES / FUNCTIONS | | | | | |
| List of programmes | Intensive 70°C, Express 60°C, Glass 40°C, Intelligent 40°C, Eco 50°C, Auto 45-65°C, Silence 50°C, Favourite, Machine Care | Express 60°C, Eco 50°C, Auto 45-65°C, Intensive 70°C, Silence 50°C, Favourite, Machine Care | Express 60°C, Eco 50°C, Auto 45-65°C, Intensive 70°C, Express 45°C, Glass 40°C, Silence 50°C, Favourite, Machine Care | Eco 50°C, Auto 45-65°C, Intensive 70°C, Express 65°C, Silence 50°C, Favourite, Machine Care | Eco 50°C, Auto 45-65°C, Intensive 70°C, Express 60°C, Silence 50°C, Favourite, Machine Care |
| Additional special options | Remote Start, Extra Dry, Intensive Zone, Hygiene+, SpeedPerfect+ | Remote Start, Extra Dry, Half Load, SpeedPerfect+ | Remote Start, Extra Dry, Intensive Zone, SpeedPerfect+ | Remote Start, EfficientDry, Half Load, SpeedPerfect+ | Remote Start, Extra Dry, Half Load, SpeedPerfect+ |
| TECHNICAL SPECIFICATIONS | | | | | |
| Reference programme for measurements | Eco 50°C | Eco 50°C | Eco 50°C | Eco 50°C | Eco 50°C |
| Energy efficiency class ¹ | A | A | C | C | C |
| Energy ² / water ³ (kWh / litres) | 65 / 9.5 | 54 / 9.5 | 74 / 9.5 | 74 / 9.5 | 74 / 9.5 |
| Load capacity (place settings) | 14 | 14 | 13 | 13 | 13 |
| Programme duration ⁴ (h:min) | 3:55 | 4:55 | 3:55 | 4:35 | 4:35 |
| Noise level (dB(A) re 1 pW) | 43 | 44 | 42 | 46 | 46 |
| Noise efficiency class | B | B | B | C | C |
| Noise level (silence programme) (dB(A) re 1 pW) | 41 | 42 | 40 | 43 | 43 |
| Maximum height adjustability feet (cm) | 2 | 2 | 2 | 2 | 2 |
| Depth with open door 90 degree (cm) | 115.5 | 115.5 | 115.5 | 115.5 | 115.5 |
| Length of electrical supply cord (cm) | 175 | 175 | 175 | 175 | 175 |
| Length inlet / outlet hose (cm) | 165 / 190 | 165 / 190 | 165 / 190 | 150 / 190 | 165 / 190 |
| Height of the product with removable top (cm) | 84.5 | 84.5 | 84.5 | 84.5 | 84.5 |
| Height of the product without removable top (cm) | 81.5 | 81.5 | 81.5 | 81.5 | 81.5 |
| Width / Depth of the product (cm) | 60 / 60 | 60 / 60 | 60 / 60 | 60 / 60 | 60 / 60 |
| Net weight / Gross weight (kg) | 56 / 59 | 52 / 54 | 56 / 58 | 54 / 56 | 54 / 56 |
| Water softener ⁵ | ● | ● | ● | ● | ● |
| Maximum accepted water hardness (°DH) | 50 | 50 | 50 | 50 | 50 |
| Maximum temperature for water intake (°C) | 60 | 60 | 60 | 60 | 60 |
| Interior cavity | Stainless steel | Stainless steel | Stainless steel | Stainless steel | Stainless steel |
| Included accessories | - | - | Large item spray head | Large item spray head | Large item spray head |

● = Yes - = No
¹ On an energy-efficiency class scale from A to G ² Energy consumption in kWh/100 operating cycles (using Eco programme) ³ Water consumption in litres/operating cycle (using Eco programme) ⁴ Duration of Eco programme
⁵ We would recommend our dishwashers are connected to the mains water supply where possible. However, they may also be connected to an external water softener as long as the water softener produces softened water of less than 1.1 mmol/litre (7.0°e) and the water softener in the appliance is turned off. Please contact product advice for further information. Water pressure required: 0.5-10 Bar. Flow rate: 10 litres per minute. Inlet valve connected directly to 3/4" screwed joint. **Data valid in this table as of April 2023.** Subject to modification without prior notice.



| 60CM DISHWASHERS | | | | | | |
|---|---|---|---|---|---|---|
| SERIES 6 | SERIES 6 | SERIES 4 | SERIES 4 | SERIES 4 | SERIES 4 | |
| SMS6ZCI00G | SMS6ZCW00G | SMS4HMI00G | SMS4HMW00G | SMS4HKI00G | SMS4HKW00G | |
| Colour | Silver Inox | White | Silver Inox | White | Silver Inox | White |
| DESIGN FEATURES | | | | | | |
| Drying system | PerfectDry Zeolith | PerfectDry Zeolith | Heat exchanger | Heat exchanger | Heat exchanger | Heat exchanger |
| Home Connect | ● | ● | ● | ● | ● | ● |
| Control panel type | Front button control + LED | Front button control + LED | Front button control + LED | Front button control + LED | Front button control + LED | Front toggle control + LED |
| Basket description | Flex | Flex | Vario Flex | Vario Flex | Vario Flex | Vario Flex |
| Vario Drawer | Vario Drawer | Vario Drawer | Vario Drawer | Vario Drawer | - | - |
| Extra Clean Zone | - | - | - | - | - | - |
| Glass care technology | ● | ● | ● | ● | ● | ● |
| Anti-slip protection and stemware support upper basket | ● | ● | ● | ● | ● | ● |
| Adjustable upper basket | 3-stage Rackmatic™ | 3-stage Rackmatic™ | 3-stage Rackmatic™ | 3-stage Rackmatic™ | 3-stage Rackmatic™ | 3-stage Rackmatic™ |
| Number of flip tines in upper / lower basket | 2 / 2 | 2 / 2 | 2 / 4 | 2 / 4 | 2 / 4 | 2 / 4 |
| Cup shelves upper / lower baskets | 2 / 2 | 2 / 2 | 2 / - | 2 / - | 2 / - | 2 / - |
| Cutlery holder lower basket | - | - | - | - | ● | ● |
| Largest loadable dish upper / lower basket (cm) | 21 / 31 | 21 / 31 | 21 / 30 | 21 / 30 | 27 / 30 | 27 / 30 |
| Load / Aqua sensor | ● | ● | ● | ● | ● | ● |
| Real-time clock | ● | ● | - | - | - | - |
| Start delay time max hours | 24 | 24 | 24 | 24 | 24 | 24 |
| Time remaining indicator | ● | ● | ● | ● | ● | ● |
| Emotion light (interior lighting) | - | - | - | - | - | - |
| End of cycle indicator | - | - | - | - | - | - |
| Salt / Rinse aid light indicator | ●/● | ●/● | ●/● | ●/● | ●/● | ●/● |
| Self cleaning filter system | ● | ● | ● | ● | ● | ● |
| Single water protection | Internal | Internal | Internal | Internal | Internal | Internal |
| Safety features | Control panel lock, door lock | Control panel lock, door lock | Control panel lock, door lock | Control panel lock, door lock | Control panel lock, door lock | Control panel lock, door lock |
| PROGRAMMES / FUNCTIONS | | | | | | |
| List of programmes | Eco 50°C, Auto 45-65°C, Intensive 70°C, Express 60°C, Silence 50°C, Favourite, Machine Care | Eco 50°C, Auto 45-65°C, Intensive 70°C, Express 60°C, Silence 50°C, Favourite, Machine Care | Eco 50°C, Auto 45-65°C, Intensive 70°C, Express 65°C, Silence 50°C, Favourite, Machine Care | Eco 50°C, Auto 45-65°C, Intensive 70°C, Express 65°C, Silence 50°C, Favourite, Machine Care | Eco 50°C, Auto 45-65°C, Intensive 70°C, Express 65°C, Silence 50°C, Favourite, Machine Care | Eco 50°C, Auto 45-65°C, Intensive 70°C, Express 65°C, Silence 50°C, Favourite, Machine Care |
| Additional special options | Remote Start, Extra Dry, Half Load, SpeedPerfect+ | Remote Start, Extra Dry, Half Load, SpeedPerfect+ | Remote Start, Extra Dry, Half Load, SpeedPerfect+ | Remote Start, Extra Dry, Half Load, SpeedPerfect+ | Remote Start, Extra Dry, Half Load, SpeedPerfect+ | Remote Start, Extra Dry, Half Load, SpeedPerfect+ |
| TECHNICAL SPECIFICATIONS | | | | | | |
| Reference programme for measurements | Eco 50°C | Eco 50°C | Eco 50°C | Eco 50°C | Eco 50°C | Eco 50°C |
| Energy efficiency class ¹ | C | C | D | D | D | D |
| Energy ² / water ³ (kWh / litres) | 75 / 9.5 | 75 / 9.5 | 85 / 9.5 | 85 / 9.5 | 84 / 9.5 | 84 / 9.5 |
| Load capacity (place settings) | 14 | 14 | 14 | 14 | 13 | 13 |
| Programme duration ⁴ (h:min) | 3:55 | 3:55 | 4:55 | 4:55 | 4:55 | 4:55 |
| Noise level (dB(A) re 1 pW) | 44 | 44 | 44 | 44 | 44 | 44 |
| Noise efficiency class | B | B | B | B | B | B |
| Noise level (silence programme) (dB(A) re 1 pW) | 42 | 42 | 42 | 42 | 42 | 42 |
| Maximum height adjustability feet (cm) | 2 | 2 | 2 | 2 | 2 | 2 |
| Depth with open door 90 degree (cm) | 115.5 | 115.5 | 115.5 | 115.5 | 115.5 | 115.5 |
| Length of electrical supply cord (cm) | 175 | 175 | 175 | 175 | 175 | 175 |
| Length inlet / outlet hose (cm) | 165 / 190 | 165 / 190 | 165 / 190 | 165 / 190 | 165 / 190 | 150 / 190 |
| Height of the product with removable top (cm) | 84.5 | 84.5 | 84.5 | 84.5 | 84.5 | 84.5 |
| Height of the product without removable top (cm) | 81.5 | 81.5 | 81.5 | 81.5 | 81.5 | 81.5 |
| Width / Depth of the product (cm) | 60 / 60 | 60 / 60 | 60 / 60 | 60 / 60 | 60 / 60 | 60 / 60 |
| Net weight / Gross weight (kg) | 54 / 57 | 54 / 57 | 50 / 52 | 50 / 52 | 47 / 48 | 47 / 48 |
| Water softener ⁵ | ● | ● | ● | ● | ● | ● |
| Maximum accepted water hardness (°DH) | 50 | 50 | 50 | 50 | 50 | 50 |
| Maximum temperature for water intake (°C) | 60 | 60 | 60 | 60 | 60 | 60 |
| Interior cavity | Stainless steel | Stainless steel | Stainless steel | Stainless steel | Stainless steel | Stainless steel |
| Included accessories | Large item spray head | Large item spray head | Large item spray head | Large item spray head | Large item spray head | Large item spray head |

● = Yes - = No
¹ On an energy-efficiency class scale from A to G ² Energy consumption in kWh/100 operating cycles (using Eco programme) ³ Water consumption in litres/operating cycle (using Eco programme) ⁴ Duration of Eco programme
⁵ We would recommend our dishwashers are connected to the mains water supply where possible. However, they may also be connected to an external water softener as long as the water softener produces softened water of less than 1.1 mmol/litre (7.0°e) and the water softener in the appliance is turned off. Please contact product advice for further information. Water pressure required: 0.5-10 Bar. Flow rate: 10 litres per minute. Inlet valve connected directly to 3/4" screwed joint. **Data valid in this table as of April 2023.** Subject to modification without prior notice.

60cm dishwashers



| DISHWASHER TYPE | SERIES 2 | SERIES 2 | SERIES 2 | SERIES 2 | SERIES 2 |
|---|---|---|---|---|---|
| DESIGN FAMILY | SERIES 2 | SERIES 2 | SERIES 2 | SERIES 2 | SERIES 2 |
| MODEL | SMS2HV166G | SMS2HVW66G | SMS2IT141G | SMS2ITW41G | SMS2ITW08G |
| Colour | Silver Inox | White | Silver Inox | White | White |
| DESIGN FEATURES | | | | | |
| Drying system | Heat exchanger | Heat exchanger | Inherent heat | Inherent heat | Inherent heat |
| Home Connect WiFi connectivity | ● | ● | ● | ● | ● |
| Control panel type | Front button control + LED | Front button control + LED | Front button control + LED | Front button control + LED | Front button control + LED |
| Basket description | Vario | Vario | Vario | Vario | Vario Flex basket |
| Vario Drawer / Extra Space 3rd Basket (3rd loading level) | Vario Drawer | Vario Drawer | - | - | - |
| Extra Clean Zone | - | - | - | - | - |
| Glass care technology | ● | ● | ● | ● | ● |
| Anti-slip protection and stemware support upper basket | - | - | - | - | - |
| Adjustable upper basket | 3-stage Rackmatic™ | 3-stage Rackmatic™ | Adjustable when empty | Adjustable when empty | Adjustable when empty |
| Number of flip lines in upper / lower basket | - / 2 | - / 2 | - / 2 | - / 2 | - / 2 |
| Cup shelves upper / lower baskets | 2 / - | 2 / - | - | - | - |
| Cutlery holder lower basket | - | - | ● | ● | ● |
| Largest loadable dish upper / lower basket (cm) | 21 / 31 | 21 / 31 | 27 / 31 | 27 / 31 | 27 / 31 |
| Load / Aqua sensor | ● | ● | ● | ● | ● |
| Real-time clock | - | - | - | - | - |
| Start delay time max hours | 24 | 24 | 24 | 24 | 9 |
| Time remaining indicator | ● | ● | ● | ● | ● |
| Emotion light (interior lighting) | - | - | - | - | - |
| End of cycle indicator | - | - | - | - | - |
| Salt / Rinse aid light indicator | ● / ● | ● / ● | ● / ● | ● / ● | ● / ● |
| Self cleaning filter system | ● | ● | ● | ● | ● |
| Flood protection system | Internal | Internal | Internal | Internal | Internal |
| Safety features | Control panel lock, door lock | Control panel lock, door lock | Control panel lock, door lock | Control panel lock, door lock | Door lock |
| PROGRAMMES / FUNCTIONS | | | | | |
| List of programmes | Eco 50°C, Auto 45-65°C, Intensive 70°C, Express 65°C, Silence 50°C, Favourite, Machine Care | Eco 50°C, Auto 45-65°C, Intensive 70°C, Express 65°C, Silence 50°C, Favourite, Machine Care | Eco 50°C, Auto 45-65°C, Intensive 70°C, Express 65°C, Favourite, Machine Care | Eco 50°C, Auto 45-65°C, Intensive 70°C, Express 65°C, Favourite, Machine Care | Eco 50°C, Auto 45-65°C, Intensive 70°C, Express 65°C, Favourite, Machine Care |
| Additional special options | Remote start, Extra Dry, Half Load, SpeedPerfect+ | Remote start, Extra Dry, Half Load, SpeedPerfect+ | Remote start, Extra Dry, Half Load, SpeedPerfect | Remote start, Extra Dry, Half Load, SpeedPerfect | Remote start, Extra Dry, Half Load |
| TECHNICAL SPECIFICATIONS | | | | | |
| Reference programme for measurements | Eco 50°C | Eco 50°C | Eco 50°C | Eco 50°C | Eco 50°C |
| Energy efficiency class ¹ | A | A | A | A | A |
| Energy ² / water ³ (kWh / litres) | 94 / 9.5 | 94 / 9.5 | 92 / 10.5 | 92 / 10.5 | 92 / 10.5 |
| Load capacity (place settings) | 13 | 13 | 12 | 12 | 12 |
| Programme duration ⁴ (h:min) | 3:45 | 3:45 | 4:30 | 4:30 | 4:30 |
| Noise level (dB(A) re 1 pW) | 48 | 48 | 48 | 48 | 50 |
| Noise efficiency class | C | C | C | C | C |
| Noise level (silence programme) (dB(A) re 1 pW) | 46 | 46 | - | - | - |
| Maximum height adjustability feet (cm) | 2 | 2 | 2 | 2 | 2 |
| Depth with open door 90 degree (cm) | 115.5 | 115.5 | 115.5 | 115.5 | 115.5 |
| Length of electrical supply cord (cm) | 175 | 175 | 175 | 175 | 175 |
| Length inlet / outlet hose (cm) | 165 / 190 | 165 / 190 | 165 / 190 | 165 / 190 | 165 / 190 |
| Height of the product with removable top (cm) | 84.5 | 84.5 | 84.5 | 84.5 | 84.5 |
| Height of the product without removable top (cm) | 81.5 | 81.5 | 81.5 | 81.5 | 81.5 |
| Width / Depth of the product (cm) | 60 / 60 | 60 / 60 | 60 / 60 | 60 / 60 | 60 / 60 |
| Net weight / Gross weight (kg) | 50 / 52 | 50 / 52 | 45 / 46 | 45 / 46 | 44 / 45 |
| Water softener ⁵ | ● | ● | ● | ● | ● |
| Maximum accepted water hardness (°DH) | 50 | 50 | 50 | 50 | 50 |
| Maximum temperature for water intake (°C) | 60 | 60 | 60 | 60 | 60 |
| Interior cavity | Stainless steel / Polinox base | Stainless steel / Polinox base | Stainless steel / Polinox base | Stainless steel / Polinox base | Stainless steel / Polinox base |
| Included accessories | Large item spray head | Large item spray head | Large item spray head | Large item spray head | Large item spray head |

● = Yes - = No
¹ On an energy-efficiency class scale from A to G ² Energy consumption in kWh/100 operating cycles (using Eco programme) ³ Water consumption in litres/operating cycle (using Eco programme) ⁴ Duration of Eco programme
⁵ We would recommend our dishwashers are connected to the mains water supply where possible. However, they may also be connected to an external water softener as long as the water softener produces softened water of less than 1.1 mmol/litre (7.0°e) and the water softener in the appliance is turned off. Please contact product advice for further information. Water pressure required: 0.5-10 Bar. Flow rate: 10 litres per minute. Inlet valve connected directly to 3/4" screwed joint. **Data valid in this table as of April 2023.** Subject to modification without prior notice.

For full specification details, please log onto our website and download a full specification sheet.

Explore more at [bosch-home.ie](https://www.bosch-home.ie)

45cm & compact dishwashers



| DISHWASHER TYPE | 45CM DISHWASHER | 45CM DISHWASHER | 45CM DISHWASHER | 45CM DISHWASHER | COMPACT DISHWASHER |
|---|---|---|---|---|---|
| DESIGN FAMILY | SERIES 4 | SERIES 4 | SERIES 4 | SERIES 2 | SERIES 4 |
| MODEL | SPS4HMW53G | SPS4HKI45G | SPS4HKW45G | SPS2IKW04G | SKS62E32EU |
| Colour | White | Silver Inox | White | White | White |
| DESIGN FEATURES | | | | | |
| Drying system | Heat exchanger | Heat exchanger | Heat exchanger | Inherent heat | Inherent heat |
| Home Connect WiFi connectivity | ● | ● | ● | ● | - |
| Control panel type | Front button control + LED | Front button control + LED | Front button control + LED | Front button control + LED | Front dial control + LED |
| Basket description | Vario Flex | Vario Flex | Vario Flex | Vario | Vario |
| Vario Drawer / Extra Space 3rd Basket (3rd loading level) | Vario Drawer | - | - | - | - |
| Extra Clean Zone | - | - | - | - | - |
| Glass care technology | ● | ● | ● | ● | - |
| Anti-slip protection and stemware support upper basket | - | - | - | - | - |
| Adjustable upper basket | 3-stage Rackmatic™ | 3-stage Rackmatic™ | 3-stage Rackmatic™ | Adjustable when empty | - |
| Number of flip lines in upper / lower basket | 2 / 2 | 2 / 2 | 2 / 2 | - | - |
| Cup shelves upper / lower baskets | 1 / 1 | 2 / 1 | 2 / 1 | 2 / - | - / 2 |
| Cutlery holder lower basket | - | ● | ● | ● | - |
| Largest loadable dish upper / lower basket (cm) | 21 / 31 | 27 / 31 | 27 / 31 | 27 / 31 | 28 |
| Load / Aqua sensor | ● | ● | ● | ● | ● |
| Real-time clock | - | - | - | - | - |
| Start delay time max hours | 24 | 24 | 24 | 9 | 24 |
| Time remaining indicator | ● | ● | ● | - | ● |
| Emotion light (interior lighting) | - | - | - | - | - |
| End of cycle indicator | - | - | - | - | - |
| Salt / Rinse aid light indicator | ● / ● | ● / ● | ● / ● | ● / ● | ● / ● |
| Self cleaning filter system | ● | ● | ● | ● | ● |
| Flood protection system | Internal | Internal | Internal | Internal | AquaStop 24hr |
| Safety features | Door lock | Door lock | Door lock | Door lock | Door lock |
| PROGRAMMES / FUNCTIONS | | | | | |
| List of programmes | Eco 50°C, Auto 45-65°C, Intensive 70°C, Express 65°C, Favourite, Machine Care | Eco 50°C, Auto 45-65°C, Intensive 70°C, Express 65°C, Silence 50°C, Favourite, Machine Care | Eco 50°C, Auto 45-65°C, Intensive 70°C, Express 65°C, Silence 50°C, Favourite, Machine Care | Eco 50°C, Auto 45-65°C, Intensive 70°C, Express 65°C, Favourite, Machine Care | Eco 50°C, Auto 45-65°C, Intensive 70°C, Quick 45°C, Glass 40°C, Pre-Rinse |
| Additional special options | Remote Start, Extra Dry, SpeedPerfect+, Intensive Zone | Remote Start, Extra Dry, SpeedPerfect+, Intensive Zone | Remote Start, Extra Dry, SpeedPerfect+, Intensive Zone | Remote Start, Extra Dry, SpeedPerfect | Extra Dry, SpeedPerfect |
| TECHNICAL SPECIFICATIONS | | | | | |
| Reference programme for measurements | Eco 50°C | Eco 50°C | Eco 50°C | Eco 50°C | Eco 50°C |
| Energy efficiency class ¹ | A | A | A | A | A |
| Energy ² / water ³ (kWh / litres) | 76 / 9.5 | 70 / 8.5 | 70 / 8.5 | 78 / 9.5 | 61 / 8 |
| Load capacity (place settings) | 10 | 9 | 9 | 9 | 6 |
| Programme duration ⁴ (h:min) | 3:40 | 3:40 | 3:40 | 3:35 | 3:55 |
| Noise level (dB(A) re 1 pW) | 45 | 46 | 46 | 48 | 49 |
| Noise efficiency class | C | C | C | C | C |
| Noise level (silence programme) (dB(A) re 1 pW) | 42 | 43 | 43 | - | - |
| Maximum height adjustability feet (cm) | 2 | 2 | 2 | 2 | - |
| Depth with open door 90 degree (cm) | 115.5 | 115.5 | 115.5 | 115.5 | 84.5 |
| Length of electrical supply cord (cm) | 175 | 175 | 175 | 175 | 175 |
| Length inlet / outlet hose (cm) | 165 / 205 | 165 / 205 | 165 / 205 | 165 / 205 | 165 / 215 |
| Height of the product with removable top (cm) | 84.5 | 84.5 | 84.5 | 84.5 | 45.0 |
| Height of the product without removable top (cm) | 81.5 | 81.5 | 81.5 | 81.5 | Top not removable |
| Width / Depth of the product (cm) | 45 / 60 | 45 / 60 | 45 / 60 | 45 / 60 | 55 / 50 |
| Net weight / Gross weight (kg) | 40 / 42 | 42 / 44 | 39 / 40 | 44 / 46 | 22 / 24 |
| Water softener ⁵ | ● | ● | ● | ● | ● |
| Maximum accepted water hardness (°DH) | 50 | 50 | 50 | 35 | 35 |
| Maximum temperature for water intake (°C) | 60 | 60 | 60 | 60 | 60 |
| Interior cavity | Stainless steel | Stainless steel | Stainless steel | Stainless steel | Stainless steel / Polinox |
| Included accessories | Large item spray head | Large item spray head | Large item spray head | Large item spray head | - |

● = Yes - = No
¹ On an energy-efficiency class scale from A to G ² Energy consumption in kWh/100 operating cycles (using Eco programme) ³ Water consumption in litres/operating cycle (using Eco programme) ⁴ Duration of Eco programme
⁵ We would recommend our dishwashers are connected to the mains water supply where possible. However, they may also be connected to an external water softener as long as the water softener produces softened water of less than 1.1 mmol/litre (7.0°e) and the water softener in the appliance is turned off. Please contact product advice for further information. Water pressure required: 0.5-10 Bar. Flow rate: 10 litres per minute. Inlet valve connected directly to 3/4" screwed joint. **Data valid in this table as of April 2023.** Subject to modification without prior notice.

For full specification details, please log onto our website and download a full specification sheet.

Making **life easy** through innovative technologies

Installation tips

Dishwashers

Integrated dishwashers

Energy and water-efficient with outstanding performance, Bosch integrated dishwashers quietly do all the hard work for you behind closed doors. These models can be built under a worktop or sink drainer, between two units or at the end of a run of units. A furniture door is mounted on the appliance door so that the dishwasher is indistinguishable from other kitchen cabinets. Choose from full size 60cm wide, or slimline 45cm wide.

Built-in dimensions (60m wide)

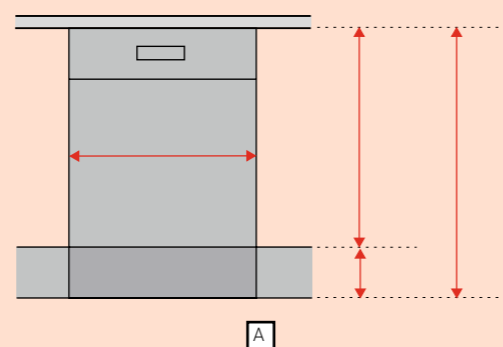
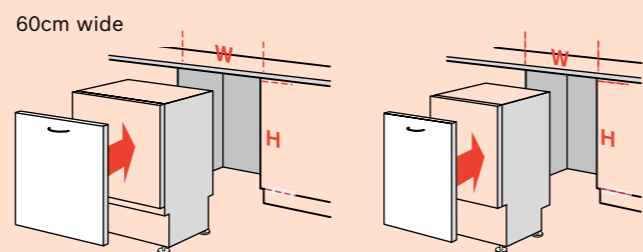
If you have a recess height of 81.5 – 87.5cm, plan for an 81cm dishwasher. The appliance's feet may be screwed out to a total height of 87.5cm. Or, if you have a recess height of 86.5 – 92.5cm plan for an 86cm dishwasher. The appliance's feet screw out to a total height of 92.5cm.

Quick checklist

Type

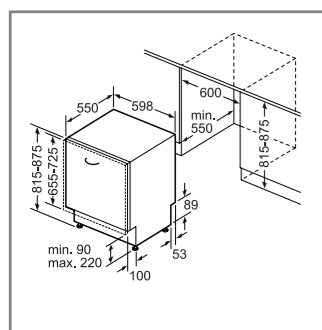
Fully integrated dishwasher

- 60cm wide
- 45cm wide

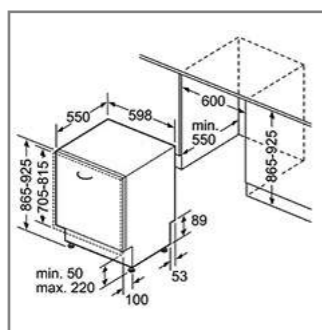


Built-in dishwasher technical diagrams

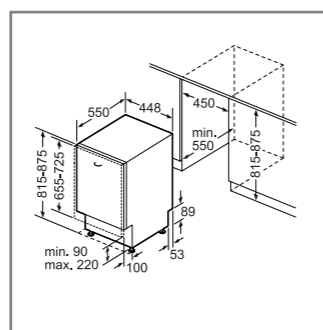
Fully integrated and slimline dishwashers



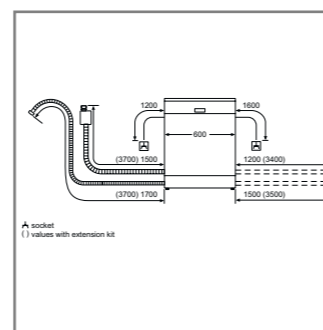
Fully integrated dishwashers



SBH4HVX31G (extra height)



45cm dishwashers



All 60cm dishwasher connection dimensions

Built-in dishwasher accessories

| DESCRIPTION | Accessory Nr. | SMD8YCX02G | SMD6TCX00E | SMD6ZCX60G | SMD6EDX57G | SMV6ZCX01G | SMV4HCX40G | SMV4HAX40G |
|---|---------------|------------|------------|------------|------------|------------|------------|------------|
| Split door furniture front connection rails – For fullsize and slimline models | SGZ8BI00 | • | • | • | • | • | • | • |
| Decor strip - For 60cm and 45cm Stainless Steel base models, 81.5cm height | SGZ0BI01 | • | • | • | • | • | • | • |
| Decor strip - For 60cm Polinox base models, 81.5cm height | SGZ0BI02 | - | - | - | - | - | - | - |
| Decor strip - For 60cm Stainless Steel base models installed off the ground, 81.5cm height | SMZ5035 | • | • | • | • | • | • | • |
| Decor strip - For full size Stainless Steel base models, 86.5cm height | SGZ0BI11 | - | • | - | - | - | - | - |
| Decor strip - For full size Stainless Steel base models installed off the ground, 86.5cm height | SMZ5045 | - | • | - | - | - | - | - |

| DESCRIPTION | Accessory Nr. | SBH4HVX31G | SMH4HVX32G | SMV4HVX38G | SMV4HTX27G | SMV2ITX18G | SPV4EMX21G | SPV2HXK39G |
|---|---------------|------------|------------|------------|------------|------------|------------|------------|
| Split door furniture front connection rails – For fullsize and slimline models | SGZ8BI00 | • | • | • | • | • | • | • |
| Decor strip - For 60cm and 45cm Stainless Steel base models, 81.5cm height | SGZ0BI01 | - | - | - | - | - | - | - |
| Decor strip - For 60cm Polinox base models, 81.5cm height | SGZ0BI02 | - | - | • | • | • | • | • |
| Decor strip - For 60cm Stainless Steel base models installed off the ground, 81.5cm height | SMZ5035 | - | - | - | - | - | - | - |
| Decor strip - For full size Stainless Steel base models, 86.5cm height | SGZ0BI11 | - | - | - | - | - | - | - |
| Decor strip - For full size Stainless Steel base models installed off the ground, 86.5cm height | SMZ5045 | - | - | - | - | - | - | - |

All diagram measurements are in millimetres (mm)

We try to keep up to date with constant technological improvements, so from time to time we may update installation guidelines. Therefore we strongly recommend that you download the latest installation guidelines from www.bosch-home.ie. Line drawings are for guidance only, and we recommend that you refer to the latest installation guidelines. Though every care is taken to ensure instructions are correct at the time of printing, Bosch cannot accept responsibility for incorrect planning or installation as a result of the use of these line drawings.

Freestanding dishwasher accessories

DISHCARE ACCESSORIES

| | | | |
|-----------------|---------|-----------------------------------|---------|
| Cutlery baskets | | Cutlery baskets (45cm & Compacts) | |
| Model | SMZ5100 | Model | SPZ5100 |
| Hose extension | | Wine Glass Holder | |
| Model | SGZ1010 | Model | SMZ5300 |
| Silver Cassette | | | |
| Model | SMZ5002 | | |

Freestanding dishwasher accessories

| DESCRIPTION | Accessory Nr. | SMS8YCI03E | SMS6ZDW48G | SMS6EDI02G | SMS6EDW02G | SMS6ZCI00G | SMS6ZCW00G | SMS4HMI00G | SMS4HMW00G |
|---|---------------|------------|------------|------------|------------|------------|------------|------------|------------|
| Aqua stop extension | SGZ1010 | • | • | • | • | • | • | • | • |
| Silver polishing cassette - 60cm dishwashers | SMZ5002 | - | • | • | • | • | • | • | - |
| Vario cutlery basket - 45cm dishwashers | SPZ5100 | - | - | - | - | - | - | - | - |
| Vario cutlery basket - 60cm dishwashers | SMZ5100 | • | - | - | - | • | • | • | • |
| Wine glass holder accessory (Glass secure tray) | SMZ5300 | • | • | • | • | • | • | • | • |

| DESCRIPTION | Accessory Nr. | SMS4HKI00G | SMS4HKW00G | SMS2HVI66G | SMS2HVV66G | SMS2IT141G | SMS2ITW41G | SPS2IKW04G | SKS62E32EU |
|---|---------------|------------|------------|------------|------------|------------|------------|------------|------------|
| Aqua stop extension | SGZ1010 | • | • | • | • | • | • | • | • |
| Silver polishing cassette - 60cm dishwashers | SMZ5002 | • | • | - | - | - | - | - | - |
| Vario cutlery basket - 45cm dishwashers | SPZ5100 | - | - | - | - | - | - | - | - |
| Vario cutlery basket - 60cm dishwashers | SMZ5100 | - | - | • | • | - | - | - | - |
| Wine glass holder accessory (Glass secure tray) | SMZ5300 | • | • | • | • | • | • | • | • |

Introducing the Bosch refrigeration range

Lock in the freshness.

Save more, waste less. Our range of freestanding fridge freezers are packed with innovative technologies to keep your food fresh for longer, so you'll throw out less and save on your weekly shopping bill.

To help you choose the right appliance, we have divided them into the four ranges below.

Series 8

Cutting-edge design meets advanced technologies. All models in our **Series 8** range are packed with features that save valuable time, effort and money – perfect for modern, busy households.

Series 6

Our **Series 6** range of appliances combines efficient performance with convenient storage and superior food preservation.

Series 4

All models in our **Series 4** range combine practical features with Bosch build quality.

Series 2

Built for optimal food storage, the **Series 2** refrigeration range is just as practical as it is value for money.



Model shown: KIN86VSE0G



TO FIND OUT MORE ABOUT OUR BOSCH REFRIGERATION RANGE, PLEASE SCAN THE QR CODE BELOW:



Easy-to-clean magnetic door seals

The magnetic door seals on all of our refrigeration ranges are **removable**, making them easy to clean and/or replace when necessary.

Refrigeration functions explained.

Check model for available functions.



No Frost
Never defrost again, thanks to perfect protection from ice formation that saves time and effort.



Low Frost
Defrost less often thanks to lower ice formation, saving work and energy.



Big Box
An extra-deep frozen food drawer makes stacking frozen foods containers or large frozen items like a Christmas Turkey or pizza boxes easier.



Multi Box
Transparent drawer with wave bottom, ideal for the storage of fruits and vegetables.



Super Cool
Activating the Super Cooling function before you go shopping lowers the temperature for a short period, so your fresh shopping is kept at the right temperature.



Super Freeze
The Super Freeze function temporarily lowers the temperature in the freezer for when you have new shopping to load in, protecting both new and existing food.



Safety Glass
Strong glass shelves ensure heavier items can be stored safely.



Easy Shelf Access
The shatterproof, frameless glass shelves are particularly easy to use, thanks to the smooth pull-out mechanism. And they also give you a clear view of your food at any time.



Multi Airflow
The fan-assisted Multi Airflow System causes gentle, even currents of cold air to emerge at all levels of the chilling and freezing area. Temperature fluctuations are minimised and cooling times are reduced.

VitaFresh

With **VitaFresh**, you'll be able to store your fruit and vegetables safely to lock in the freshness. And with an adjustable humidity setting on the drawer, you'll be keeping your fresh food in a perfectly controlled environment.

There are two drawer solutions; you'll either find one big drawer for fish and meat or two drawers, one for fish and one for meat. All with a temperature regulating slider which lets you lower the temperature up to 4°C lower than the rest of the fridge.

VitaFresh^{plus}

The **Series 6** fridge freezers help you to live healthier. They not only offer you plenty of room for fresh foods, drinks and even big pots and bowls, but also the technology to store them optimally.

The **VitaFresh plus** freshness system guarantees ideal storage conditions at any time and ensures that fish, meat, fruit and vegetables stay fresh for longer. This makes our Series 6 fridge freezer not only optimal for your food, but also for yourself.

VitaFresh plus models have the added benefit of a convenient push button for humidity control.

VitaFresh^{pro}

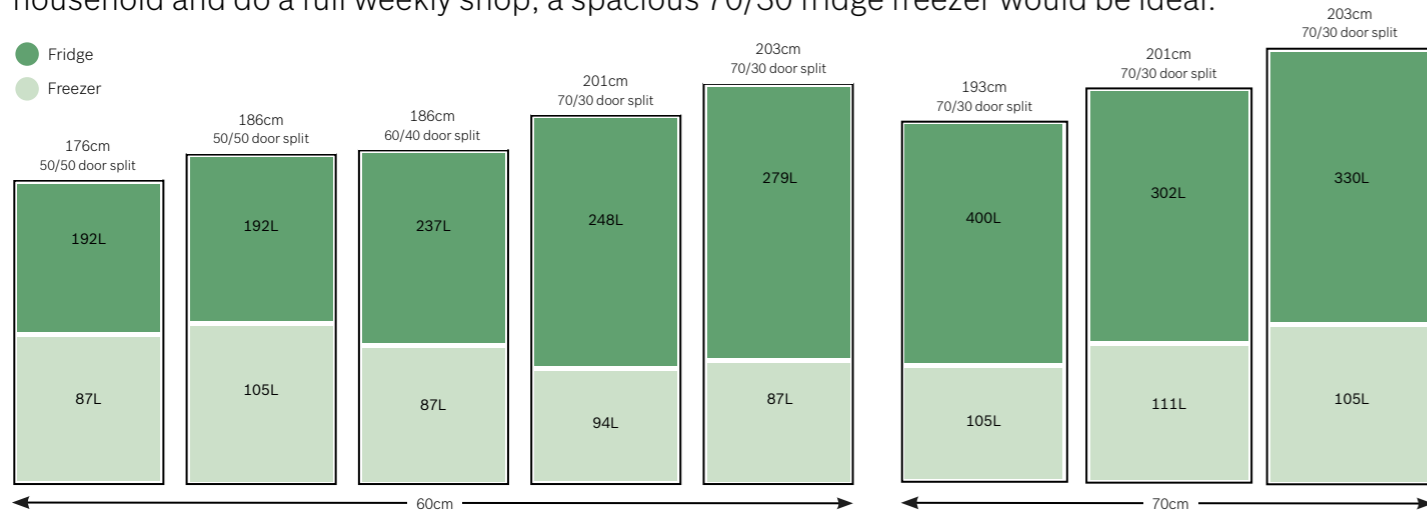
The **Series 8** fridges feature our best freshness system **VitaFresh pro**. It keeps food fresh for longer with temperatures from -1°C to +3°C while maintaining the perfect humidity level.

This combination of temperature and humidity helps you to protect all the aromas, essential nutrients and valuable vitamins in your fresh food. Hence, it's easier than ever to maintain a healthy diet with fresh fruit and vegetables every day.

Select the right fridge freezer for you.

Height, width and fridge freezer split.

Our fridge freezer options are tailored to suit every family household's needs, so you can choose your appliance to ensure this. For those who shop little and often, try a smaller capacity fridge and freezer which doesn't impact on space. If you have a busy household and do a full weekly shop, a spacious 70/30 fridge freezer would be ideal.



Controlling your appliance.

Across the range of cooling appliances, there are different ways you can control the temperature inside your fridge freezer. Below are the different variations:



Exterior LCD, digital control (touch control)



Exterior touch control (digital control)



Interior LED button control



Interior LED button (freezer only)

The XXL fridge freezers. Keep more, waste less.

The Bosch XXL fridge freezers are extra-large, providing much more space for your food. Their impressive refrigeration has features such as full flexibility of all safety glass shelves which are particularly easy to use, thanks to the smooth pull-out mechanism.

Across the range of 70cm-wide and 86cm-wide, models include a **Big Box** freezer drawer, for the practical stacking of frozen food containers or large frozen items and the **VitaFresh** function which ensures food is kept fresh for longer – thanks to extra low temperatures for fish and meat, and adjustable humidity for fruit and vegetables.



Anti fingerprint
Your appliance will stay finger print free and looking clean and fresh.

Explore more at bosch-home.ie



Select the right model for your kitchen.



Built-in fridge freezer

Built-in fridge freezers blend seamlessly into your kitchen cabinets, making it easy to access your chilled food, and still provide plenty of storage for your frozen goods. Select from a variety of options to suit your needs for either larger fridges or freezers.



Built-in fridge

Built-in fridges integrated into your kitchen cabinets. Add to the expanded space you have for keeping your chilled food fresh.



Built-in freezer

Bosch has a wide range of built-in freezers to suit every kitchen size. From tall upright freezers to compact under-counter models, all Bosch freezers are built to maximise storage space and minimise energy consumption.



Built-under fridge and freezer

Our built-under fridges and freezers are ideal for those limited on space within the kitchen. Under-counter cooling solutions will allow you to have easy access to your chilled food, all while being discreetly tucked behind the door.



Hinges to fit in with your kitchen.

Fixed hinge

Fixed hinges allow heavier furniture doors to be fitted to the appliance, ideal for kitchen cabinets made from heavier hard wood. This also allows the door to be open at a wider angle, making the whole fridge cavity easily accessible.



Sliding hinge

Sliding hinges are designed for integrated kitchens and are designed to sit between the appliance and the kitchen furniture, which is secured by a number of brackets. As you open the furniture door, the appliance door also opens, thanks to the series of brackets.



Quietly does it

As there could be many small and larger hands opening and shutting the fridge door, it's nice to know that we've integrated **Soft Closing doors** in many models – so doors don't get left open accidentally.



Model shown: KIF86PFE0

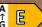
Multi-door cooling



TO FIND OUT MORE ABOUT OUR BOSCH MULTI-DOOR FRIDGE FREEZER RANGE, PLEASE SCAN THE QR CODE BELOW:



Sleek, stunning design, best-in-class freshness system, XXL fridge capacity for effortless organisation and innovative features are designed to keep your food fresh for longer.

Model shown: KFF96PIEP 

Wine coolers

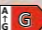
Your own personal wine cellar.

The range of stylish Bosch wine coolers blend seamlessly into your kitchen, while constantly keeping your red and white wine perfectly stored and at an ideal temperature.

TO FIND OUT MORE ABOUT OUR BOSCH WINE COOLER RANGE, PLEASE SCAN THE QR CODE BELOW:



- ✓ **2 temperature zones:** ranging from 5°C to 20°C
- ✓ **Oak shelves:** With telescopic rails
- ✓ **Interior LED light bar:** With on/off function for presentation

Model shown: KUW21AHG0G 



Choosing the right model for your needs.



Model shown: KAG93AIEPG 

2 door

- ✓ **Classic side by side design:** easy to store and access your shopping
- ✓ **Multi Airflow:** innovative technology that ensures equal temperature throughout the fridge cavity
- ✓ **No Frost:** no more defrosting!
- ✓ **External ice and water dispenser:** ice-cold water at the touch of a button




Model shown: KFF96PIEP 

3 door

- ✓ **Wide not deep:** by halving the door size, you can get a big capacity without the door cutting into your kitchen walkway
- ✓ **VitaFresh pro:** to store your fruit and veg fresh for longer
- ✓ **Effortless Access:** designed with 3 doors to give you easy access
- ✓ **Internal Water Dispenser:** keeps the appliance exterior looking seamless
- ✓ **Automatic Ice Cube Maker:** instant ice for those hot summer days




Model shown: KFN96APEA 

4 door

- ✓ **XXL capacity:** easily store your weekly shop
- ✓ **VitaFresh technology:** keep your fruit and veg fresh for longer
- ✓ **No Frost:** say goodbye to defrosting!
- ✓ **Super storage:** the freezer cavity comes with two No Frost Big Boxes – ideal for stacking meal prep containers



- ✓ **Wooden oak shelves**
- ✓ **Interior light with on/off function for presentation**
- ✓ **Changeable hinge**

Model shown: KUW20VHFOG 

No Frost bottom freezers



| TYPE | BOTTOM FREEZER | BOTTOM FREEZER | BOTTOM FREEZER | BOTTOM FREEZER |
|--|---|---------------------------------|---------------------------------|---------------------------------|
| DESIGN FAMILY | SERIES 8 | SERIES 6 | SERIES 4 | SERIES 4 |
| MODEL NUMBER | KIF86PFE0 | KIN86ADD0G | KIN86HFE0 | KIN86VFE0G |
| Fridge / Freezer split | 60 / 40 | 60 / 40 | 60 / 40 | 60 / 40 |
| No Frost | • | • | • | • |
| Low Frost or Manual defrost | - | - | - | - |
| Soft Close hinge | - | • | - | - |
| Type of hinge (reversible) | Fixed hinge | Fixed hinge | Fixed hinge | Fixed hinge |
| Home Connect | - | - | • | - |
| FOOD FRESHNESS SYSTEM | | | | |
| VitaFresh | 1 VitaFresh Premium 0°C drawer | 1 VitaFresh plus drawer | 1 VitaFresh plus drawer | 1 VitaFresh plus drawer |
| KEY FEATURES – FRIDGE SECTION | | | | |
| Light | LED | LED | LED | LED |
| Super Cool | • | • | • | • |
| Type of control | Electronic | Electronic | Electronic | Electronic |
| Number of shelves | 3 | 3 | 3 | 3 |
| Number of adjustable shelves | 2 | 2 | 3 | 3 |
| Number of door bins / shelves | 2 | 2 | 3 | 3 |
| Type of shelves | Safety glass | Safety glass | Safety glass | Safety glass |
| Temperature display | Digital 7 segment | Digital 7 segment | Digital 7 segment | Digital 7 segment |
| Warning signal door open | Visual and audible | Visual and audible | visual / acoustic | visual / acoustic |
| Bottle shelves in fridge | - | • | - | - |
| KEY FEATURES – FREEZER SECTION | | | | |
| Door opened indicator | Visual and audible | Visual and audible | Visual and audible | - |
| Super Freeze function | • | • | - | • |
| Temperature adjustable in freezer | • | • | • | - |
| Number of ice cube trays | 1 | 1 | 1 | 1 |
| Number of freezer drawers | 3 | 3 | 3 | 3 |
| ADDITIONAL INFORMATION | | | | |
| Energy efficiency class | | | | |
| Energy consumption annual kWh ¹ | 232 kWh/a | 186 kWh/a | 234 kWh/a | 234 kWh/a |
| Total net capacity (litres) | 223 | 254 | 260 | 260 |
| Refrigerator net capacity 4°C - 8°C (litres) | 156 | 187 | 184 | 184 |
| Refrigerator net capacity 0°C (litres) | 55 | 0 | 0 | 0 |
| Freezer net capacity (litres) | 67 | 67 | 76 | 76 |
| Climate class ² | SN-ST | SN-ST | SN-ST | SN-ST |
| Noise level dB(A) re 1 pW | 36 | 35 | 35 | 35 |
| Noise emission class | C | B | B | B |
| Additional accessories included | 3 x egg tray, 1 x ice cube tray, 1 x bottle holder in door tray | 3 x egg tray, 1 x ice cube tray | 3 x egg tray, 1 x ice cube tray | 3 x egg tray, 1 x ice cube tray |
| Height of product (mm) | 1772 | 1772 | 1772 | 1772 |
| Width of product (mm) | 558 | 558 | 541 | 541 |
| Depth of product (mm) | 545 | 545 | 548 | 548 |

• = Yes - = No
¹ Actual energy consumption will depend on how the appliance is used and where it is located ² Climate zone SN = designed to operate in ambient temperatures of +10°C to 32°C. Climate zone T = designed to operate in ambient temperatures of +18°C to 43°C.
Data valid in this table as of April 2023. Subject to modification without prior notice.

All models comply with COMMISSION REGULATION (EC) No 1275/2008 with regard to ecodesign requirements for standby and off mode electric power consumption. For full specification details, please log onto our website and download a full specification sheet.

Explore more at [bosch-home.ie](https://www.bosch-home.ie)

| TYPE | BOTTOM FREEZER | BOTTOM FREEZER | BOTTOM FREEZER | BOTTOM FREEZER | BOTTOM FREEZER |
|--|---------------------------------|---------------------------------|---------------------------------|---|---------------------------------|
| DESIGN FAMILY | SERIES 4 | SERIES 2 | SERIES 2 | SERIES 2 | SERIES 2 |
| MODEL NUMBER | KIN86VSE0G | KIN86NFF0G | KIN86NSF0G | KIN85NFF0G | KIN85NSF0G |
| Fridge / Freezer split | 60 / 40 | 60 / 40 | 60 / 40 | 50 / 50 | 50 / 50 |
| No Frost | • | • | • | • | • |
| Low Frost or Manual defrost | - | - | - | - | - |
| Soft Close hinge | - | - | - | - | - |
| Type of hinge (reversible) | Sliding hinge | Fixed hinge | Sliding hinge | Fixed hinge | Follow-door |
| Home Connect | - | - | - | - | - |
| FOOD FRESHNESS SYSTEM | | | | | |
| VitaFresh | 1 VitaFresh plus drawer | MultiBox | MultiBox | MultiBox | MultiBox |
| KEY FEATURES – FRIDGE SECTION | | | | | |
| Light | LED | LED | LED | LED | LED |
| Super Cool | - | - | - | - | - |
| Type of control | Electronic | Electronic | Electronic | Electronic | Electronic |
| Number of shelves | 3 | 4 | 4 | 3 | 3 |
| Number of adjustable shelves | 3 | 3 | 3 | 2 | 2 |
| Number of door bins / shelves | 3 | 3 | 3 | 2 | 2 |
| Type of shelves | Safety glass | Safety glass | Safety glass | Safety glass | Safety glass |
| Temperature display | Digital LED | Digital LED | Digital LED | Digital LED | Digital LED |
| Warning signal door open | Visual / acoustic | Visual / acoustic | Visual / acoustic | Visual / acoustic | Visual / acoustic |
| Bottle shelves in fridge | • | - | - | - | - |
| KEY FEATURES – FREEZER SECTION | | | | | |
| Door opened indicator | Visual and audible | Visual and audible | Visual and audible | Visual and audible | Visual and audible |
| Super Freeze function | • | • | • | • | • |
| Temperature adjustable in freezer | - | - | - | - | - |
| Number of ice cube trays | 1 | 1 | 1 | 1 | 1 |
| Number of freezer drawers | 3 | 3 | 3 | 4 | 4 |
| ADDITIONAL INFORMATION | | | | | |
| Energy efficiency class | | | | | |
| Energy consumption annual kWh ¹ | 234 kWh/a | 293 kWh/a | 293 kWh/a | 298 kWh/a | 298 kWh/a |
| Total net capacity (litres) | 260 | 260 | 260 | 249 | 249 |
| Refrigerator net capacity 4°C - 8°C (litres) | 184 | 184 | 184 | 150 | 150 |
| Refrigerator net capacity 0°C (litres) | 0 | 0 | 0 | 0 | 0 |
| Freezer net capacity (litres) | 76 | 76 | 76 | 99 | 99 |
| Climate class ² | SN-ST | SN-ST | SN-ST | SN-ST | SN-ST |
| Noise level dB(A) re 1 pW | 35 | 39 | 39 | 39 | 39 |
| Noise emission class | B | C | C | C | C |
| Additional accessories included | 3 x egg tray, 1 x ice cube tray | 3 x egg tray, 1 x ice cube tray | 3 x egg tray, 1 x ice cube tray | 2 x ice packs, 3 x egg trays, 1 x ice cube tray, 1 x ice cube tray with lid | 3 x egg tray, 1 x ice cube tray |
| Height of product (mm) | 1770 | 1772 | 1772 | 1772 | 1772 |
| Width of product (mm) | 540 | 541 | 541 | 541 | 541 |
| Depth of product (mm) | 550 | 548 | 548 | 548 | 548 |

• = Yes - = No
¹ Actual energy consumption will depend on how the appliance is used and where it is located ² Climate zone SN = designed to operate in ambient temperatures of +10°C to 32°C. Climate zone T = designed to operate in ambient temperatures of +18°C to 43°C.
Data valid in this table as of April 2023. Subject to modification without prior notice.

All models comply with COMMISSION REGULATION (EC) No 1275/2008 with regard to ecodesign requirements for standby and off mode electric power consumption. For full specification details, please log onto our website and download a full specification sheet.

Making **life easy** through innovative technologies

Low Frost bottom freezers

Low Frost & static bottom freezers



| TYPE | BOTTOM FREEZER | BOTTOM FREEZER | BOTTOM FREEZER |
|---|---|---|---|
| DESIGN FAMILY | SERIES 6 | SERIES 6 | SERIES 4 |
| MODEL NUMBER | KIS87AFE0G | KIS86AFE0G | KIV87VFE0G |
| Fridge / Freezer split | 70 / 30 | 60 / 40 | 70 / 30 |
| No Frost | - | - | - |
| Low Frost or Manual defrost | Low Frost | Low Frost | Low Frost |
| Soft Close hinge | - | - | - |
| Type of hinge (reversible) | Fixed hinge | Fixed hinge | Fixed hinge |
| Home Connect | - | - | - |
| FOOD FRESHNESS SYSTEM | | | |
| VitaFresh | 1 VitaFresh plus drawer | 1 VitaFresh plus drawer | 1 vegetable drawer |
| KEY FEATURES – FRIDGE SECTION | | | |
| Light | LED | LED | LED |
| Super Cool function | ● | ● | - |
| Type of control | Electronic | Electronic | Electronic |
| Number of shelves | 5 | 5 | 5 |
| Number of adjustable shelves | 4 | 4 | 4 |
| Number of door bins / shelves | 5 | 5 | 4 |
| Type of shelves | Safety glass | Safety glass | Safety glass |
| Temperature display | Digital 7 segment | Digital 7 segment | Digital LED |
| Warning signal door open | Acoustic | Acoustic | Acoustic |
| Bottle shelves in fridge | - | - | 1 bottle support grid |
| KEY FEATURES – FREEZER SECTION | | | |
| Door opened indicator | Visual and audible | - | No signal |
| Super Freeze function | ● | ● | ● |
| Temperature adjustable in freezer | ● | ● | - |
| Number of ice cube trays | 1 | 1 | 1 |
| Number of freezer drawers | 2 | 3 | 2 |
| ADDITIONAL INFORMATION | | | |
| Energy efficiency class | A G E | A G E | A G E |
| Energy consumption annual kWh ¹ | 225 kWh/a | 218 kWh/a | 274 kWh/a |
| Total net capacity (litres) | 270 | 265 | 271 |
| Refrigerator net capacity 4°C- 8°C (litres) | 209 | 191 | 201 |
| Refrigerator net capacity 0°C (litres) | 0 | 0 | 0 |
| Freezer net capacity (litres) | 63 | 74 | 70 |
| Climate class ² | SN-T | SN-ST | SN-T |
| Noise level dB(A) re 1 pW | 36 | 36 | 35 |
| Noise emission class | C | C | B |
| Additional accessories included | 3 x egg tray, 1 x ice cube tray, 1 x bottle holder in door tray | 2 x ice packs, 3 x egg trays, 1 x ice cube tray, 1 x ice cube tray with lid, 1 x bottle holder in door tray | 2 x ice packs, 3 x egg trays, 1 x ice cube tray, 1 x ice cube tray with lid |
| Height of product (mm) | 1772 | 1772 | 1772 |
| Width of product (mm) | 558 | 558 | 541 |
| Depth of product (mm) | 545 | 545 | 548 |

| TYPE | BOTTOM FREEZER | BOTTOM FREEZER | BOTTOM FREEZER |
|---|--|---|----------------------------------|
| DESIGN FAMILY | SERIES 4 | SERIES 4 | SERIES 2 |
| MODEL NUMBER | KIV87VSE0G | KIV86VSE0G | KIV87NSF0G |
| Fridge / Freezer split | 70 / 30 | 60 / 40 | 70 / 30 |
| No Frost | - | - | - |
| Low Frost or Manual defrost | Low Frost | Low Frost | Low Frost |
| Soft Close hinge | - | - | - |
| Type of hinge (reversible) | Sliding hinge | Sliding hinge | Sliding hinge |
| Home Connect | - | - | - |
| FOOD FRESHNESS SYSTEM | | | |
| VitaFresh | 1 vegetable drawer | 1 vegetable drawer | 1 vegetable drawer |
| KEY FEATURES – FRIDGE SECTION | | | |
| Light | LED | LED | LED |
| Super Cool function | - | - | - |
| Type of control | Electronic | Electronic | Electronic |
| Number of shelves | 5 | 4 | 5 |
| Number of adjustable shelves | 4 | 3 | 4 |
| Number of door bins / shelves | 4 | 3 | 4 |
| Type of shelves | Safety glass | Safety glass | Safety glass |
| Temperature display | Digital LED | Digital LED | Digital LED |
| Warning signal door open | Acoustic | Acoustic | Acoustic |
| Bottle shelves in fridge | 1 bottle support grid | 1 bottle support grid | - |
| KEY FEATURES – FREEZER SECTION | | | |
| Door opened indicator | No signal | No signal | No signal |
| Super Freeze function | ● | ● | ● |
| Temperature adjustable in freezer | - | - | - |
| Number of ice cube trays | 1 | 1 | 1 |
| Number of freezer drawers | 2 | 3 | 2 |
| ADDITIONAL INFORMATION | | | |
| Energy efficiency class | A G E | A G E | A F F |
| Energy consumption annual kWh ¹ | 274 kWh/a | 274 kWh/a | 277 kWh/a |
| Total net capacity (litres) | 271 | 269 | 268 |
| Refrigerator net capacity 4°C- 8°C (litres) | 201 | 184 | 199 |
| Refrigerator net capacity 0°C (litres) | 0 | 0 | 0 |
| Freezer net capacity (litres) | 70 | 85 | 69 |
| Climate class ² | SN-T | SN-T | SN-ST |
| Noise level dB(A) re 1 pW | 35 | 35 | 39 |
| Noise emission class | B | B | C |
| Additional accessories included | 2 x ice packs, 3 x egg trays, 1 x ice cube tray with lid | 2 x ice packs, 3 x egg trays, 1 x ice cube tray, 1 x ice cube tray with lid | 3 x egg trays, 1 x ice cube tray |
| Height of product (mm) | 1772 | 1772 | 1772 |
| Width of product (mm) | 541 | 541 | 541 |
| Depth of product (mm) | 548 | 548 | 548 |

● = Yes - = No
¹ Actual energy consumption will depend on how the appliance is used and where it is located ² Climate zone SN = designed to operate in ambient temperatures of +10°C to 32°C. Climate zone T = designed to operate in ambient temperatures of +18°C to 43°C.
Data valid in this table as of April 2023. Subject to modification without prior notice.

● = Yes - = No
¹ Actual energy consumption will depend on how the appliance is used and where it is located ² Climate zone SN = designed to operate in ambient temperatures of +10°C to 32°C. Climate zone T = designed to operate in ambient temperatures of +18°C to 43°C.
Data valid in this table as of April 2023. Subject to modification without prior notice.



| TYPE | FRIDGE 177CM | FRIDGE 177CM | FRIDGE 177CM | FRIDGE 177CM |
|--|---|---|---|---|
| DESIGN FAMILY | SERIES 8 | SERIES 8 | SERIES 6 | SERIES 6 |
| MODEL NUMBER | KIF82PFF0 | KIF81PFE0 | KIR81AFE0G | KIL82AFF0G |
| No Frost | - | - | - | - |
| Low Frost or Manual defrost | - | - | - | - |
| Soft Close hinge | - | - | - | - |
| Type of hinge (reversible) | Fixed hinge | Fixed hinge | Fixed hinge | Fixed hinge |
| Home Connect | - | - | - | - |
| FOOD FRESHNESS SYSTEM | | | | |
| VitaFresh / Fresh Safe / hyperFresh | 3 VitaFresh Premium 0° drawers | 3 VitaFresh Pro 0° degree drawers | 2 VitaFresh Plus drawers, 1 with telescopic rails | 2 VitaFresh Plus drawers, 1 with telescopic rails |
| KEY FEATURES – FRIDGE SECTION | | | | |
| Light | LED | LED | LED | LED |
| Super Cool function | ● | ● | ● | ● |
| Type of control | 1 x 7 segment | 1 x 7 segment | 1 x 7 segment | 1 x 7 segment |
| Number of shelves | 6 | 7 | 7 | 5 |
| Number of adjustable shelves | 5 | 6 | 6 | 4 |
| Number of door bins / shelves | 5 | 5 | 6 | 5 |
| Type of shelves | Safety glass | Plastic / Glass | Plastic / Glass | Plastic / Glass |
| Temperature display | Digital | Digital | Digital | Digital |
| Warning signal door open | ● | ● | ● | ● |
| Defrost system in fridge | Automatic | Automatic | Automatic | Automatic |
| Bottle shelves in fridge | - | - | 1 bottle support grid | - |
| KEY FEATURES – FREEZER SECTION | | | | |
| Light in freezer | - | - | - | - |
| Warning signal door open | - | - | - | - |
| Super Freeze function | - | - | - | - |
| Temperature adjustable in freezer | - | - | - | - |
| Number of ice cube trays | 1 ice cube tray | - | - | 1 |
| Number of freezer flaps | 1 | - | - | 1 |
| Number of freezer drawers | - | - | - | - |
| ADDITIONAL INFORMATION | | | | |
| Energy efficiency class | A F | A E | A E | A F |
| Energy consumption annual kWh ¹ | 220 kWh/a | 132 kWh/a | 115 kWh/a | 209 kWh/a |
| Total net capacity litres including 0°C drawers (litres) | 269 | 289 | 319 | 286 |
| Refrigerator net capacity 0°C (litres) | 254 | 289 | 319 | 252 |
| Freezer net capacity (litres) | 15 | 0 | 0 | 341 |
| Climate class ² | SN-T | SN-T | SN-T | SN-ST |
| Noise level dB(A) re 1 pW | 37 dB | 37 dB | 37 dB | 30 dB |
| Noise emission class | C | C | C | C |
| Additional accessories included | 3 x egg tray, 1 x ice cube tray, 1 x bottle holder in door tray | 3 x egg trays, 1 x bottle holder in door tray | 3 x egg trays | 3 x egg trays, 1 x ice cube tray |
| Height of product (mm) | 1772 | 1772 | 1772 | 1772 |
| Width of product (mm) | 558 | 558 | 558 | 558 |
| Depth of product (mm) | 545 | 545 | 545 | 545 |

| FRIDGE 177CM | FRIDGE 177CM | FREEZER 177CM | FREEZER 177CM | FRIDGE 122CM | FRIDGE 122CM |
|---------------------------------------|----------------------------------|--------------------|--------------------|--------------------|--------------------|
| SERIES 4 | SERIES 4 | SERIES 8 | SERIES 6 | SERIES 4 | SERIES 2 |
| KIR81VSF0G | KIL82VSF0 | GIN81HCE0G | GIN81AEF0G | KIR41VEF0G | KIR41NSE0G |
| - | - | ● | ● | - | - |
| - | - | - | - | - | - |
| - | - | - | - | - | - |
| Sliding hinge | Sliding hinge | Fixed hinge | Fixed hinge | Fixed hinge | Sliding hinge |
| - | - | ● | - | - | - |
| FOOD FRESHNESS SYSTEM | | | | | |
| 2 vegetable drawers | 2 vegetable drawers | - | - | 1 vegetable drawer | 1 vegetable drawer |
| KEY FEATURES – FRIDGE SECTION | | | | | |
| LED | LED | - | - | LED | LED |
| ● | ● | - | - | ● | - |
| 1 x LED chain | 1 x LED chain | - | - | 1 x 7 segment | 1 x LED chain |
| 7 | 5 | - | - | 5 | 5 |
| 6 | 4 | - | - | 4 | 4 |
| 6 | 5 | - | - | 4 | 4 |
| Plastic / Glass | Glass | - | - | Glass | Glass |
| Digital | Digital | - | - | Digital | - |
| - | - | - | - | ● | - |
| Automatic | Automatic | Automatic | Automatic | Automatic | Automatic |
| - | - | - | - | - | - |
| KEY FEATURES – FREEZER SECTION | | | | | |
| - | - | - | - | - | - |
| - | - | Visual and audible | Visual and audible | - | Acoustic |
| - | - | ● | ● | - | - |
| - | - | ● | ● | - | - |
| - | 1 | 1 | 1 | - | - |
| - | 1 | 2 | 2 | - | - |
| - | - | 5 | 5 | - | - |
| ADDITIONAL INFORMATION | | | | | |
| A F | A F | A E | A F | A E | A E |
| 116 kWh/a | 209 kWh/a | 243 kWh/a | 243 kWh/a | 123 kWh/a | 101 kWh/a |
| 319 | 286 | 212 | 212 | 204 | 204 |
| 319 | 286 | - | - | 211 | 204 |
| - | - | 212 | 212 | - | - |
| SN-T | SN-T | SN-T | SN-T | SN-ST | SN-ST |
| 37 dB | 39 dB | 35 dB | 36 dB | 35 dB | 35 dB |
| C | C | B | C | B | B |
| 3 x egg trays | 3 x egg trays, 1 x ice cube tray | 1 x ice cube tray | 2 x ice cube tray | 3 x egg tray | 3 x egg tray |
| 1772 | 1772 | 1772 | 1772 | 1221 | 1221 |
| 541 | 541 | 558 | 558 | 541 | 541 |
| 545 | 545 | 545 | 545 | 548 | 548 |

● = Yes - = No
¹ Actual energy consumption will depend on how the appliance is used and where it is located ² Climate zone SN = designed to operate in ambient temperatures of +10°C to 32°C. Climate zone T = designed to operate in ambient temperatures of +18°C to 43°C.
Data valid in this table as of April 2023. Subject to modification without prior notice.

● = Yes - = No
¹ Actual energy consumption will depend on how the appliance is used and where it is located ² Climate zone SN = designed to operate in ambient temperatures of +10°C to 32°C. Climate zone T = designed to operate in ambient temperatures of +18°C to 43°C.
Data valid in this table as of April 2023. Subject to modification without prior notice.

5 year warranty - Offer dates 01.04.23 - 31.03.24. T&C's apply. Online registration required. Selected models only.
 All models comply with COMMISSION REGULATION (EC) No 1275/2008 with regard to ecodesign requirements for standby and off mode electric power consumption.
 For full specification details, please log onto our website and download a full specification sheet.

5 year warranty - Offer dates 01.04.23 - 31.03.24. T&C's apply. Online registration required. Selected models only.
 All models comply with COMMISSION REGULATION (EC) No 1275/2008 with regard to ecodesign requirements for standby and off mode electric power consumption.
 For full specification details, please log onto our website and download a full specification sheet.



Available from October 2023

| TYPE | FRIDGE 122CM | FRIDGE 88CM | FRIDGE 88CM | FREEZER 87CM |
|---|---------------------------------|----------------------------------|--------------------|--------------------|
| DESIGN FAMILY | SERIES 2 | SERIES 4 | SERIES 2 | SERIES 6 |
| MODEL NUMBER | KIL42NSE0G | KIR21VFE0G | KIR21NSE0G | GIV21AFE0 |
| No Frost | - | - | - | - |
| Low Frost or Manual defrost | - | - | - | Low Frost |
| Soft Close hinge | - | - | - | - |
| Type of hinge (reversible) | Fixed hinge | Fixed hinge | Sliding hinge | Fixed hinge |
| Home Connect | - | - | - | - |
| FOOD FRESHNESS SYSTEM | | | | |
| VitaFresh / Fresh Safe / hyperFresh | MultiBox | 1 vegetable drawer | 1 vegetable drawer | - |
| KEY FEATURES – FRIDGE SECTION | | | | |
| Light | LED | LED | LED | - |
| Super Cool function | ● | ● | ● | - |
| Type of control | 1 x 7 segment | 1 x 7 segment | Non (mechanical) | - |
| Number of shelves | 4 | 3 | 3 | - |
| Number of adjustable shelves | 3 | 2 | 2 | - |
| Number of door bins / shelves | 4 | 2 | 2 | - |
| Type of shelves | Glass | Glass | Glass | - |
| Temperature display | Digital | Digital | - | - |
| Warning signal door open | ● | ● | ● | - |
| Defrost system in fridge | Automatic | Automatic | Automatic | - |
| Bottle shelves in fridge | - | - | - | - |
| KEY FEATURES – FREEZER SECTION | | | | |
| Light in freezer | LED | LED | - | - |
| Warning signal door open | - | - | - | Visual and audible |
| Super Freeze function | - | - | - | ● |
| Temperature adjustable in freezer | - | - | - | ● |
| Number of ice cube trays | 1 | - | - | 1 |
| Number of freezer flaps | 1 | - | - | - |
| Number of freezer drawers | - | - | - | 4 |
| ADDITIONAL INFORMATION | | | | |
| Energy efficiency class | | | | |
| Energy consumption annual kWh ¹ | 75 kWh/a | 117 kWh/a | 118 kWh/a | 157 kWh/a |
| Total net capacity including 0°C drawers (litres) | 187 | 136 | 136 | 97 |
| Refrigerator net capacity 0°C (litres) | 144 | 144 | 150 | - |
| Freezer net capacity (litres) | - | - | - | 102 |
| Climate class ² | SN-ST | SN-ST | SN-ST | SN-ST |
| Noise level dB(A) re 1 pW | 35 dB | 35 dB | 35 dB | 36 dB |
| Noise emission class | B | B | B | C |
| Additional accessories included | 3 x egg tray, 1 x ice cube tray | 3 x egg tray, 1 x bottle support | 3 x egg tray | 1 x ice cube tray |
| Height of product (mm) | 1221 | 874 | 874 | 874 |
| Width of product (mm) | 541 | 541 | 541 | 541 |
| Depth of product (mm) | 548 | 548 | 548 | 548 |

● = Yes - = No
¹ Actual energy consumption will depend on how the appliance is used and where it is located ² Climate zone SN = designed to operate in ambient temperatures of +10°C to 32°C. Climate zone T = designed to operate in ambient temperatures of +18°C to 43°C.
Data valid in this table as of April 2023. Subject to modification without prior notice.

| FREEZER 87CM | BUILT-UNDER FRIDGE 82CM | BUILT-UNDER FRIDGE 82CM | BUILT-UNDER FREEZER 82CM |
|---------------------------------------|---------------------------------|-------------------------|--|
| SERIES 4 | SERIES 6 | SERIES 6 | SERIES 6 |
| GIV21VSE0G | KUL15AFF0G | KUR15AFF0G | GUN21VFE0G |
| - | - | - | ● |
| Low Frost | - | - | - |
| - | - | - | - |
| Sliding hinge | Fixed hinge | Fixed hinge | Fixed hinge |
| - | - | - | - |
| FOOD FRESHNESS SYSTEM | | | |
| - | 1 vegetable drawer | 1 vegetable drawer | - |
| KEY FEATURES – FRIDGE SECTION | | | |
| - | LED | LED | - |
| - | - | - | - |
| - | Non (mechanical) | Non (mechanical) | - |
| - | 2 | 3 | - |
| - | 1 | 3 | - |
| - | 3 | 3 | - |
| - | Glass | Plastic / Glass | - |
| - | - | - | - |
| - | - | - | - |
| - | Automatic | Automatic | - |
| - | - | - | - |
| KEY FEATURES – FREEZER SECTION | | | |
| - | - | - | - |
| Visual and audible | - | - | Audible |
| ● | - | - | ● |
| ● | - | - | ● |
| 1 | 1 | - | 1 |
| - | 1 | - | - |
| 4 | - | - | 3 |
| ADDITIONAL INFORMATION | | | |
| | | | |
| 157 kWh/a | 140 kWh/a | 92 kWh/a | 190 kWh/a |
| 97 | 123 | 137 | 106 |
| - | 108 | 137 | - |
| 102 | 15 | - | 106 |
| SN-ST | SN-ST | SN-ST | SN-ST |
| 36 dB | 38 dB | 38 dB | 35 dB |
| C | C | C | B |
| 1 x ice cube tray | 1 x egg tray, 1 x ice cube tray | 1 x egg tray | 1 x ice cube tray, 2 x small ice packs |
| 874 | 820 | 820 | 820 |
| 541 | 598 | 598 | 598 |
| 542 | 548 | 548 | 548 |

● = Yes - = No
¹ Actual energy consumption will depend on how the appliance is used and where it is located ² Climate zone SN = designed to operate in ambient temperatures of +10°C to 32°C. Climate zone T = designed to operate in ambient temperatures of +18°C to 43°C.
Data valid in this table as of April 2023. Subject to modification without prior notice.



| TYPE | BUILT UNDER | BUILT UNDER |
|--|-----------------------------|-----------------------------|
| DESIGN FAMILY | SERIES 6 | SERIES 6 |
| MODEL NUMBER | KUW21AHG0G | KUW20VHFOG |
| Colour of side panels | Black | Black |
| Type of glass door | 3 glass panels, UV-filtered | 3 glass panels, UV-filtered |
| Style of handle | Vertical bar handle | Vertical bar handle |
| Colour of handle | Black | Black |
| Type of hinge (reversible) | Not fixed | Not fixed |
| Home connect | - | - |
| KEY FEATURES | | |
| Range of temperature (0°C) | 5 - 20 | 5 - 20 |
| Temperature zones | 2 | 1 |
| Light | LED | LED |
| Type of control | Digital | Digital |
| Number of shelves | 5 | 4 |
| Number of oak shelves | 3 | 3 |
| Number of adjustable shelves | - | - |
| Presenter shelf and lighting | - | - |
| Capacity in 0.75l (Bordeaux bottles) | 44 | 21 |
| Warning signal door open | ● | ● |
| Child lock | - | - |
| ADDITIONAL INFORMATION | | |
| Energy efficiency class | | |
| Energy consumption annual kWh ¹ | 130 | 100 |
| Refrigerator net capacity (litres) | 108 | 56 |
| Climate class ² | SN-ST | SN-ST |
| Noise level dB(A) re 1 pW | 38 | 38 |
| Noise emission class | C | C |
| Height of product (mm) | 818 | 818 |
| Width of product (mm) | 598 | 298 |
| Depth of product (mm) | 581 | 567 |

● = Yes - = No

¹ Actual energy consumption will depend on how the appliance is used and where it is located

² Climate zone SN = designed to operate in ambient temperatures of +10°C to 32°C.

Climate zone T = designed to operate in ambient temperatures of +18°C to 43°C.

Data valid in this table as of April 2023. Subject to modification without prior notice.

Multi-door fridge freezers



| TYPE | FRENCH | MULTI-DOOR | MULTI-DOOR | MULTI-DOOR |
|--|--|---|---|--------------------------------------|
| DESIGN FAMILY | SERIES 8 | SERIES 6 | SERIES 6 | SERIES 4 |
| MODEL NUMBER | KFF96PIEP | KFN96AXEA | KFN96APEAG | KFN96VPEAG |
| Colour of door panels | Inox, easy clean | Stainless steel, easy clean | Stainless steel, easy clean | Stainless steel, easy clean |
| Colour of sides | Inox | Cast iron | Cast iron | Grey |
| Style of handle | Horizontal and vertical bar handle | Horizontal and vertical bar handle | Horizontal and vertical bar handle | Horizontal and vertical bar handle |
| Colour of handle | Stainless steel | Black | Black | Black |
| No Frost in fridge and freezer | • | • | • | • |
| Home Connect, WiFi dongle included | • / - | • / - | • / - | - |
| FOOD FRESHNESS SYSTEM | | | | |
| VitaFresh / Fresh Safe / hyperFresh | 3 VitaFresh plus drawers with telescopic rails, 1 Chiller drawer | 2 VitaFresh plus drawers with telescopic rails, 1 BigBox drawer with telescopic rails | 2 VitaFresh plus drawers with telescopic rails, 1 BigBox drawer with telescopic rails | 1 VitaFresh drawer, 1 Chiller drawer |
| KEY FEATURES – FRIDGE SECTION | | | | |
| Light source | LED | LED | LED | LED |
| Water dispenser | Internal | - | - | - |
| SuperCool | • | • | • | • |
| Type of control | Electronic | Electronic | Electronic | Electronic |
| Number of shelves | 4 | 4 | 4 | 3 |
| Number of adjustable shelves | 3 | 3 | 3 | 2 |
| Shelves for bottles | 1 | - | - | - |
| Number of door bins / shelves | 6 | 4 | 5 | 4 |
| Temperature display | Digital | Digital 7 segment | Digital 7 segment | Digital 7 segment |
| Warning signal door open | Visual and audible | Visual and audible | Visual and audible | Visual and audible |
| KEY FEATURES – FREEZER SECTION | | | | |
| Door opened indicator | Visual and audible | Visual and audible | Visual and audible | Visual and audible |
| Super Freeze function | • | • | • | • |
| Temperature adjustable in freezer | • | • | • | • |
| Number of ice cube trays | Automatic ice cube maker | 1 | - | - |
| Ice dispenser features | Internal, Ice cubes | - | - | - |
| Number of freezer drawers | 3 | 6 | 6 | 6 |
| ADDITIONAL INFORMATION | | | | |
| Energy efficiency class | A G E | A G E | A G E | A G E |
| Energy consumption annual kWh ¹ | 333 kWh/a | 333 kWh/a | 333 kWh/a | 333 kWh/a |
| Total net capacity (litres) | 573 | 605 | 605 | 605 |
| Refrigerator net capacity (litres) | 402 | 405 | 405 | 405 |
| Freezer net capacity (litres) | 171 | 200 | 200 | 200 |
| Climate class ² | SN-T | SN-T | SN-T | SN-T |
| Noise level dB(A) re 1 pW | 39 dB | 38 dB | 38 dB | 38 dB |
| Noise emission class | C | C | C | C |
| Additional accessories included | - | 3 x egg tray | 3 x egg tray | 3 x egg tray |
| Height of product (mm) | 1830 | 1830 | 1830 | 1830 |
| Width of product (mm) | 905 | 905 | 905 | 905 |
| Depth of product (mm) | 706 | 731 | 731 | 731 |

• = Yes - = No
¹ Actual energy consumption will depend on how the appliance is used and where it is located² Climate zone SN = designed to operate in ambient temperatures of +10°C to 32°C. Climate zone T = designed to operate in ambient temperatures of +18°C to 43°C.
Data valid in this table as of April 2023. Subject to modification without prior notice.

5 year warranty - Offer dates 01.04.23 – 31.03.24. T&C's apply. Online registration required. Selected models only.
 All models comply with COMMISSION REGULATION (EC) No 1275/2008 with regard to ecodesign requirements for standby and off mode electric power consumption.
 For full specification details, please log onto our website and download a full specification sheet.

Explore more at [bosch-home.ie](https://www.bosch-home.ie)

American fridge freezers



| AMERICAN | AMERICAN | AMERICAN | AMERICAN | AMERICAN |
|--|---|---|-------------------------------|-----------------------------|
| SERIES 6 | SERIES 6 | SERIES 6 | SERIES 6 | SERIES 4 |
| KAG93AIEPG | KAD93VIFPG | KAD93VBFPG | KAI93VIFPG | KAN93VIFPG |
| Stainless steel, easy clean | Stainless steel, easy clean | Black | Stainless steel, easy clean | Stainless steel, easy clean |
| Grey | Grey | Grey | Grey | Grey |
| Vertical bar handle | Vertical bar handle | Vertical bar handle | Vertical bar handle | Vertical bar handle |
| Stainless steel | Stainless steel | Stainless steel | Stainless steel | Stainless steel |
| • | • | • | • | • |
| - | - | - | - | - |
| FOOD FRESHNESS SYSTEM | | | | |
| 2 MultiBox drawer on rails | 2 MultiBox drawers on rails | 2 MultiBox drawers on rails | 2 MultiBox drawers on rails | 2 MultiBox drawers on rails |
| KEY FEATURES – FRIDGE SECTION | | | | |
| LED | LED | LED | LED | LED |
| • | • | • | • | • |
| • | • | • | • | • |
| Electronic | Electronic | Electronic | Electronic | Electronic |
| 5 | 5 | 5 | 5 | 5 |
| • | - | - | - | - |
| 1 | - | - | - | - |
| 5 | - | - | - | - |
| Digital | Digital | Digital | Digital | Digital |
| Visual and acoustic | Visual and acoustic | Visual and audible | Visual and audible | Visual and audible |
| KEY FEATURES – FREEZER SECTION | | | | |
| - | - | Visual and audible | Visual and audible | Visual and audible |
| • | • | • | • | • |
| • | • | • | • | • |
| Automatic ice cube maker | Automatic ice cube maker | Automatic ice cube maker | Automatic ice cube maker | - |
| Crushed ice, Homebar, Ice cubes, Water, Water filter | Crushed ice, Ice cubes, Water, Water filter | Crushed ice, Ice cubes, Water, Water filter | Crushed ice, Ice cubes, Water | - |
| 2 | 2 | 2 | 2 | - |
| ADDITIONAL INFORMATION | | | | |
| A G E | A G F | A G F | A G F | A G F |
| 343 kWh/a | 436 kWh/a | 436 kWh/a | 343 kWh/a | 363 kWh/a |
| 531 | 533 | 533 | 533 | 560 |
| 366 | 368 | 368 | 371 | 371 |
| 191 | 191 | 191 | 165 | 208 |
| SN-T | SN-T | SN-T | SN-T | SN-T |
| 42 dB | 42 dB | 42 dB | 42 dB | 42 dB |
| D | D | D | D | D |
| 1 x connection hose, 1 x egg tray | 1 x connection hose, 1 x egg tray | 1 x connection hose, 1 x egg tray | 1 x egg tray | 1 x egg tray |
| 1787 | 1787 | 1787 | 1787 | 1787 |
| 908 | 908 | 908 | 908 | 908 |
| 707 | 707 | 707 | 707 | 707 |

• = Yes - = No
¹ Actual energy consumption will depend on how the appliance is used and where it is located² Climate zone SN = designed to operate in ambient temperatures of +10°C to 32°C. Climate zone T = designed to operate in ambient temperatures of +18°C to 43°C.
Data valid in this table as of April 2023. Subject to modification without prior notice.

5 year warranty - Offer dates 01.04.23 – 31.03.24. T&C's apply. Online registration required. Selected models only.
 All models comply with COMMISSION REGULATION (EC) No 1275/2008 with regard to ecodesign requirements for standby and off mode electric power consumption.
 For full specification details, please log onto our website and download a full specification sheet.

Making **life easy** through innovative technologies



| TYPE | FRIDGE FREEZER | FRIDGE FREEZER |
|--|--|---|
| DESIGN FAMILY | SERIES 4 | SERIES 4 |
| MODEL | KGN86VIEA | KGN497WDFG |
| Colour | Stainless steel look | White |
| DESIGN FEATURES | | |
| Fridge / Freezer split | 70 / 30 | 70 / 30 |
| Frost-free system | No Frost | No Frost |
| Colour of side panels | Chrome inox metallic | Chrome inox metallic |
| Door handle type | Integrated | Integrated Vertical |
| Temperature display | Interior / Digital LCD | Exterior / Digital LED |
| Reversible door, hinged on right | • | • |
| Latest Condenser Technology | • | • |
| Home Connect / Built in cameras | - | - |
| FOOD FRESHNESS SYSTEM | | |
| Food preservation container | 1 x VitaFresh 0°C drawers, 1 x VitaFresh vegetable drawers | 1 x VitaFresh 0°C drawers, 1 x VitaFresh vegetable drawer |
| KEY FEATURES – FRIDGE SECTION | | |
| LED light | • | • |
| Super Cool function | • | • |
| Bottle rack | • | • |
| Number of glass safety shelves | 3 | 4 |
| Number of adjustable shelves | 2 | 3 |
| Number of door bins large / small | 1 / 3 | 1 / 3 |
| Dairy compartment | - | - |
| Number of egg racks | 3 | 3 |
| KEY FEATURES – FREEZER SECTION | | |
| Number of freezer drawers including BigBox / EasyAccess | 2 | 2 |
| Super Freeze function | • | • |
| Number of ice packs / ice cube trays | 2 / 2 | 2 / 1 |
| FUNCTIONS | | |
| Door open warning signal / malfunction | • | • |
| Holiday mode | • | - |
| PERFORMANCE AND CONSUMPTION | | |
| Energy efficiency class | A | D |
| Annual energy consumption ¹ (kWh) | 378 | 222 |
| Total unit net capacity (litres) | 619 | 440 |
| Refrigerator net capacity including 0°C drawers (litres) | 479 | 400 |
| Freezer net capacity (litres) | 140 | 108 |
| Climate Class ² | SN-T | SN-T |
| Noise level (dB(A) re 1 pW) | 42 | 35 |
| Noise Emission Class | D | B |
| Dimensions of the product (H x W x D) (cm) | 186 x 86 x 81 | 193 x 70 x 80 |
| EAN code | 4242005248278 | 4242005348619 |

• = Yes - = No
¹ Actual energy consumption will depend on how the appliance is used and where it is located ² Climate zone SN = designed to operate in ambient temperatures of +10°C to 32°C. Climate zone T = designed to operate in ambient temperatures of +18°C to 43°C.
Data valid in this table as of April 2023. Subject to modification without prior notice.

| TYPE | FRIDGE FREEZER | FRIDGE FREEZER | FRIDGE FREEZER |
|--|---|--|---|
| DESIGN FAMILY | SERIES 4 | SERIES 4 | SERIES 6 |
| MODEL | KGN390XBT | KGN39VXBT | KGN39AIAT |
| Colour | Black | Black stainless steel | Stainless steel |
| DESIGN FEATURES | | | |
| Fridge / Freezer split | 70 / 30 | 70 / 30 | 60 / 40 |
| Frost-free system | No Frost | No Frost | No Frost |
| Colour of side panels | White | Chrome inox metallic | Chrome inox metallic |
| Door handle type | Vertical Bar | Vertical Bar | Vertical Bar |
| Temperature display | Interior / Digital LED | Interior / Digital LED | Interior / Digital LED |
| Reversible door, hinged on right | • | - | • |
| Latest Condenser Technology | • | • | • |
| Home Connect / Built in cameras | - | - | - |
| FOOD FRESHNESS SYSTEM | | | |
| Food preservation container | 1 x VitaFresh 0°C drawers, 1 x VitaFresh vegetable drawer | 1 x VitaFresh Plus 0°C drawer, 1 x VitaFresh Plus vegetable drawer | 1 x VitaFresh 0°C drawers, 1 x VitaFresh vegetable drawer |
| KEY FEATURES – FRIDGE SECTION | | | |
| LED light | • | • | • |
| Super Cool function | • | • | • |
| Bottle rack | • | • | • |
| Number of glass safety shelves | 5 | 5 | 5 |
| Number of adjustable shelves | 4 | 3 | 3 |
| Number of door bins large / small | 1 / 3 | 1 / 3 | 1 / 3 |
| Dairy compartment | - | • | - |
| Number of egg racks | 3 | 3 | 3 |
| KEY FEATURES – FREEZER SECTION | | | |
| Number of freezer drawers including BigBox / EasyAccess | 3 | 3 | 3 |
| Super Freeze function | • | • | • |
| Number of ice packs / ice cube trays | - / 1 | 2 / 1 | - / 1 |
| FUNCTIONS | | | |
| Door open warning signal / malfunction | • | • | • |
| Holiday mode | - | • | - |
| PERFORMANCE AND CONSUMPTION | | | |
| Energy efficiency class | A | B | A |
| Annual energy consumption ¹ (kWh) | 129 | 129 | 129 |
| Total unit net capacity (litres) | 363 | 363 | 363 |
| Refrigerator net capacity including 0°C drawers (litres) | 330 | 279 | 279 |
| Freezer net capacity (litres) | 108 | 89 | 89 |
| Climate Class ² | SN-T | SN-T | SN-T |
| Noise level (dB(A) re 1 pW) | 33 | 33 | 29 |
| Noise Emission Class | B | B | A |
| Dimensions of the product (H x W x D) (cm) | 203 x 60 x 66.5 | 203 x 60 x 66.5 | 203 x 60 x 66.5 |
| EAN code | 4242005378371 | 4242005334292 | 4242005325443 |

• = Yes - = No
¹ Actual energy consumption will depend on how the appliance is used and where it is located ² Climate zone SN = designed to operate in ambient temperatures of +10°C to 32°C. Climate zone T = designed to operate in ambient temperatures of +18°C to 43°C.
Data valid in this table as of April 2023. Subject to modification without prior notice.

5 year warranty - Offer dates 01.04.23 – 31.03.24. T&C's apply. Online registration required. Selected models only.
 All models comply with COMMISSION REGULATION (EC) No 1275/2008 with regard to ecodesign requirements for standby and off mode electric power consumption.
 For full specification details, please log onto our website and download a full specification sheet.



| TYPE | FRIDGE FREEZER | FRIDGE FREEZER | FRIDGE FREEZER | FRIDGE FREEZER |
|--|---|---|---|---|
| DESIGN FAMILY | SERIES 6 | SERIES 4 | SERIES 4 | SERIES 4 |
| MODEL | KGN39AWCTG | KGN397LDFG | KGN392LDFG | KGN392WDFG |
| Door colour | White | Inox look | Inox look | White |
| DESIGN FEATURES | | | | |
| Fridge / Freezer split | 60 / 40 | 70 / 30 | 70 / 30 | 70 / 30 |
| Frost-free system | No Frost | No Frost | No Frost | No Frost |
| Colour of side panels | White | Inox look | Inox look | White |
| Door handle type | Vertical Bar | Integrated Vertical | Integrated Vertical | Integrated Vertical |
| Temperature display | Exterior / Digital LED | Exterior / Digital LED | Interior / Digital LED | Interior / Digital LED |
| Reversible door, hinged on right | • | • | • | • |
| Latest Condenser Technology | • | • | • | • |
| Home Connect / Built in cameras | - | - | - | - |
| FOOD FRESHNESS SYSTEM | | | | |
| Food preservation container | 1 x VitaFresh 0°C drawers, 1 x VitaFresh vegetable drawer | 1 x VitaFresh 0°C drawers, 1 x VitaFresh vegetable drawer | 1 x VitaFresh 0°C drawers, 1 x VitaFresh vegetable drawer | 1 x VitaFresh 0°C drawers, 1 x VitaFresh vegetable drawer |
| KEY FEATURES – FRIDGE SECTION | | | | |
| LED light | • | • | • | • |
| Super Cool function | • | • | • | • |
| Bottle rack | • | • | • | • |
| Number of glass safety shelves | 5 | 5 | 5 | 5 |
| Number of adjustable shelves | 3 | 3 | 3 | 3 |
| Number of door bins large / small | 1 / 3 | 1 / 3 | 1 / 3 | 1 / 3 |
| Dairy compartment | • | • | • | • |
| Number of egg racks | 3 | 3 | 3 | 3 |
| KEY FEATURES – FREEZER SECTION | | | | |
| Number of freezer drawers including BigBox / EasyAccess | 3 | 3 | 3 | 3 |
| Super Freeze function | • | • | • | • |
| Number of ice packs / ice cube trays | - / 1 | - / 1 | - / 1 | - / 1 |
| FUNCTIONS | | | | |
| Door open warning signal / malfunction | • | • | • | • |
| Holiday / Sabbath mode | • | • | - / • | - / • |
| PERFORMANCE AND CONSUMPTION | | | | |
| Energy efficiency class | A G C | A G D | A G D | A G D |
| Annual energy consumption ¹ (kWh) | 162 | 202 | 202 | 202 |
| Total unit net capacity (litres) | 363 | 363 | 363 | 363 |
| Refrigerator net capacity including 0°C drawers (litres) | 279 | 280 | 280 | 280 |
| Freezer net capacity (litres) | 89 | 119 | 119 | 119 |
| Climate Class ² | SN-T | SN-T | SN-T | SN-T |
| Noise level (dB(A) re 1 pW) | 35 | 35 | 35 | 35 |
| Noise Emission Class | B | B | B | B |
| Dimensions of the product (H x W x D) (cm) | 203 x 60 x 66 | 203 x 60 x 66 | 203 x 60 x 66 | 203 x 60 x 66 |
| EAN code | 4242005281626 | 4242005307326 | 4242005284320 | 4242005281633 |

• = Yes - = No
¹ Actual energy consumption will depend on how the appliance is used and where it is located² Climate zone SN = designed to operate in ambient temperatures of +10°C to 32°C. Climate zone T = designed to operate in ambient temperatures of +18°C to 43°C.
Data valid in this table as of April 2023. Subject to modification without prior notice.

5 year warranty - Offer dates 01.04.23 - 31.03.24. T&C's apply. Online registration required. Selected models only.
 All models comply with COMMISSION REGULATION (EC) No 1275/2008 with regard to ecodesign requirements for standby and off mode electric power consumption.
 For full specification details, please log onto our website and download a full specification sheet.

| TYPE | FRIDGE FREEZER | FRIDGE FREEZER | FRIDGE FREEZER | FRIDGE FREEZER |
|--|---|--|--|--|
| DESIGN FAMILY | SERIES 4 | SERIES 4 | SERIES 4 | SERIES 4 |
| MODEL | KGN362IDFG | KGN362LDFG | KGN36VLDTG | KGN362WDFG |
| Colour | Stainless steel | Inox look | Inox look | White |
| DESIGN FEATURES | | | | |
| Fridge / Freezer split | 70 / 30 | 70 / 30 | 70 / 30 | 70 / 30 |
| Frost-free system | No Frost | No Frost | No Frost | No Frost |
| Colour of side panels | Chrome inox metallic | - | - | - |
| Door handle type | Integrated Vertical | Integrated Vertical | Vertical bar handle | Integrated Vertical |
| Temperature display | Interior / Digital LED | Interior / Digital LED | Interior / Digital LED | Interior / Digital LED |
| Reversible door, hinged on right | • | • | • | • |
| Latest Condenser Technology | • | • | • | • |
| Home Connect / Built in cameras | - | - | - | - |
| FOOD FRESHNESS SYSTEM | | | | |
| Food preservation container | 1 x VitaFresh 0°C drawers, 1 x VitaFresh vegetable drawer | 1 x VitaFresh 0°C drawer, 1 x VitaFresh vegetable drawer | 1 x VitaFresh 0°C drawer, 1 x VitaFresh vegetable drawer | 1 x VitaFresh 0°C drawer, 1 x VitaFresh vegetable drawer |
| KEY FEATURES – FRIDGE SECTION | | | | |
| LED light | • | • | • | • |
| Super Cool function | • | • | • | • |
| Bottle rack | • | • | • | • |
| Number of glass safety shelves | 4 | 4 | 4 | 4 |
| Number of adjustable shelves | 2 | 2 | 2 | 2 |
| Number of door bins large / small | 1 / 2 | 1 / 2 | 1 / 2 | 1 / 2 |
| Dairy compartment | • | • | • | • |
| Number of egg racks | 3 | 3 | 3 | 3 |
| KEY FEATURES – FREEZER SECTION | | | | |
| Number of freezer drawers including BigBox / EasyAccess | 3 | 3 | 3 | 3 |
| Super Freeze function | • | • | • | • |
| Number of ice packs / ice cube trays | - / • | - / 1 | - / 1 | - / 1 |
| FUNCTIONS | | | | |
| Door open warning signal / malfunction | • | • | • | • |
| Holiday / Sabbath mode | - / • | - / • | - / • | - / • |
| PERFORMANCE AND CONSUMPTION | | | | |
| Energy efficiency class | A G D | A G D | A G D | A G D |
| Annual energy consumption ¹ (kWh) | 199 | 199 | 199 | 199 |
| Total unit net capacity (litres) | 321 | 321 | 321 | 321 |
| Refrigerator net capacity including 0°C drawers (litres) | 218 | 218 | 218 | 218 |
| Refrigerator 0°C net capacity (litres) | 103 | 103 | 103 | 103 |
| Freezer net capacity (litres) | 103 | 103 | 103 | 103 |
| Climate Class ² | SN-T | SN-T | SN-T | SN-T |
| Noise level (dB(A) re 1 pW) | 35 | 35 | 35 | 35 |
| Noise Emission Class | B | B | B | B |
| Dimensions of the product (H x W x D) (cm) | 186 x 60 x 66 | 186 x 60 x 66 | 186 x 60 x 66 | 186 x 60 x 66 |
| EAN code | 4242005281596 | 4242005281589 | 4242005281565 | 4242005281640 |

• = Yes - = No
¹ Actual energy consumption will depend on how the appliance is used and where it is located² Climate zone SN = designed to operate in ambient temperatures of +10°C to 32°C. Climate zone T = designed to operate in ambient temperatures of +18°C to 43°C.
Data valid in this table as of April 2023. Subject to modification without prior notice.

All models comply with COMMISSION REGULATION (EC) No 1275/2008 with regard to ecodesign requirements for standby and off mode electric power consumption.
 For full specification details, please log onto our website and download a full specification sheet.



| TYPE | FRIDGE FREEZER | FRIDGE FREEZER | FRIDGE FREEZER | FRIDGE FREEZER |
|--|-------------------------------|-------------------------------|-------------------------------|-------------------------------|
| DESIGN FAMILY | SERIES 2 | SERIES 2 | SERIES 2 | SERIES 2 |
| MODEL | KG36NWEAG | KG34NLEAG | KG34NWEAG | KG33NLEAG |
| Colour | White | Inox look | White | Inox look |
| DESIGN FEATURES | | | | |
| Fridge / Freezer split | 60 / 40 | 50 / 50 | 50 / 50 | 50 / 50 |
| Frost-free system | No Frost | No Frost | No Frost | No Frost |
| Colour of side panels | White | Pearl grey | White | Pearl grey |
| Door handle type | Integrated Horizontal | Integrated Horizontal | Integrated Horizontal | Integrated Horizontal |
| Temperature display | Interior / Electronic LED | Interior / Electronic LED | Interior / Electronic LED | Interior / Electronic LED |
| Reversible door, hinged on right | • | • | • | • |
| Latest Condenser Technology | • | • | • | • |
| Home Connect / Built in cameras | - | - | - | - |
| FOOD FRESHNESS SYSTEM | | | | |
| Food preservation container | 1 x MultiBox vegetable drawer | 1 x MultiBox vegetable drawer | 1 x MultiBox vegetable drawer | 1 x MultiBox vegetable drawer |
| KEY FEATURES – FRIDGE SECTION | | | | |
| LED light | • | • | • | • |
| Super Cool function | - | - | - | - |
| Bottle rack | - | - | - | - |
| Number of glass safety shelves | 4 | 4 | 4 | 3 |
| Number of adjustable shelves | 3 | 2 | 2 | 2 |
| Number of door bins large / small | 1 / 3 | 1 / 2 | 1 / 3 | 1 / 2 |
| Dairy compartment | • | • | • | • |
| Number of egg racks | 3 | 3 | 3 | 3 |
| KEY FEATURES – FREEZER SECTION | | | | |
| Number of freezer drawers including BigBox / EasyAccess | 3 | 3 | 3 | 3 |
| Super Freeze function | • | • | • | • |
| Number of ice packs / ice cube trays | - / - | - / 1 | - / 1 | - |
| FUNCTIONS | | | | |
| Door open warning signal / malfunction | • | • | • | • |
| Holiday / Sabbath mode | - | - | - | - |
| PERFORMANCE AND CONSUMPTION | | | | |
| Energy efficiency class | A G E | A G E | A G E | A G E |
| Annual energy consumption ¹ (kWh) | 235 | 242 | 242 | 228 |
| Total unit net capacity (litres) | 302 | 297 | 297 | 279 |
| Refrigerator net capacity including 0°C drawers (litres) | 193 | 193 | 192 | 193 |
| Refrigerator 0°C net capacity (litres) | 107 | 107 | 105 | 89 |
| Freezer net capacity (litres) | 107 | 107 | 105 | 89 |
| Climate Class ² | SN-T | SN-T | SN-T | SN-T |
| Noise level (dB(A) re 1 pW) | 42 | 42 | 42 | 41 |
| Noise Emission Class | D | D | D | D |
| Dimensions of the product (H x W x D) (cm) | 186 x 60 x 66 | 186 x 60 x 66 | 186 x 60 x 66 | 176 x 60 x 66 |
| EAN code | 4242005196685 | 4242005183326 | 4242005196722 | 4242005196500 |

• = Yes - = No
¹ Actual energy consumption will depend on how the appliance is used and where it is located ² Climate zone SN = designed to operate in ambient temperatures of +10°C to 32°C. Climate zone T = designed to operate in ambient temperatures of +18°C to 43°C.
Data valid in this table as of April 2023. Subject to modification without prior notice.

All models comply with COMMISSION REGULATION (EC) No 1275/2008 with regard to ecodesign requirements for standby and off mode electric power consumption. For full specification details, please log onto our website and download a full specification sheet.

| TYPE | FRIDGE FREEZER | FRIDGE FREEZER | FRIDGE FREEZER | FRIDGE FREEZER |
|--|-------------------------------|---------------------------|----------------------|----------------------|
| DESIGN FAMILY | SERIES 2 | SERIES 2 | SERIES 2 | SERIES 2 |
| MODEL | KG33NWEAG | KG27NBEAG | KG27NLEAG | KG27NWEAG |
| Colour | White | Black | Inox look | White |
| DESIGN FEATURES | | | | |
| Fridge / Freezer split | 50 / 50 | 50 / 50 | 50 / 50 | 50 / 50 |
| Frost-free system | No Frost | No Frost | No Frost | No Frost |
| Colour of side panels | White | Black | Chrome inox metallic | White |
| Door handle type | Integrated Horizontal | Integrated Vertical | Integrated Vertical | Integrated Vertical |
| Temperature display | Interior / Electronic LED | Interior / Electronic LED | - | - |
| Reversible door, hinged on right | • | • | • | - |
| Latest Condenser Technology | • | • | • | • |
| Home Connect / Built in cameras | - | - | - | - |
| FOOD FRESHNESS SYSTEM | | | | |
| Food preservation container | 1 x MultiBox vegetable drawer | 1 x vegetable drawer | 1 x vegetable drawer | 1 x vegetable drawer |
| KEY FEATURES – FRIDGE SECTION | | | | |
| LED light | • | • | • | • |
| Super Cool function | - | - | - | - |
| Bottle rack | - | • | • | • |
| Number of glass safety shelves | 3 | 4 | 3 | 3 |
| Number of adjustable shelves | 2 | 0 | - | - |
| Number of door bins large / small | 1 / 2 | 1 / 2 | 1 / 2 | 1 / 2 |
| Dairy compartment | • | • | • | • |
| Number of egg racks | 3 | 3 | 3 | 3 |
| KEY FEATURES – FREEZER SECTION | | | | |
| Number of freezer drawers including BigBox / EasyAccess | 3 | 4 | 4 | 4 |
| Super Freeze function | • | - | - | - |
| Number of ice packs / ice cube trays | - | - / 1 | - | - |
| FUNCTIONS | | | | |
| Door open warning signal / malfunction | • | - | - | - |
| Holiday / Sabbath mode | - | - | - | - |
| PERFORMANCE AND CONSUMPTION | | | | |
| Energy efficiency class | A G E | A G E | A G E | A G E |
| Annual energy consumption ¹ (kWh) | 228 | 287 | 256 | 287 |
| Total unit net capacity (litres) | 279 | 255 | - | 256 |
| Refrigerator net capacity including 0°C drawers (litres) | 193 | 171 | 171 | 171 |
| Refrigerator 0°C net capacity (litres) | 89 | 84 | 84 | 86 |
| Freezer net capacity (litres) | 89 | 86 | 84 | 86 |
| Climate Class ² | SN-T | SN-T | SN-T | SN-T |
| Noise level (dB(A) re 1 pW) | 42 | 41 | 41 | 41 |
| Noise Emission Class | D | C | C | C |
| Dimensions of the product (H x W x D) (cm) | 176 x 60 x 66 | 182 x 55 x 56 | 182 x 55 x 56 | 182 x 55 x 56 |
| EAN code | 4242005196524 | 4242005417988 | 4242005417575 | 4242005417995 |

• = Yes - = No
¹ Actual energy consumption will depend on how the appliance is used and where it is located ² Climate zone SN = designed to operate in ambient temperatures of +10°C to 32°C. Climate zone T = designed to operate in ambient temperatures of +18°C to 43°C.
Data valid in this table as of April 2023. Subject to modification without prior notice.

All models comply with COMMISSION REGULATION (EC) No 1275/2008 with regard to ecodesign requirements for standby and off mode electric power consumption. For full specification details, please log onto our website and download a full specification sheet.



| TYPE | FRIDGE FREEZER | FRIDGE FREEZER | FRIDGE FREEZER |
|--|--|--|--------------------------------|
| DESIGN FAMILY | SERIES 6 | SERIES 6 | SERIES 4 |
| MODEL | KGE49AICAG | KGE49AWCAG | KGV39VLEAG |
| Colour | Stainless steel, easy clean | White | Inox look |
| DESIGN FEATURES | | | |
| Fridge / Freezer split | 70 / 30 | 70 / 30 | 70 / 30 |
| Frost-free system | Low Frost | Low Frost | Low Frost |
| Colour of side panels | Chrome inox metallic | White | Chrome inox metallic |
| Door handle type | Integrated Vertical | Integrated Vertical | Integrated Vertical |
| Temperature display | Interior / Digital LED | Interior / Digital LED | Interior / Electronic LED |
| Reversible door, hinged on right | ● | ● | ● |
| Latest Condenser Technology | - | - | - |
| Home Connect / Built in cameras | - | - | - |
| FOOD FRESHNESS SYSTEM | | | |
| Food preservation container | 1 x VitaFresh 0°C drawer, 1 x VitaFresh vegetable drawer | 1 x VitaFresh 0°C drawer, 1 x VitaFresh vegetable drawer | 1 x VitaFresh vegetable drawer |
| KEY FEATURES – FRIDGE SECTION | | | |
| LED light | ● | ● | ● |
| Super Cool function | ● | ● | - |
| Bottle rack | ● | ● | ● |
| Number of glass safety shelves | 5 | 5 | 5 |
| Number of adjustable shelves | 2 | 2 | 2 |
| Number of door bins large / small | 1/3 | 1/3 | 1/3 |
| Dairy compartment | ● | ● | ● |
| Number of egg racks | 3 | 3 | 3 |
| KEY FEATURES – FREEZER SECTION | | | |
| Number of freezer drawers including BigBox / EasyAccess | 3 | 3 | 3 |
| Super Freeze function | ● | ● | ● |
| Number of ice packs / ice cube trays | 2/- | 2/- | - |
| FUNCTIONS | | | |
| Door open warning signal / malfunction | ● | ● | - |
| Holiday / Sabbath mode | ●/- | ●/- | - |
| PERFORMANCE AND CONSUMPTION | | | |
| Energy efficiency class | | | |
| Annual energy consumption ¹ (kWh) | 190 | 190 | 238 |
| Total unit net capacity (litres) | 413 | 413 | 342 |
| Refrigerator net capacity including 0°C drawers (litres) | 302 | 302 | - |
| Refrigerator 0°C net capacity (litres) | 28 | 28 | 89 |
| Freezer net capacity (litres) | 117 | 117 | 297 |
| Climate Class ² | SN-T | SN-T | SN-T |
| Noise level (dB(A) re 1 pW) | 38 | 38 | 39 |
| Noise Emission Class | C | C | C |
| Dimensions of the product (H x W x D) (cm) | 201 x 70 x 65 | 201 x 70 x 65 | 201 x 60 x 65 |
| EAN code | 4242005219056 | 4242005215935 | 4242005197620 |

● = Yes - = No
¹ Actual energy consumption will depend on how the appliance is used and where it is located ² Climate zone SN = designed to operate in ambient temperatures of +10°C to 32°C. Climate zone T = designed to operate in ambient temperatures of +18°C to 43°C.
Data valid in this table as of April 2023. Subject to modification without prior notice.

All models comply with COMMISSION REGULATION (EC) No 1275/2008 with regard to ecodesign requirements for standby and off mode electric power consumption. For full specification details, please log onto our website and download a full specification sheet.

| TYPE | FRIDGE FREEZER | FRIDGE FREEZER | FRIDGE FREEZER |
|--|--------------------------------|--------------------------------|--------------------------------|
| DESIGN FAMILY | SERIES 4 | SERIES 4 | SERIES 4 |
| MODEL | KGV39VWEAG | KGV33VLEAG | KGV336WEAG |
| Colour | White | Inox look | White |
| DESIGN FEATURES | | | |
| Fridge / Freezer split | 70 / 30 | 50 / 50 | 50 / 50 |
| Frost-free system | Low Frost | Low Frost | Low Frost |
| Colour of side panels | White | Chrome inox metallic | White |
| Door handle type | Integrated Vertical | Integrated Vertical | Integrated Vertical |
| Temperature display | Interior / Electronic LED | Interior / Electronic LED | Interior / Electronic LED |
| Reversible door, hinged on right | ● | ● | ● |
| Latest Condenser Technology | - | - | - |
| Home Connect / Built in cameras | - | - | - |
| FOOD FRESHNESS SYSTEM | | | |
| Food preservation container | 1 x VitaFresh vegetable drawer | 1 x VitaFresh vegetable drawer | 1 x VitaFresh vegetable drawer |
| KEY FEATURES – FRIDGE SECTION | | | |
| LED light | ● | ● | ● |
| Super Cool function | - | - | - |
| Bottle rack | ● | ● | ● |
| Number of glass safety shelves | 5 | 4 | 4 |
| Number of adjustable shelves | - | 2 | 2 |
| Number of door bins large / small | 1/3 | 1/2 | 2/1 |
| Dairy compartment | ● | ● | ● |
| Number of egg racks | 3 | 3 | 3 |
| KEY FEATURES – FREEZER SECTION | | | |
| Number of freezer drawers including BigBox / EasyAccess | 3 | 3 | 3 |
| Super Freeze function | ● | ● | ● |
| Number of ice packs / ice cube trays | - | - | - |
| FUNCTIONS | | | |
| Door open warning signal / malfunction | - | - | - |
| Holiday / Sabbath mode | - | - | - |
| PERFORMANCE AND CONSUMPTION | | | |
| Energy efficiency class | | | |
| Annual energy consumption ¹ (kWh) | 238 | 219 | 219 |
| Total unit net capacity (litres) | 368 | 287 | - |
| Refrigerator net capacity including 0°C drawers (litres) | 89 | 195 | 195 |
| Refrigerator 0°C net capacity (litres) | - | - | 287 |
| Freezer net capacity (litres) | 248 | 94 | 94 |
| Climate Class ² | SN-T | SN-T | SN-T |
| Noise level (dB(A) re 1 pW) | 39 | 39 | 39 |
| Noise Emission Class | C | C | C |
| Dimensions of the product (H x W x D) (cm) | 201 x 60 x 65 | 176 x 60 x 65 | 176 x 60 x 65 |
| EAN code | 4242005197712 | 4242005237159 | 4242005197330 |

● = Yes - = No
¹ Actual energy consumption will depend on how the appliance is used and where it is located ² Climate zone SN = designed to operate in ambient temperatures of +10°C to 32°C. Climate zone T = designed to operate in ambient temperatures of +18°C to 43°C.
Data valid in this table as of April 2023. Subject to modification without prior notice.

All models comply with COMMISSION REGULATION (EC) No 1275/2008 with regard to ecodesign requirements for standby and off mode electric power consumption. For full specification details, please log onto our website and download a full specification sheet.



| TYPE | FRIDGE | FRIDGE | FRIDGE | FRIDGE |
|--|---|--------------------------------|--------------------------------|-------------------------------|
| DESIGN FAMILY | SERIES 6 | SERIES 4 | SERIES 4 | SERIES 2 |
| MODEL | KSV36AWEPG | KSV36VLEP | KSV36VWEPG | KSV36NWEPG |
| Colour | White | Inox look | White | White |
| DESIGN FEATURES | | | | |
| Colour of side panels | White | Chrome inox metallic | White | White |
| Door handle type | Vertical Bar | Vertical Bar | Vertical Bar | Vertical Bar |
| Temperature display | Interior / Digital LED | Interior / Electronic LED | Interior / Electronic LED | Interior / Electronic LED |
| Reversible door, hinged on left | • | • | • | • |
| Latest Condenser Technology | • | • | • | • |
| Home Connect / Built in cameras | - | - | - | - |
| FOOD FRESHNESS SYSTEM | | | | |
| Food preservation container | 1 x VitaFresh Plus, 1 x MultiBox vegetable drawer | 1 x VitaFresh vegetable drawer | 1 x VitaFresh vegetable drawer | 1 x MultiBox vegetable drawer |
| KEY FEATURES – FRIDGE SECTION | | | | |
| LED light | • | • | • | • |
| Super Cool function | • | • | • | • |
| Bottle rack | • | • | • | - |
| Number of glass safety shelves | 7 | 7 | 7 | 6 |
| Number of adjustable shelves | 4 | 5 | 5 | 5 |
| Number of door bins large / small | 2 / 2 | 2 / 2 | 2 / 2 | 2 / 3 |
| flex Shelf | - | - | - | - |
| Dairy compartment | • | • | • | - |
| Number of egg racks | 3 | 3 | 3 | 3 |
| FUNCTIONS | | | | |
| Door open warning signal / malfunction | • | - | - | - |
| Holiday / Sabbath mode | - | - | - | - |
| PERFORMANCE AND CONSUMPTION | | | | |
| Energy efficiency class | | | | |
| Annual energy consumption ¹ (kWh) | 112 | 112 | 112 | 112 |
| Refrigerator net capacity including 0°C drawers (litres) | 346 | 346 | 346 | 346 |
| Refrigerator 0°C net capacity (litres) | - | - | - | - |
| Climate Class ² | SN-T | SN-T | SN-T | SN-T |
| Noise level (dB(A) re 1 pW) | 39 | 39 | 39 | 39 |
| Noise Emission Class | C | C | C | C |
| Dimensions of the product (H x W x D) (cm) | 186 x 60 x 65 | 186 x 60 x 65 | 186 x 60 x 65 | 186 x 60 x 65 |
| EAN code | 4242005216130 | 4242005202195 | 4242005208241 | 4242005202010 |
| Matching Freezer | GSN36AWFPG | GSN36VLFPP | GSN36VWFPG | GSN36VWFPG |

• = Yes - = No
¹ Actual energy consumption will depend on how the appliance is used and where it is located² Climate zone SN = designed to operate in ambient temperatures of +10°C to 32°C. Climate zone T = designed to operate in ambient temperatures of +18°C to 43°C.
Data valid in this table as of April 2023. Subject to modification without prior notice.

| TYPE | FRIDGE | FRIDGE | FRIDGE | FRIDGE |
|--|--------------------------------|--------------------------------|--------------------------------|-------------------------------|
| DESIGN FAMILY | SERIES 4 | SERIES 4 | SERIES 4 | SERIES 2 |
| MODEL | KSV33VLEPG | KSV33VWEPG | KSV29VLEP | KSV29NWEPG |
| Colour | Inox look | White | Inox look | White |
| DESIGN FEATURES | | | | |
| Colour of side panels | Chrome inox metallic | White | Chrome inox metallic | White |
| Door handle type | Vertical Bar | Vertical Bar | Vertical Bar | Vertical Bar |
| Temperature display | Interior / Electronic LED | Interior / Electronic LED | Interior / Electronic LED | Interior / Electronic LED |
| Reversible door, hinged on left | • | • | • | • |
| Latest Condenser Technology | • | • | • | • |
| Home Connect / Built in cameras | - | - | - | - |
| FOOD FRESHNESS SYSTEM | | | | |
| Food preservation container | 1 x VitaFresh vegetable drawer | 1 x VitaFresh vegetable drawer | 1 x VitaFresh vegetable drawer | 1 x MultiBox vegetable drawer |
| KEY FEATURES – FRIDGE SECTION | | | | |
| LED light | • | • | • | • |
| Super Cool function | • | • | • | • |
| Bottle rack | • | • | • | - |
| Number of glass safety shelves | 7 | 7 | 6 | 5 |
| Number of adjustable shelves | 5 | 5 | 4 | 4 |
| Number of door bins large / small | 2 / 2 | 2 / 2 | 1 / 2 | 1 / 3 |
| flex Shelf | - | - | - | - |
| Dairy compartment | • | • | • | - |
| Number of egg racks | 3 | 3 | 3 | 3 |
| FUNCTIONS | | | | |
| Door open warning signal / malfunction | - | - | - | - |
| Holiday / Sabbath mode | - | - | - | - |
| PERFORMANCE AND CONSUMPTION | | | | |
| Energy efficiency class | | | | |
| Annual energy consumption ¹ (kWh) | 113 | 113 | 109 | 109 |
| Refrigerator net capacity including 0°C drawers (litres) | 324 | 324 | 290 | 290 |
| Refrigerator 0°C net capacity (litres) | 324 | - | - | - |
| Climate Class ² | SN-T | SN-T | SN-T | SN-T |
| Noise level (dB(A) re 1 pW) | 39 | 39 | 39 | 39 |
| Noise Emission Class | C | C | C | C |
| Dimensions of the product (H x W x D) (cm) | 176 x 60 x 65 | 176 x 60 x 65 | 161 x 60 x 65 | 161 x 60 x 65 |
| EAN code | 4242005320974 | 4242005205721 | 4242005205677 | 4242005205080 |
| Matching Freezer | GSN33VLEP | GSN33VWEPG | GSN29VLEP | GSN29VWEVG |

• = Yes - = No
¹ Actual energy consumption will depend on how the appliance is used and where it is located² Climate zone SN = designed to operate in ambient temperatures of +10°C to 32°C. Climate zone T = designed to operate in ambient temperatures of +18°C to 43°C.
Data valid in this table as of April 2023. Subject to modification without prior notice.



| TYPE | FREEZER | FREEZER | FREEZER | FREEZER | FREEZER | FREEZER |
|--|------------------------|---------------------------|---------------------------|---------------------------|---------------------------|---------------------------|
| DESIGN FAMILY | SERIES 4 | SERIES 4 | SERIES 4 | SERIES 4 | SERIES 4 | SERIES 4 |
| MODEL | GSN36VLFPG | GSN36VWFPG | GSN33VLEPG | GSN33VWEPG | GSN29VLEP | GSN29VWEVG |
| Colour | Inox look | White | Inox look | White | Inox look | White |
| DESIGN FEATURES | | | | | | |
| Frost-free system | No Frost | No Frost | No Frost | No Frost | No Frost | No Frost |
| Colour of side panels | White | White | Chrome inox metallic | White | Chrome inox metallic | White |
| Door handle type | Vertical Bar | Vertical Bar | Vertical Bar | Vertical Bar | Vertical Bar | Vertical Bar |
| Temperature display | Exterior / Digital LED | Interior / Electronic LED | Interior / Electronic LED | Interior / Electronic LED | Interior / Electronic LED | Interior / Electronic LED |
| Reversible door, hinged on right | ● | ● | ● | ● | ● | ● |
| Latest Condenser Technology | ● | ● | ● | ● | ● | ● |
| Home Connect / Built in cameras | - | - | - | - | - | - |
| FOOD FRESHNESS SYSTEM | | | | | | |
| MultiAirflow system | ● | ● | ● | ● | ● | ● |
| KEY FEATURES – FREEZER SECTION | | | | | | |
| LED light | ● | ● | ● | ● | ● | ● |
| Number of freezer compartments | 7 | 7 | 7 | 7 | 6 | 6 |
| Number of freezer drawers including bigBox | 5 | 5 | 4 | 4 | 4 | 5 |
| Number of freezer flaps / easyAccess shelves | 2 / - | 2 / - | - / 3 | - / 3 | - / 2 | 1 / - |
| Number of glass safety shelves | 6 | 6 | 6 | 6 | 5 | 5 |
| Super Freeze function | ● | ● | ● | ● | ● | ● |
| Twist Ice Box | ● | - | - | - | - | - |
| Number of ice packs / ice cube trays | 2 / 1 | 2 / 1 | 2 / 1 | 2 / 1 | 1 / 1 | 1 / 1 |
| FUNCTIONS | | | | | | |
| Door open warning signal / malfunction | ● | ● | ● | ● | ● | ● |
| Holiday / Sabbath mode | - | - | - | - | - | - |
| PERFORMANCE AND CONSUMPTION | | | | | | |
| Energy efficiency class | | | | | | |
| Annual energy consumption ¹ (kWh) | 237 | 237 | 229 | 229 | 214 | 214 |
| Freezer net capacity (litres) | 242 | 242 | 225 | 225 | 200 | 200 |
| Climate Class ² | SN-T | SN-T | SN-T | SN-T | SN-T | SN-T |
| Storage period in event of power failure (hours) | 9 | 9 | 9 | 9 | 9 | 9 |
| Noise level (dB(A) re 1 pW) | 39 | 39 | 39 | 39 | 39 | 39 |
| Noise Emission | C | C | C | C | C | C |
| Dimensions of the product (H x W x D) (cm) | 186 x 60 x 65 | 186 x 60 x 65 | 176 x 60 x 65 | 176 x 60 x 65 | 161 x 60 x 65 | 161 x 60 x 65 |
| EAN code | 4242005321377 | 4242005193721 | 4242005320462 | 4242005247981 | 4242005247929 | 4242005247943 |
| Matching Fridge | - | KSV36VW3PG | KSV33VLEP | KSV33VWEPG | KSV29VLEP | KSV29VWEVG |

● = Yes - = No
¹ Actual energy consumption will depend on how the appliance is used and where it is located ² Climate zone SN = designed to operate in ambient temperatures of +10°C to 32°C. Climate zone T = designed to operate in ambient temperatures of +18°C to 43°C.
Data valid in this table as of April 2023. Subject to modification without prior notice.

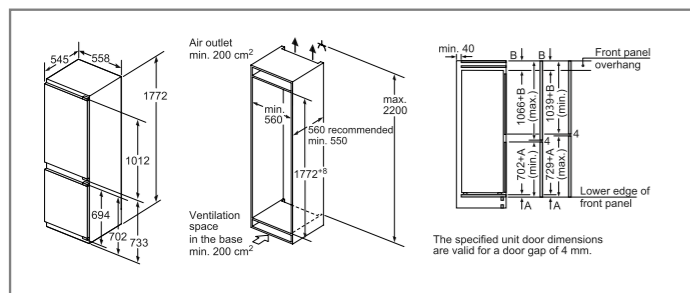


| TYPE | UNDERCOUNTER FRIDGE | UNDERCOUNTER FRIDGE | UNDERCOUNTER FREEZER |
|--|-------------------------------|-------------------------------|-----------------------|
| DESIGN FAMILY | SERIES 2 | SERIES 2 | SERIES 2 |
| MODEL | KTR15NWFAG | KTL15NWFAG | GTV15NWEAG |
| Colour | White | White | White |
| DESIGN FEATURES | | | |
| Colour of side panels | White | White | White |
| Door handle type | Integrated Horizontal | Integrated Horizontal | Integrated Horizontal |
| Temperature display | - | - | - |
| Reversible door, hinged on right | ● | ● | ● |
| Latest Condenser Technology | - | - | - |
| Home Connect / Built in cameras | - | - | - |
| FOOD FRESHNESS SYSTEM | | | |
| Food preservation container | 1 x MultiBox vegetable drawer | 1 x MultiBox vegetable drawer | - |
| KEY FEATURES – FRIDGE SECTION | | | |
| LED light | ● | ● | - |
| Super Cool function | - | - | - |
| Bottle rack | - | - | - |
| Number of glass safety shelves | 3 | 2 | - |
| Number of adjustable shelves | 1 | 1 | - |
| Number of door bins large / small | 1 / 2 | 1 / 2 | - |
| Dairy compartment | - | - | - |
| Number of egg racks | 2 | 2 | - |
| KEY FEATURES – FREEZER SECTION | | | |
| Number of freezer compartments | - | 1 | 3 |
| Super Freeze function | - | - | - |
| Number of ice packs / ice cube trays | - | - | 1 |
| FUNCTIONS | | | |
| Door open warning signal / malfunction | - | - | - |
| Holiday / Sabbath mode | - | - | - |
| PERFORMANCE AND CONSUMPTION | | | |
| Energy efficiency class | | | |
| Annual energy consumption ¹ (kWh) | 94 | 142 | 142 |
| Total unit net capacity (litres) | 136 | 120 | 83 |
| Refrigerator net capacity (litres) | 136 | 106 | - |
| Freezer net capacity (litres) | - | 14 | 83 |
| Climate Class ² | SN-T | SN-T | SN-T |
| Noise level (dB(A) re 1 pW) | 39 | 39 | 39 |
| Noise emission | C | C | C |
| Dimensions of the product (H x W x D) (cm) | 85 x 56 x 58 | 85 x 56 x 58 | 85 x 56 x 58 |
| EAN code | 4242005209125 | 4242005209095 | 4242005238934 |

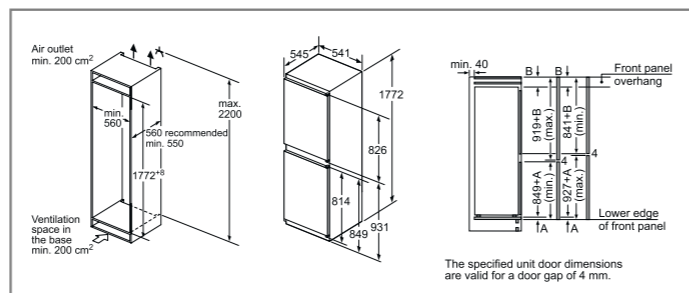
● = Yes - = No
¹ Actual energy consumption will depend on how the appliance is used and where it is located ² Climate zone SN = designed to operate in ambient temperatures of +10°C to 32°C. Climate zone T = designed to operate in ambient temperatures of +18°C to 43°C.
Data valid in this table as of April 2023. Subject to modification without prior notice.

Integrated cooling technical diagrams

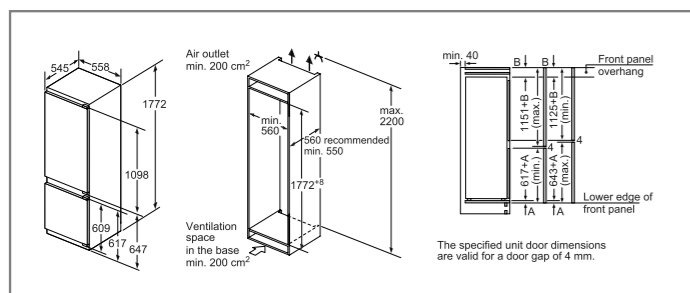
Fridge freezers, fridges and freezers



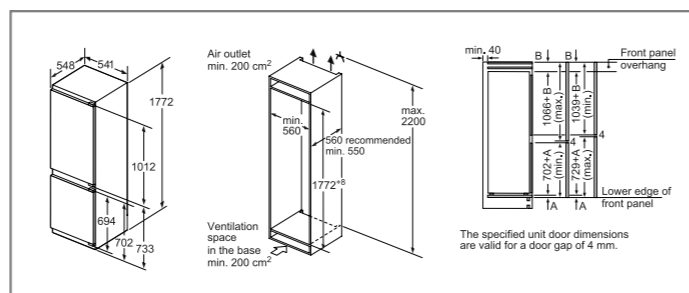
KIF86PFE0



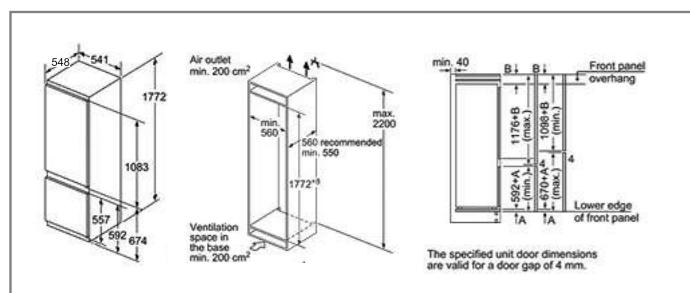
KIN85NFF0G, KIN85NSF0G



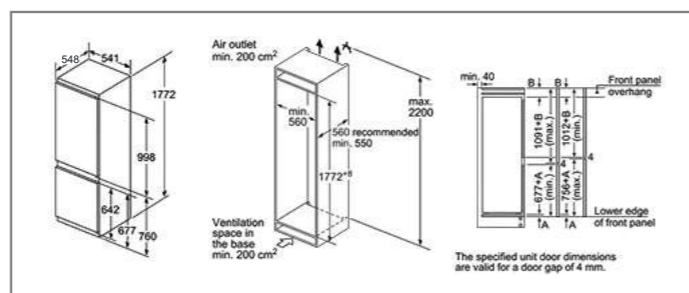
KIS87AFE0G, KIV87VFE0G



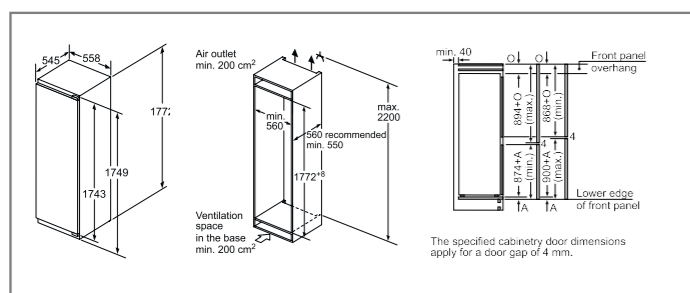
KIN86NFF0G, KIN86HFE0, KIS86AFE0G, KIN86VFE0G,



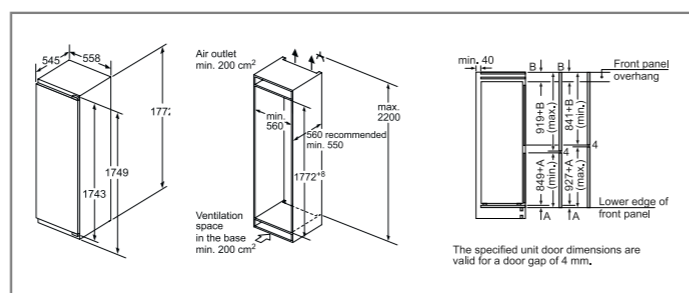
KIV87VSE0G, KIV87NSF0G



KIV86VSE0G, KIN86VSE0G, KIN86NSF0G



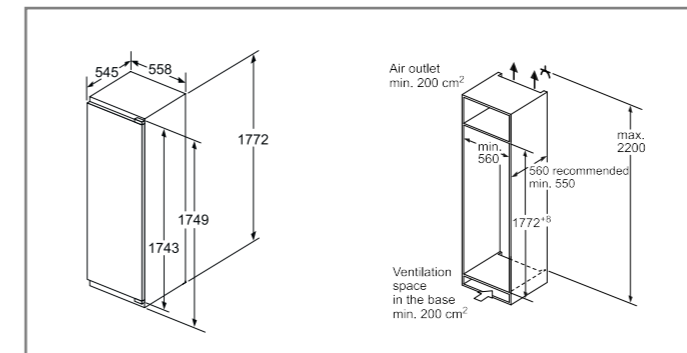
KIF82PFF0



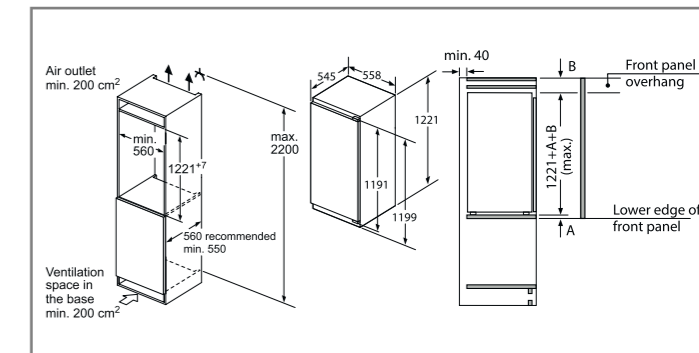
KIF81PFE0, KIR81AFE0G

Integrated cooling technical diagrams

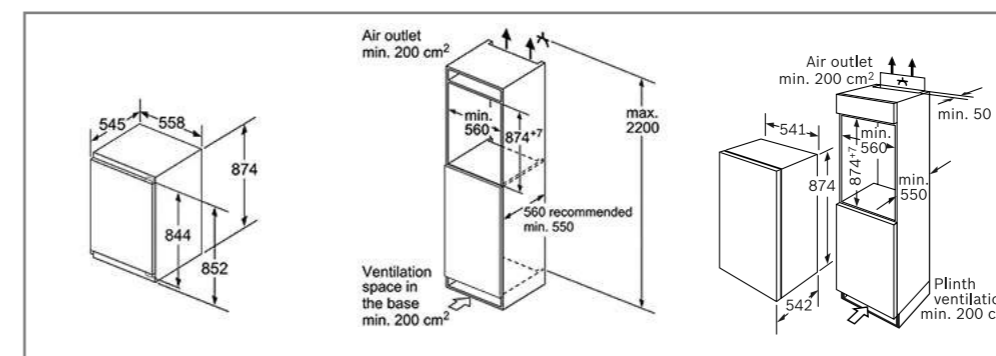
Single door fridges and freezers



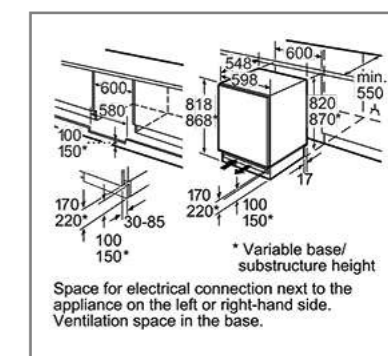
KIF82PFF0, KIF81PFE0, KIR81AFE0G, KIL82AFF0G, KIR81VSF0G, KIL82VSF0, GIN81AEF0G, GIN81HCE0G



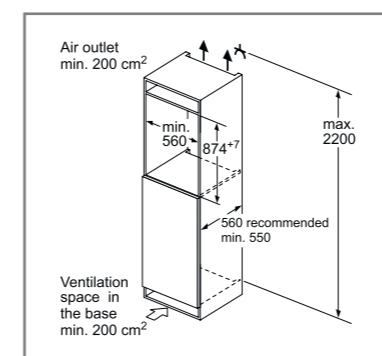
KIR41AFF0G, KIR41NSE0G



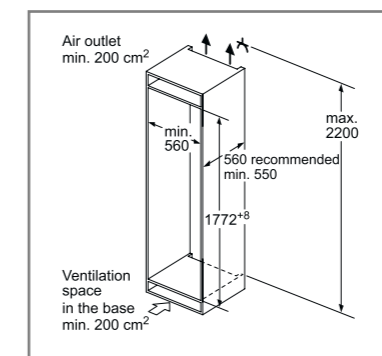
KIR21ADD0, KIR21AFF0G, KIR18NSF0G, GIV21VSE0G



KUL15AFF0G, GUN21VFE0G



GIV21AFE0



KIN86ADD0G

Matching fridges & freezers

| Freezer Model | Height | Matching Fridges |
|-------------------|--------|-----------------------------------|
| GIV21VSE0G | 87cm | KIR21ADD0, KIR21AFF0G, KIR18NSF0G |
| GIV21AFE0 | 87cm | KIR21AFF0G |

| Freezer Model | Height | Matching Fridges |
|--|---------|---|
| GIN81HCE0G GIN81AEF0G | 177.2cm | KIF82PFF0, KIF81PFE0, KIR81AFE0G, KIL82AFF0G, KIL82AFF0G, KIR81VSF0G, KIL82VSF0 |
| GUD15AFF0G | 82cm | KUL15AFF0G, KUR15AFF0G |

All diagram measurements are in millimetres (mm)

We try to keep up to date with constant technological improvements, so from time to time we may update installation guidelines. Therefore we strongly recommend that you download the latest installation guidelines from www.bosch-home.ie. Line drawings are for guidance only, and we recommend that you refer to the latest installation guidelines. Though every care is taken to ensure instructions are correct at the time of printing, Bosch cannot accept responsibility for incorrect planning or installation as a result of the use of these line drawings.

Explore more at bosch-home.ie

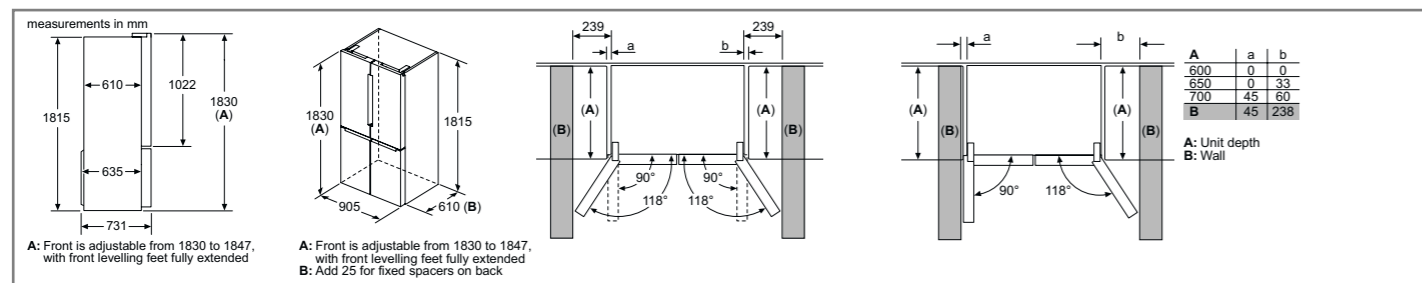
All diagram measurements are in millimetres (mm)

We try to keep up to date with constant technological improvements, so from time to time we may update installation guidelines. Therefore we strongly recommend that you download the latest installation guidelines from www.bosch-home.ie. Line drawings are for guidance only, and we recommend that you refer to the latest installation guidelines. Though every care is taken to ensure instructions are correct at the time of printing, Bosch cannot accept responsibility for incorrect planning or installation as a result of the use of these line drawings.

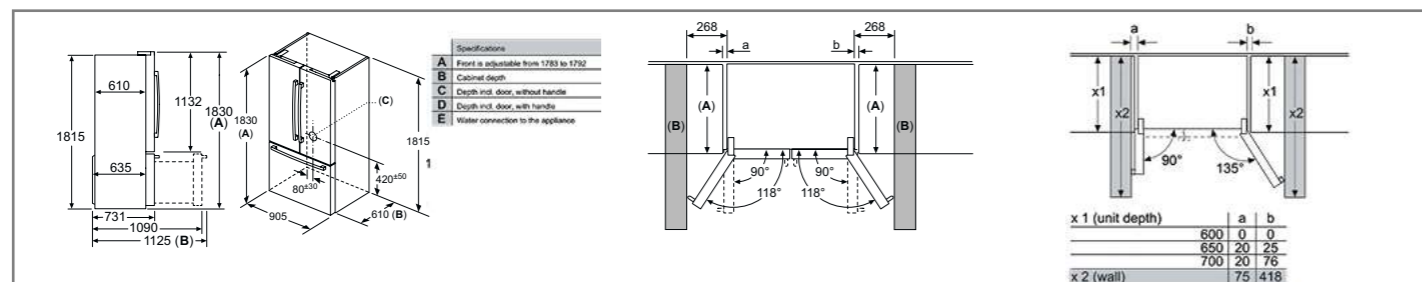
Making **life easy** through innovative technologies

Cooling technical diagrams

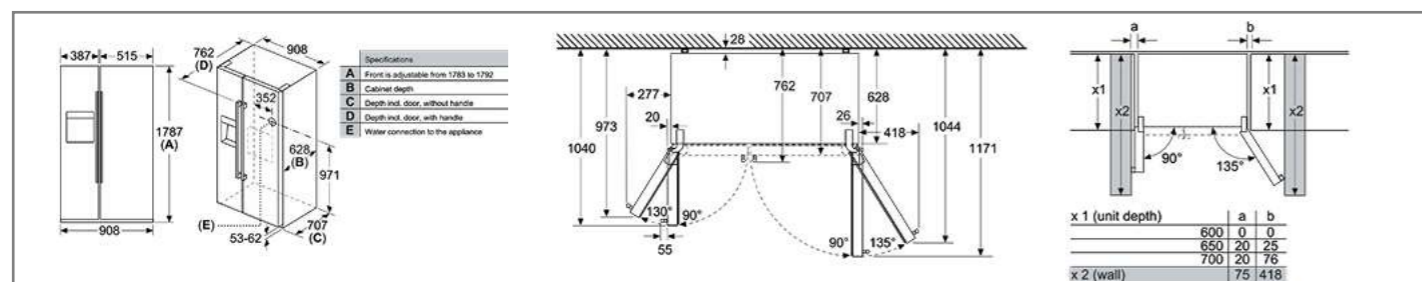
American-style & multi-door fridge freezers



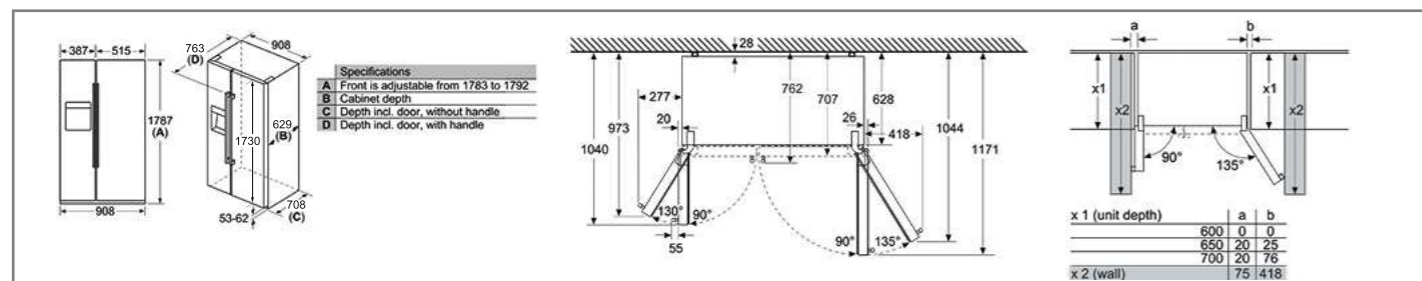
KFN96APEAG, KFN96AXEA, KFN96VPEAG



KFF96PIEP



KAG93AIEPG, KAD93VIFPG, KAD93VBFP, KAI93VIFPG



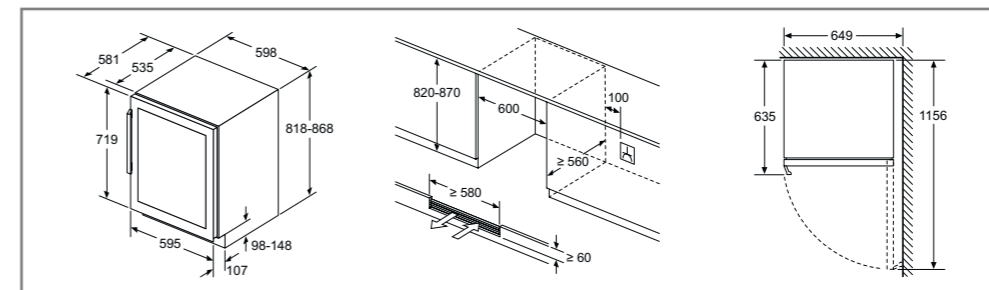
KAN93VIFPG

All diagram measurements are in millimetres (mm)

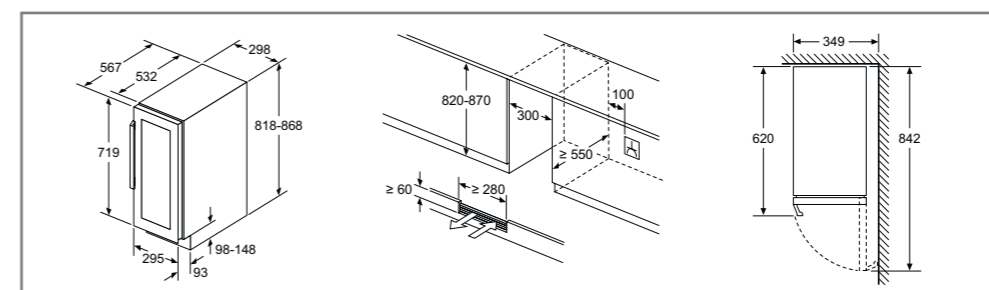
We try to keep up to date with constant technological improvements, so from time to time we may update installation guidelines. Therefore we strongly recommend that you download the latest installation guidelines from www.bosch-home.ie. Line drawings are for guidance only, and we recommend that you refer to the latest installation guidelines. Though every care is taken to ensure instructions are correct at the time of printing, Bosch cannot accept responsibility for incorrect planning or installation as a result of the use of these line drawings.

Explore more at bosch-home.ie

Wine cabinets



KUW21AHGOG



KUW20VHF0G

Cooling accessories

| COOLING ACCESSORIES | WHITE | STAINLESS STEEL |
|---|-----------|-----------------|
| 203cm Joining strips | | |
| Model | KSZ39AW00 | KSZ39AL00 |
| 122 X 58 Stainless steel door panel with bar handle (unbranded) | | |
| Model | | KFZ40SX0 |

All diagram measurements are in millimetres (mm)

We try to keep up to date with constant technological improvements, so from time to time we may update installation guidelines. Therefore we strongly recommend that you download the latest installation guidelines from www.bosch-home.ie. Line drawings are for guidance only, and we recommend that you refer to the latest installation guidelines. Though every care is taken to ensure instructions are correct at the time of printing, Bosch cannot accept responsibility for incorrect planning or installation as a result of the use of these line drawings.

Making **life easy** through innovative technologies

Vacuum cleaners

Bosch looks back on over 80 years of vacuum cleaner experience, and more than 50 years of battery expertise. The result: innovative technology that makes cleaning your home as easy, and enjoyable, as possible. Performance, convenience, or usability, the right vacuum cleaner from Bosch exceeds even the highest expectations.



Model shown: BCS712GB



The pioneers of power

Today, Bosch's batteries are unrivalled, offering compact and lightweight long-life batteries that consistently deliver on power, performance and efficiency – making Bosch the number one choice for cordless technology in the home and garden. The exchangeable **Power4All System** only requires a single battery pack, which means complete flexibility when charging. The battery is part of our Power4All system so it's compatible with more than 20 power tools and lawn and garden products from Bosch.

Our range of vacuum cleaners

Whether you need your vacuum to be flexible enough to tackle those hard to reach places, quick charging to use when time is tight, or powerful enough to take on your whole house from floor to ceiling, the Bosch range of vacuums has a model to suit you.



Model shown: BCS71PETGB



Model shown: BBH6POWGB



Model shown: BBH3280GB

The Unlimited

The never ending one. Works on so many levels.

Provides the perfect combination of high performance and flexibility. Powered by the Power for All Alliance the battery is exchangeable and is one of the largest cross-brand 18V battery systems in the market. Thorough but flexible vacuuming with the most compact and lightest cordless multi-use handstick the Unlimited range guarantees effective cleaning on all kinds of floors.

The Athlet

The powerful one. Less effort, with more cleaning power.

Offers superior power output, meaning powerful suction on all surfaces, allowing you to tackle the toughest household cleaning tasks with ease. With a range of power options, the Athlet charges in just 6 hours, ensuring runtime and performance is at hand just when you need it.

The Flexxo

The flexible one. Perfect for those hard to reach spaces.

Convenient, fast and thorough, the cordless Flexxo 2in1 handheld and handstick vacuum cleaner is lightweight and compact.

Bosch Motor Technology – Power made in Germany.

At Bosch we design motors to make a difference. And because we not only expect a vacuum cleaner to deliver optimal results but also to be long-lasting, we guarantee you high performance with our free 10 years motor warranty*.

*Terms of warranty can be found on bosch-home.ie





Coffee machines

Select your coffee intensity at the push of a button.

The TASSIMO FINESSE coffee machine enables you too select a more intense drink simply with a 3 second press of the start button for IntensityBoost to provide a stronger drink. Enjoy a huge choice of over 50 drinks, including big-brand favourites like Costa, L'Or and Kenco, to enjoy at home with family and friends. And once enjoyed your Tassimo pods are easy to recycle using the free Podback recycling service.

INTELLIBREW barcode reader.

Thanks to patented barcode technology INTELLIBREW™, the drink specialities from Tassimo are always perfectly prepared with the correct amount of water, at the right temperature and for the right brewing time.

TO FIND OUT MORE ABOUT OUR TASSIMO RANGE, PLEASE SCAN THE QR CODE BELOW:



featuring Tassimo INTELLIBREW™

Integrated descaling system – for a long appliance life and excellent taste.

Auto-off – safe and energy-saving, as the device switches off automatically after 40 minutes of keeping it warm.

Removable water tank – easy and quick to fill directly under the tap.

DualHeating System

Coffee must be brewed at the correct temperature to ensure that the full aroma can develop. Two powerful sensor-controlled heating systems ensure that the brewing water is heated to the ideal temperature of 92-96 °C. The second heating system keeps the coffee warm at 80-85 °C.



TO FIND OUT MORE ABOUT OUR FILTER COFFEE MACHINE RANGE, PLEASE SCAN THE QR CODE BELOW:



Food preparation

Our multi-use stand mixers, food mixers and processors are packed with innovative, labour-saving technology so you can chop, blend, shed, mix and whisk your way more quickly through your food preparation task.



TO FIND OUT MORE ABOUT OUR FOOD PREP RANGE, PLEASE SCAN THE QR CODE BELOW:



With the TouchControl display you can choose between 7 temperature settings from 70 °C to boiling.

TO FIND OUT MORE ABOUT OUR KETTLE AND TOASTER RANGE, PLEASE SCAN THE QR CODE BELOW:



Kettles & toasters

Breakfast at your fingertips.

With the elegant design and the latest heating technology that features across our range, the Sky kettle and toaster will help you start every morning the right way.

Download a copy of our catalogues online at www.bosch-home.co.uk or call **0344 892 8979**

Contact Bosch Customer Service

To arrange an engineer visit, obtain product advice or order replacement spare parts or accessories visit www.bosch-home.co.uk or call **0344 892 8979**

Republic of Ireland customers should visit www.bosch-home.ie to arrange an engineer's visit, or to order spare parts and accessories, or call **(01) 450 2655**



@boschhomeIE



boschhomeIreland



BoschHomeUKandIreland



Bosch Home UK and Ireland

Calls are charged at the basic rate, please check with your telephone service provider for exact charges.

Disclaimer: This brochure is current as from the publication date and supersedes all previous brochures for these products. This brochure should not be regarded as an infallible guide nor as an offer for sale of any particular product. Whilst BSH Home Appliances Ltd believes that all information contained within this brochure is correct at the time of going to print, no representation or warranty, express or implied, is or will be made and no responsibility or liability is or will be accepted by BSH Home Appliances Ltd in relation to the accuracy or completeness of this information and any liability is expressly disclaimed. To the extent permitted by law, BSH Home Appliances Ltd expressly excludes: i) all conditions, warranties and other terms which might otherwise be implied by statute, common law or the law of equity and ii) any liability for any direct, indirect or consequential loss or damage (including, without limitation, damages for loss of business or loss of profits) arising in contract, tort or otherwise from the use of or reliance on any information contained within this brochure or from any action or decision taken as a result of such use or reliance. BSH Home Appliances Ltd reserves the right to modify technical data and all other information contained within this brochure without notice. All rights reserved. No part of this publication may be reproduced in any form or without the prior written permission of BSH Home Appliances Ltd. All colour variations are due to the limitations of the printing process. We recommend a visit to a Bosch dealer to confirm that specifications and colours are to your satisfaction.

June 2023.

BSH Home Appliances Limited
Grand Union House
Old Wolverton Road, Wolverton
Milton Keynes MK12 5PT
www.bosch-home.co.uk

BSH Home Appliances Limited
M50 Business Park
Ballymount, Dublin 12
Tel: 1890 626 041
www.bosch-home.ie